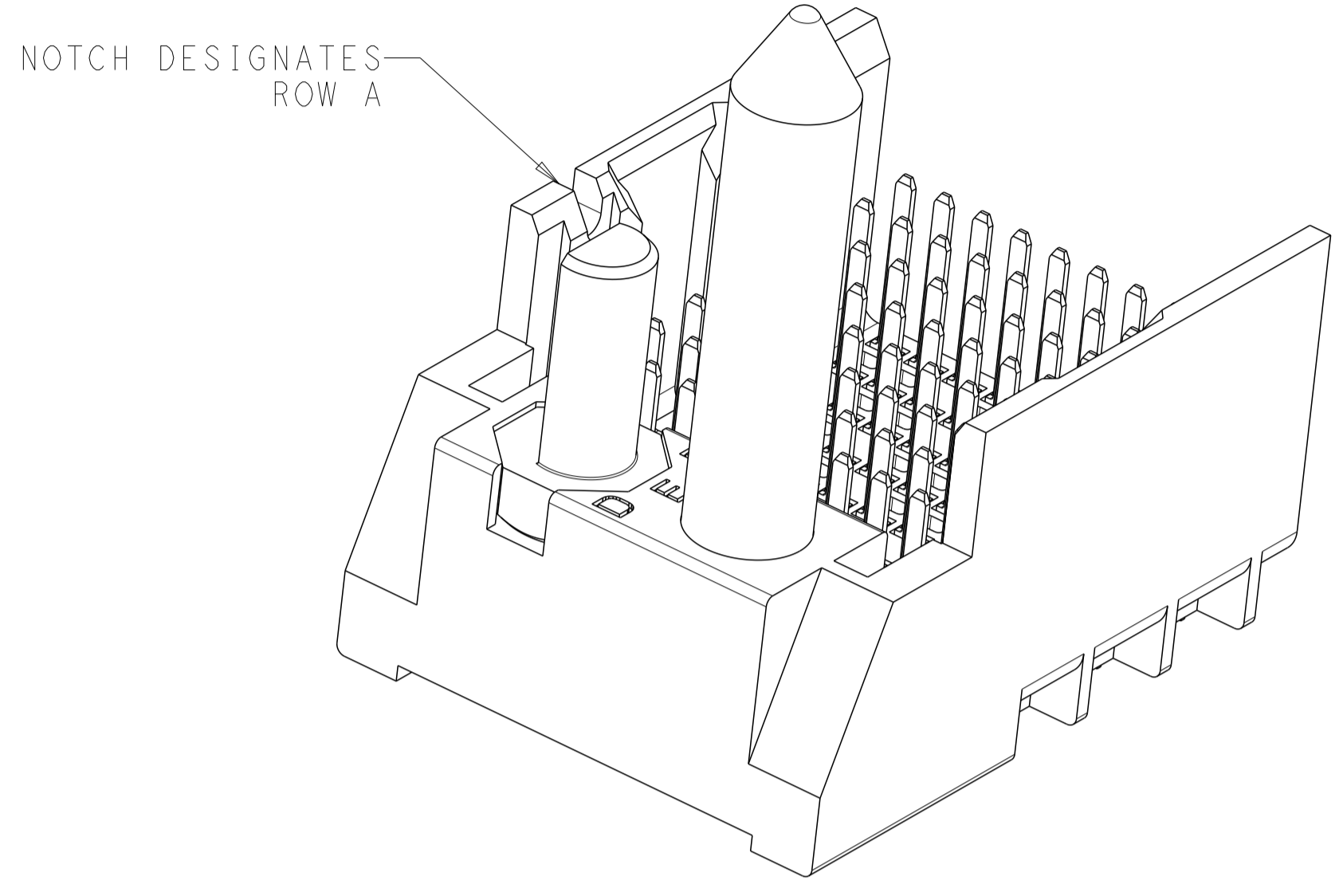
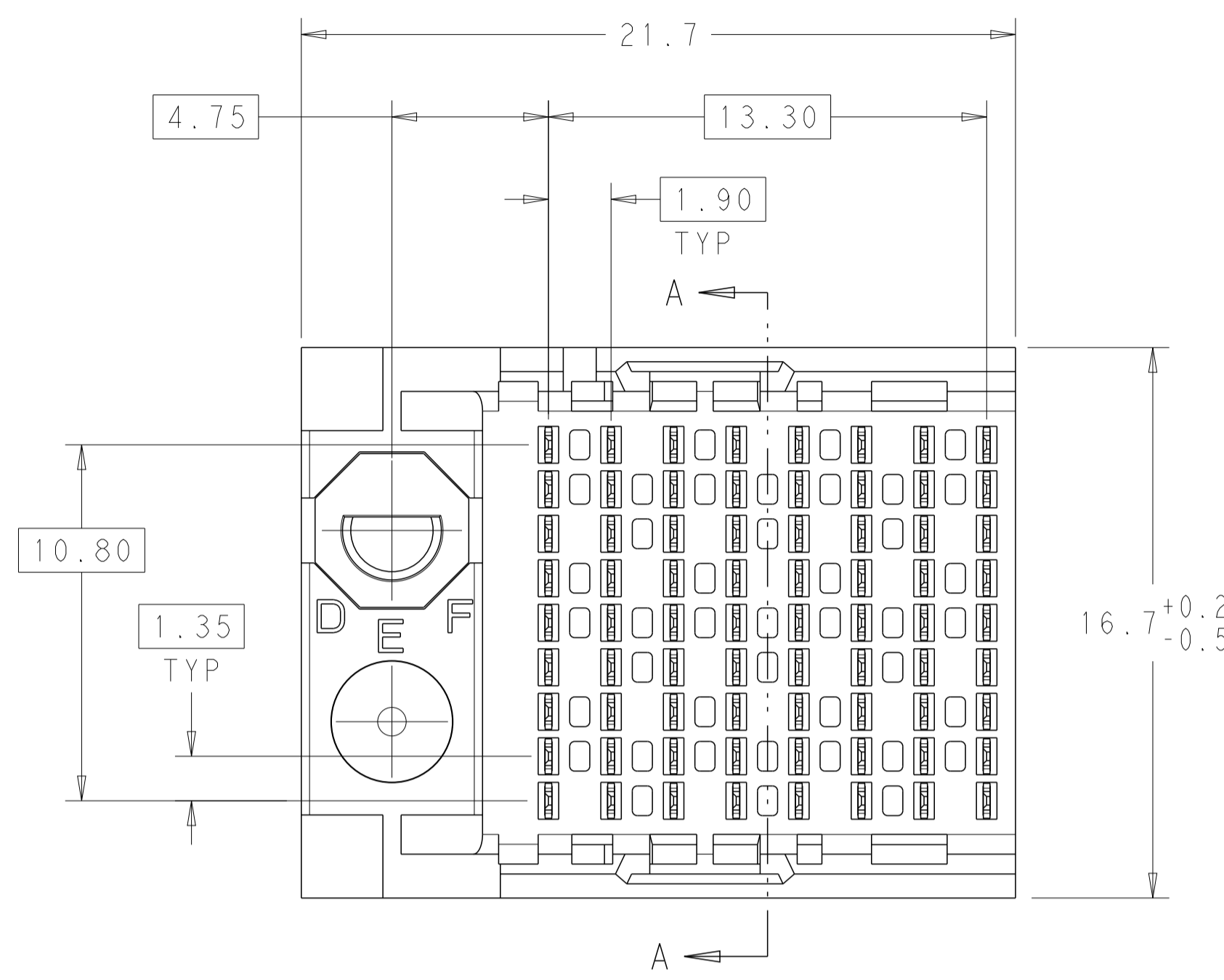
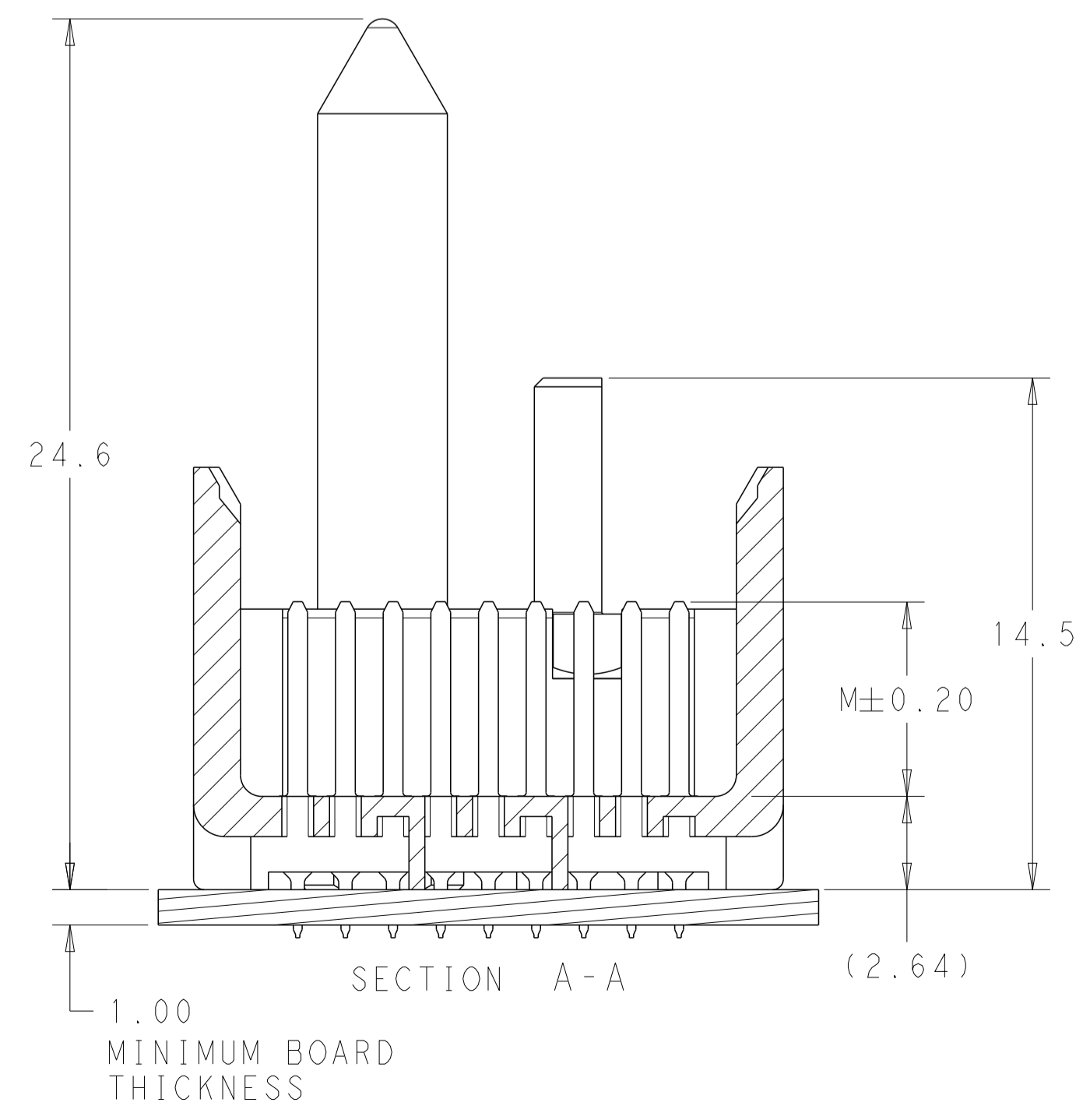
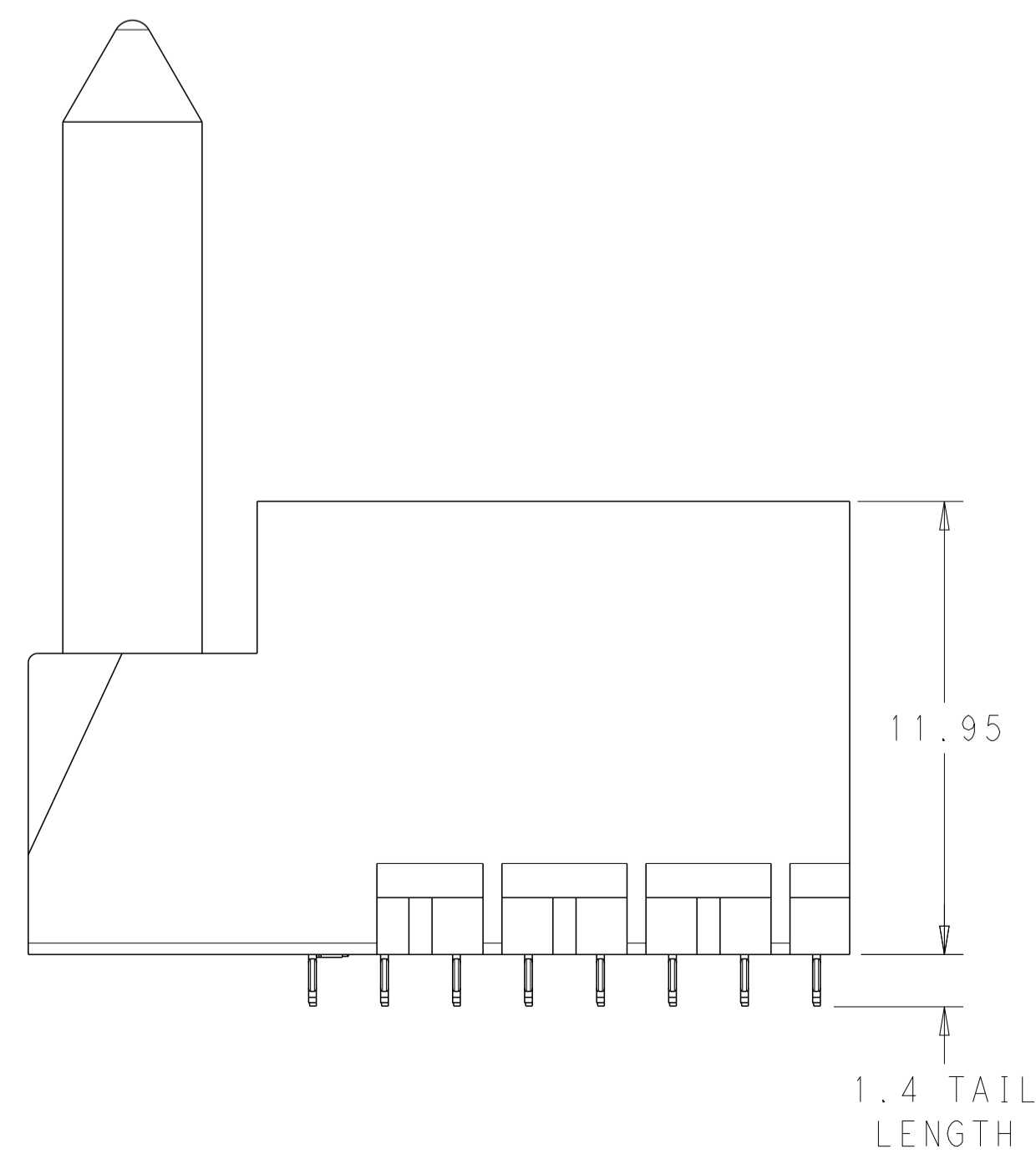
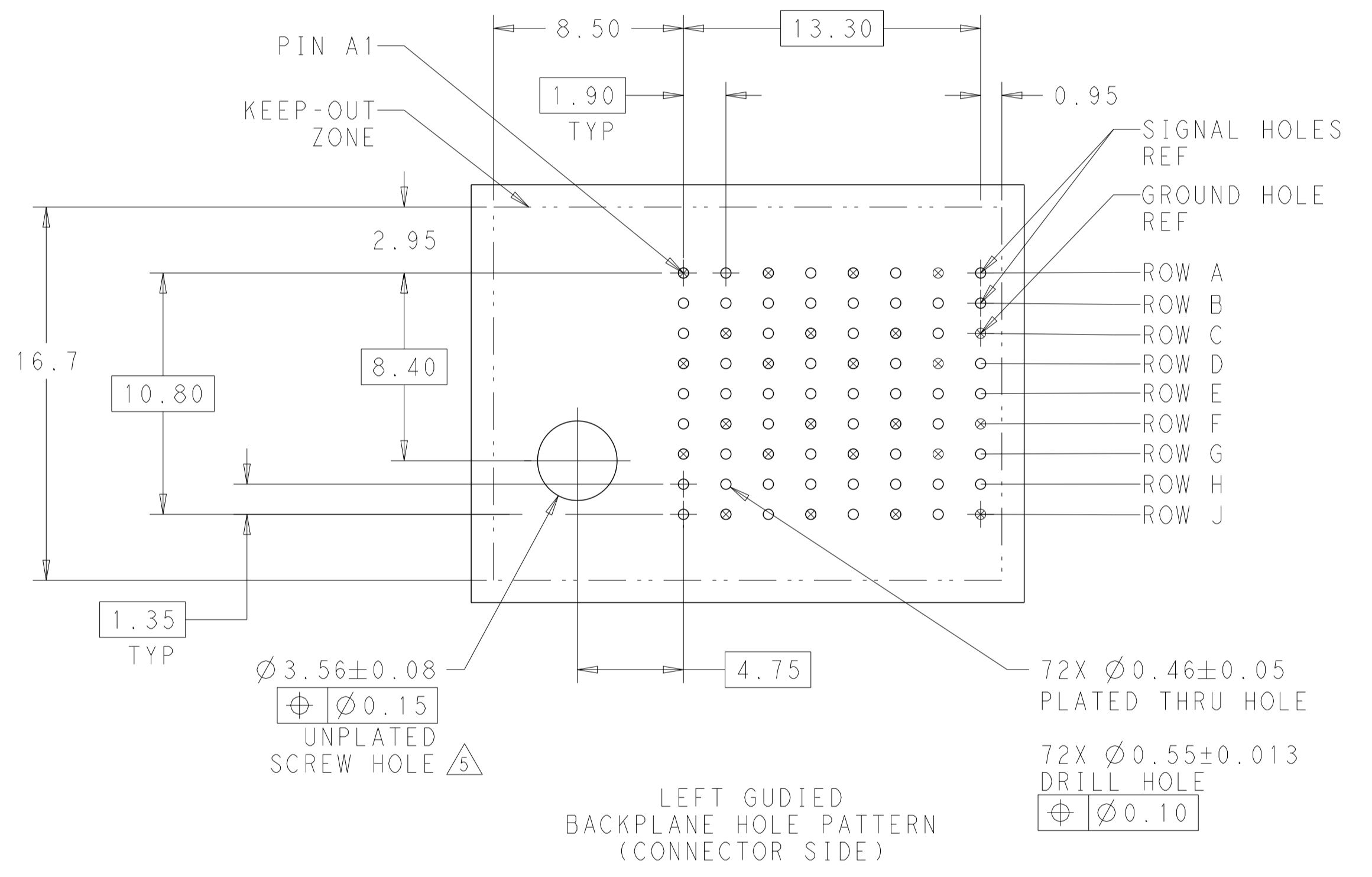


LOC		DIST		REVISIONS			
AD	00	P	LTH	DESCRIPTION	DATE	DWN	APVD
		2		KEY POSITION UPDATED	26 JUN 2013	KH	DD



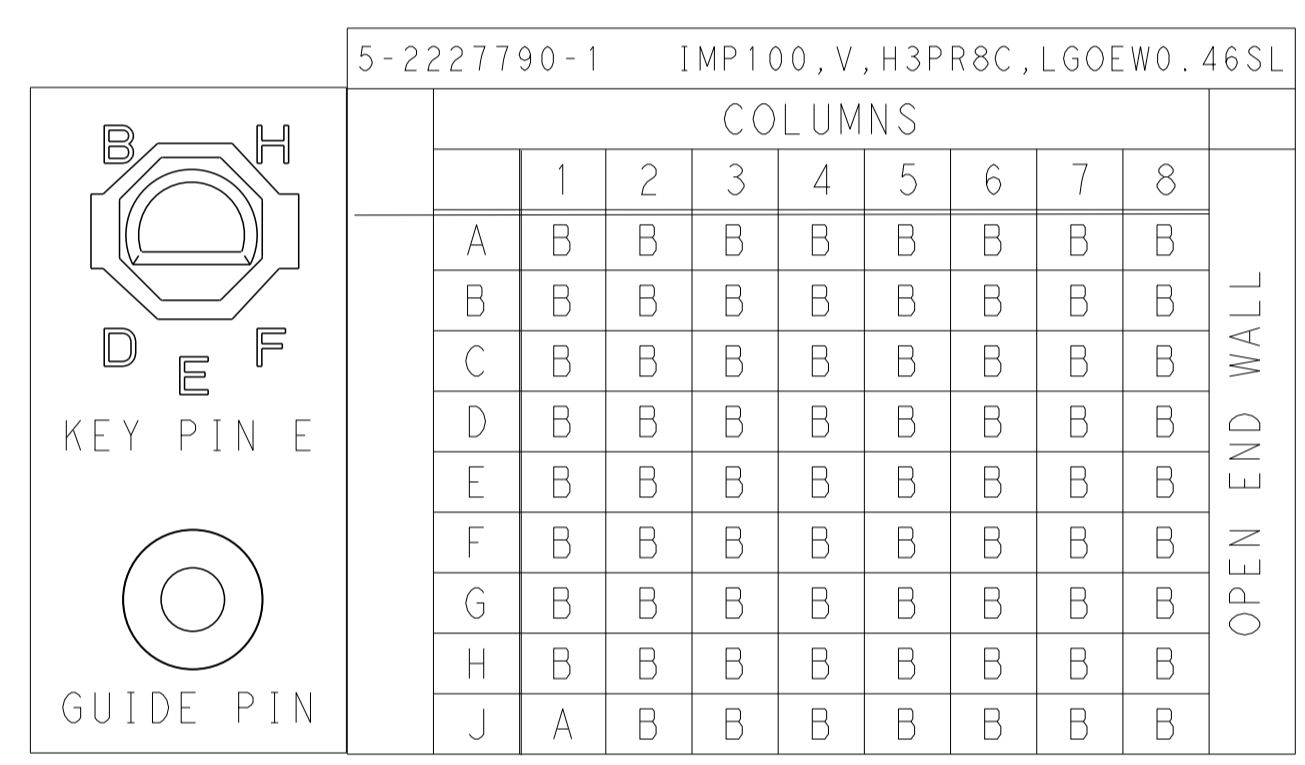
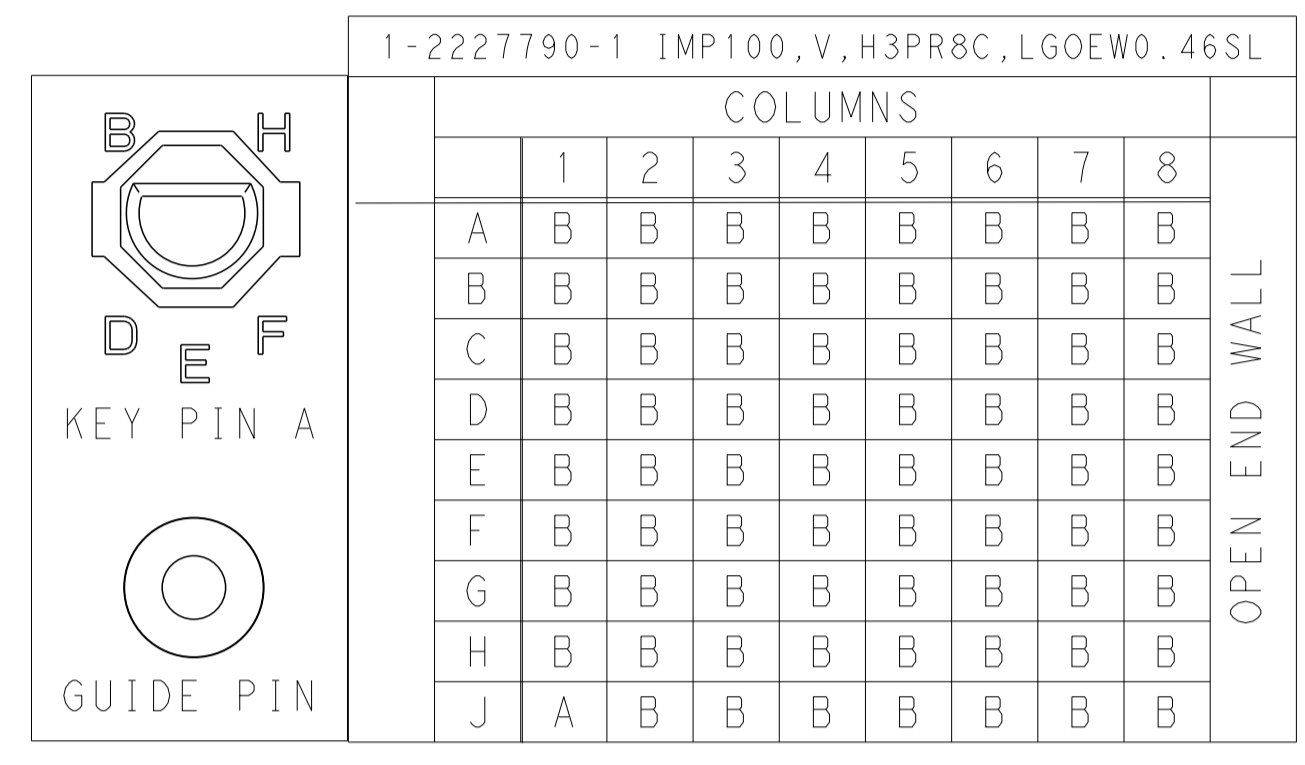
- 1 MATERIAL:  
HOUSING: LCP, GLASS FILLED, UL94V-0.  
TERMINALS: HIGH PERFORMANCE COPPER ALLOY.
- 2 FINISH:  
30µ" MIN GOLD IN CONTACT AREA. SELECTIVE TIN ON PCB TAILS, NICKEL OVERALL.
- 3 FINISH:  
30µ" MIN GOLD IN CONTACT AREA. SELECTIVE TIN-LEAD ON PCB TAILS, NICKEL OVERALL.
- 4. SCREWS PACKAGED IN END OF PACKAGING TUBE.
- 5 FOR GROUNDED GUIDE PIN USE Ø3.56±0.08 PTH, Ø3.66 DRILL, AND Ø6.5 PAD.
- 6. KEYING PIN SHOWN IN POSITION A, SEE KEYING CHART ON SHEET 2 FOR OTHER POSITIONS.



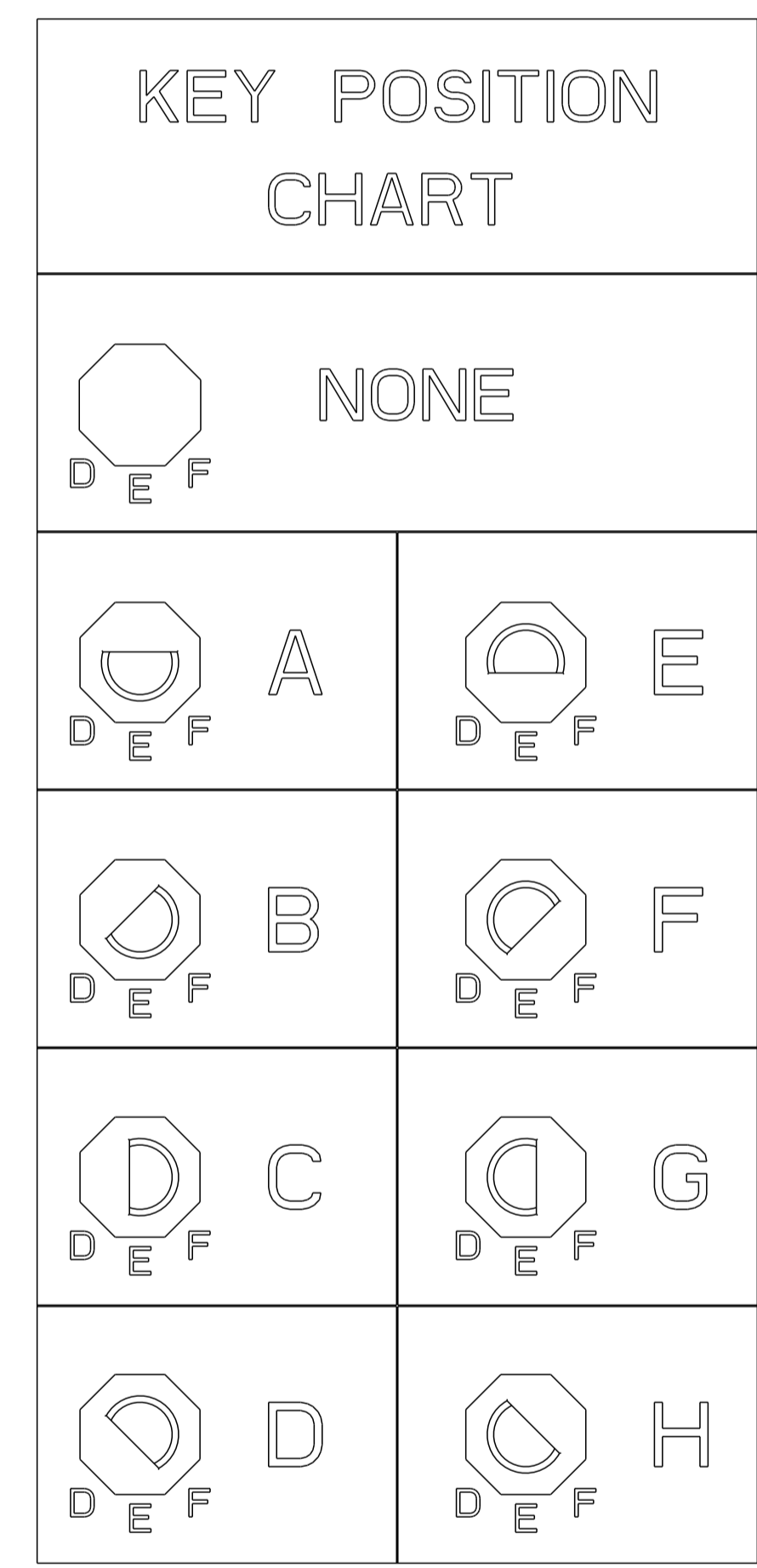
DESIGN APPROVED THIS PRINT IS  
**PRELIMINARY**  
 TO FIRST PIECE APPROVAL  
 CONTACT PRODUCT ENGINEERING  
 BEFORE USING THIS PRINT

THIS DRAWING IS A CONTROLLED DOCUMENT.		DWN: KIRAN HOLAL 24APR2013	TE Connectivity
DIMENSIONS: mm		CHK: D. DIXON 24APR2013	
TOLERANCES UNLESS OTHERWISE SPECIFIED:		APVD: D. DIXON 24APR2013	NAME: IMPACT, 3 PAIR, 8 COLUMN, HEADER LEFT GUIDED, OPEN END WALL SIGNAL MODULE, 0.46 PTH
0 PLC ± 1 PLC ±0.25 2 PLC ±0.13 3 PLC ± 4 PLC ± ANGLES ± FINISH SEE TABLE		PRODUCT SPEC	
MATERIAL: △		APPLICATION SPEC	SIZE: CAGE CODE DRAWING NO. RESTRICTED TO
		WEIGHT	A100779C=2227790
		CUSTOMER DRAWING	SCALE: 6:1 SHEET 1 OF 2 REV 2

LOC	DIST	REVISIONS			
P	LTN	DESCRIPTION	DATE	DMN	APVD
-	-	SEE SHEET 1	-	-	-



M Dimensions  
 "A" Contacts=4.5mm  
 "B" Contacts=4.9mm



REFER TO WWW.TE.COM FOR PRODUCT AVAILABILITY

2	E	5-2227790-1
2	A	1-2227790-1
FINISH	KEY POSITION	PART NUMBER

THIS DRAWING IS A CONTROLLED DOCUMENT.

DIMENSIONS:	TOLERANCES UNLESS OTHERWISE SPECIFIED:	DMN: KIRAN HOLAL 24APR2013	TE Connectivity NAME: IMPACT, 3 PAIR, 8 COLUMN, HEADER LEFT GUIDED, OPEN END WALL SIGNAL MODULE, 0.46 PTH SIZE: CAGE CODE DRAWING NO: A100779C=2227790 RESTRICTED TO:
mm	0 PLC ±0.25	CHK: D. DIXON 24APR2013	
	2 PLC ±0.13	APVD: D. DIXON 24APR2013	
	3 PLC ±	PRODUCT SPEC	
	4 PLC ±	APPLICATION SPEC	WEIGHT: -
	ANGLES ±	FINISH	CUSTOMER DRAWING
MATERIAL: -	SEE TABLE	SCALE: 5:1	SHEET 2 OF 2
		REV: 2	