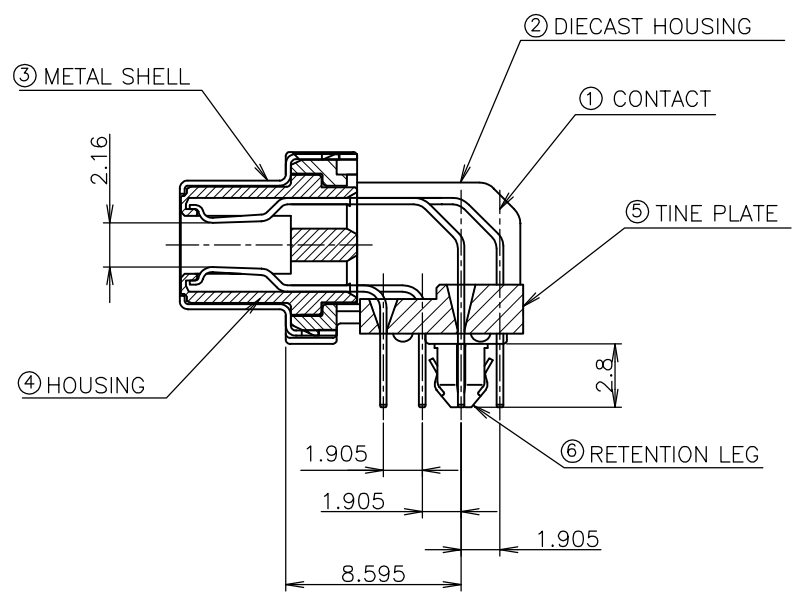
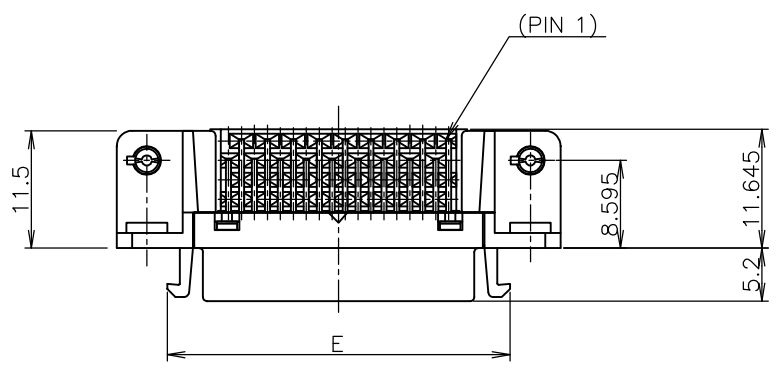
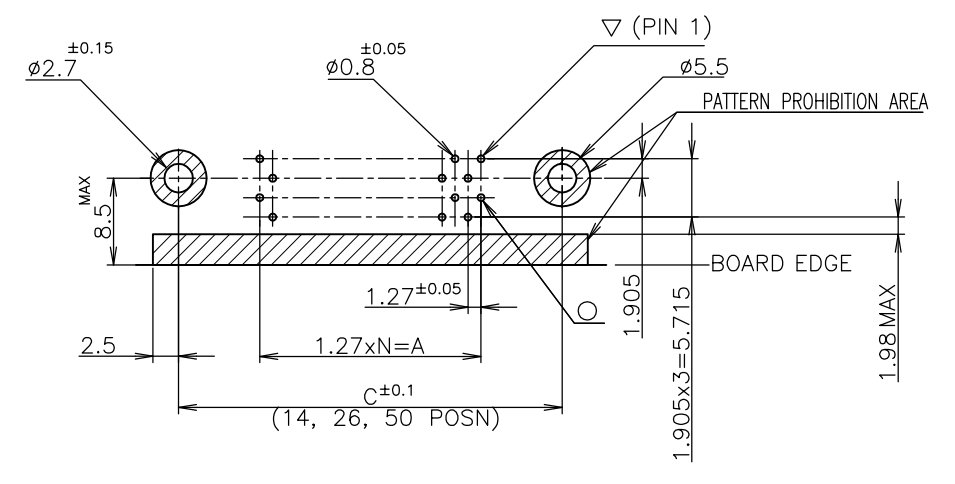
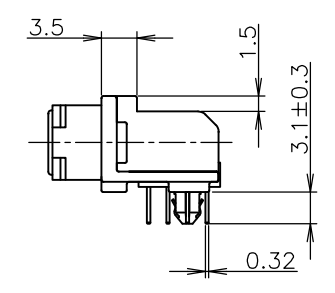
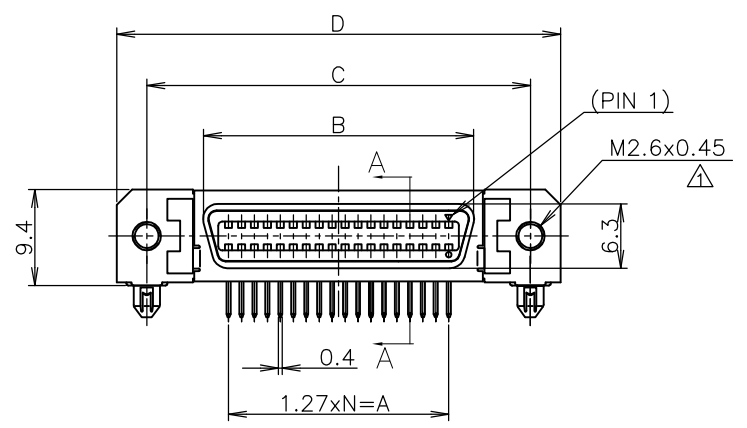


LOC	DIST	REVISIONS					
		P	LTR	DESCRIPTION	DATE	DWN	APVD
-	-	-	-	-	-	-	-

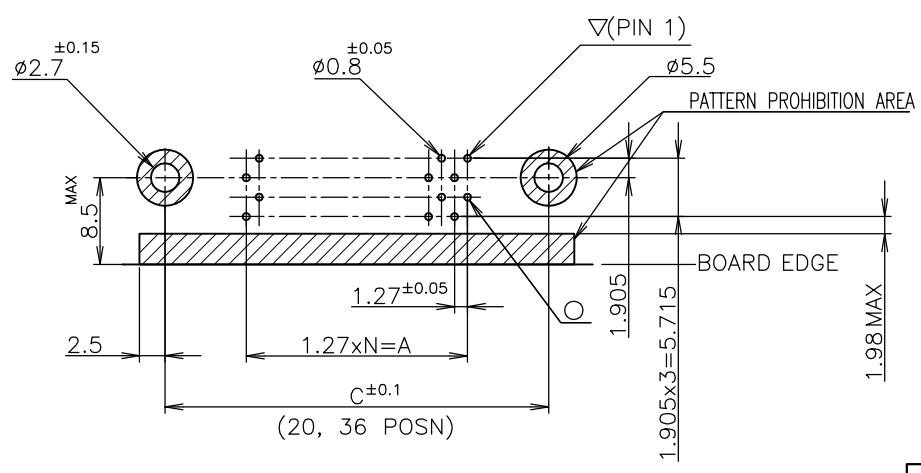
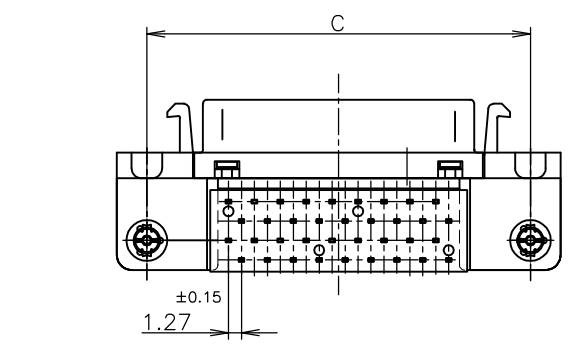


ITEM	MATERIAL	FINISH
①	COPPER ALLOY	NICKEL UNDER PLATE ALL OVER CONTACT AREA ; Au(0.3um, 0.76um) SOLDER TINE AREA ; TIN PLATE
②	ZINC	NICKEL PLATING
③	STEEL t0.25	NICKEL PLATE OVER COPPER UNDERPLATE
④	THERMO-PLASTIC(UL:94V-0)	COLOR; BLACK
⑥	COPPER ALLOY	TIN PLATE OVER NICKEL UNDERPLATE

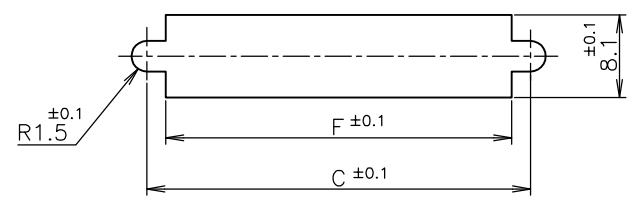
- NOTES:  
 1. RECOMMENDED SCREW SIZE ; M2.6 PANHEAD SCREW(L=5)  
 2. RECOMMENDED P.C BOARD THICKNESS ; 1.6mm (REF)  
 3. INSERTION FORCE OF RETENTION LEG TO P.C.B; 21.56N(2.2kgf) MAX/CONNECTOR.  
 4. RETENTIVITY OF RETENTION LEG TO P.C.B; 4.9N(0.5kgf) MIN/CONNECTOR.



RECOMMENDED PC BOARD MOUNTING DIMENSION (COMPONENT SIDE)



RECOMMENDED PC BOARD MOUNTING DIMENSION (COMPONENT SIDE)



RECOMMENDED PANEL CUTOUT THK,2mm MAX

LEAD FREE

24	42.8	42.50	52.40	46.50	35.48	30.48	0.76um	50	5-2232516-2
17	33.9	33.61	43.51	37.61	26.59	21.59	0.76um	36	4-2232516-2
12	27.6	27.26	37.16	31.26	20.24	15.24	0.76um	26	3-2232516-2
9	23.8	23.45	33.35	27.45	16.43	11.43	0.76um	20	2-2232516-2
6	19.9	19.64	29.54	23.64	12.62	7.62	0.76um	14	1-2232516-2
24	42.8	42.50	52.40	46.50	35.48	30.48	0.3 um	50	5-2232516-1
17	33.9	33.61	43.51	37.61	26.59	21.59	0.3 um	36	4-2232516-1
12	27.6	27.26	37.16	31.26	20.24	15.24	0.3 um	26	3-2232516-1
9	23.8	23.45	33.35	27.45	16.43	11.43	0.3 um	20	2-2232516-1
6	19.9	19.64	29.54	23.64	12.62	7.62	0.3 um	14	1-2232516-1
N	F	E	D	C	B	A	Au PLT.	POSITION	PART NO.

THIS DRAWING IS A CONTROLLED DOCUMENT.

DIMENSIONS: mm

TOLERANCES UNLESS OTHERWISE SPECIFIED:  
 0 PLC ± 0.2  
 1 PLC ± 0.2  
 2 PLC ± 0.2  
 3 PLC ± 0.2  
 4 PLC ± 0.2  
 ANGLES ± 3°

MATERIAL: SEE TABLE

FINISH: SEE TABLE

APPROVALS:  
 DWN: HAO WANG (06MAY13)  
 CHK: KOBBY ZHAO (06MAY13)  
 APVD: PETER YIN (06MAY13)

NAME: PETER YIN

PRODUCT SPEC: 108-5288

APPLICATION SPEC:

WEIGHT:

CUSTOMER DRAWING

TE Connectivity

RECEPTACLE HDR ASSY (3.1mm)  
 RETENTION LEG TYPE  
 STANDARD SCS1 .050

SIZE: A2

CAGE CODE: 00779

DRAWING NO: C-2232516

RESTRICTED TO:

SCALE: 2:1

SHEET: 1 OF 1

REV: A