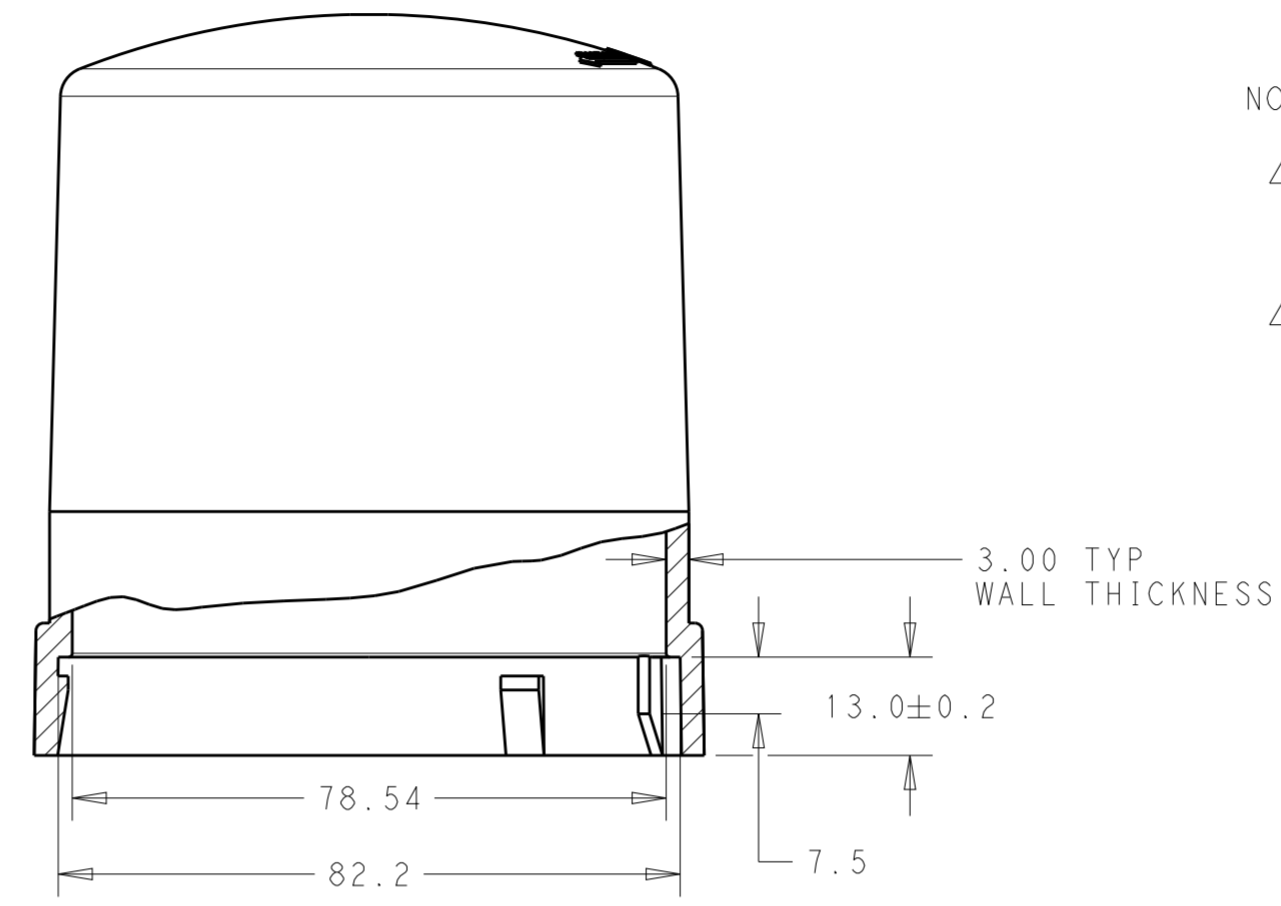
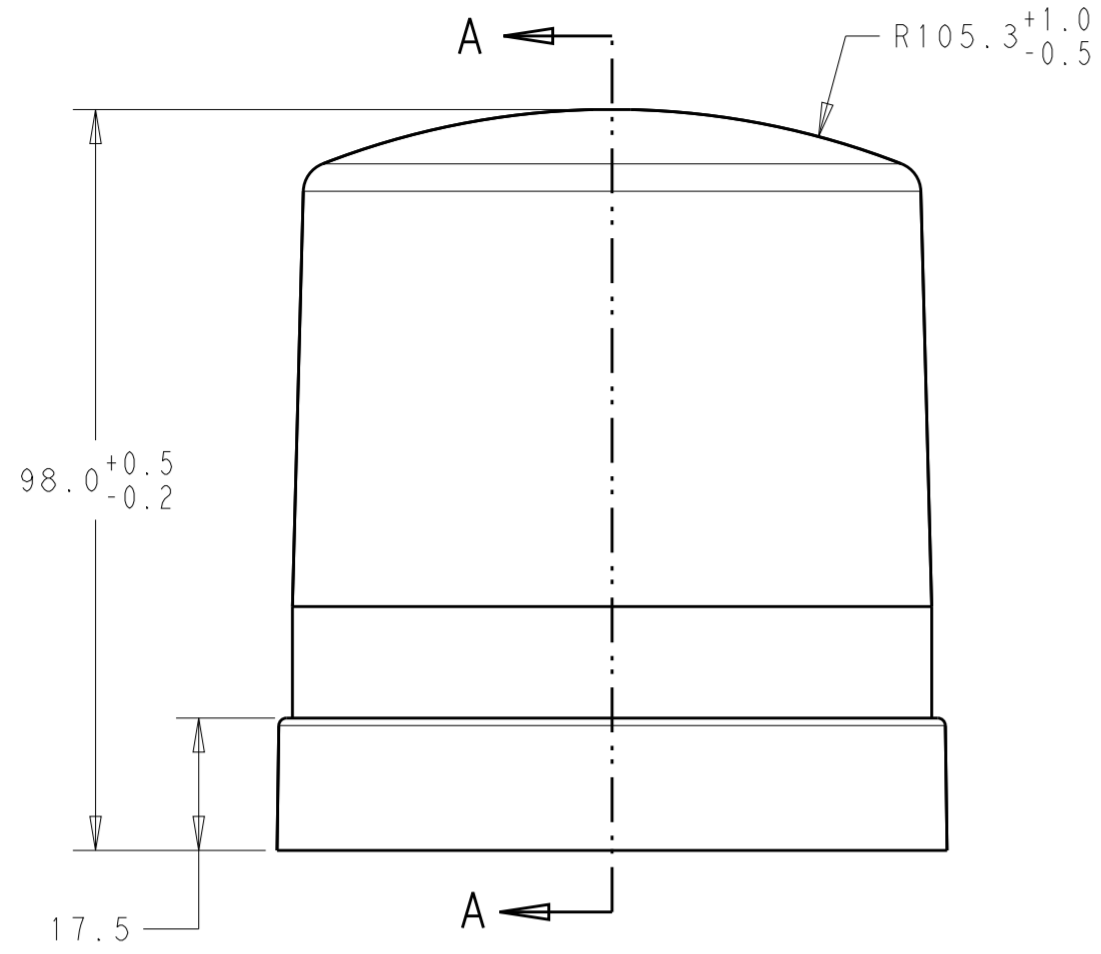
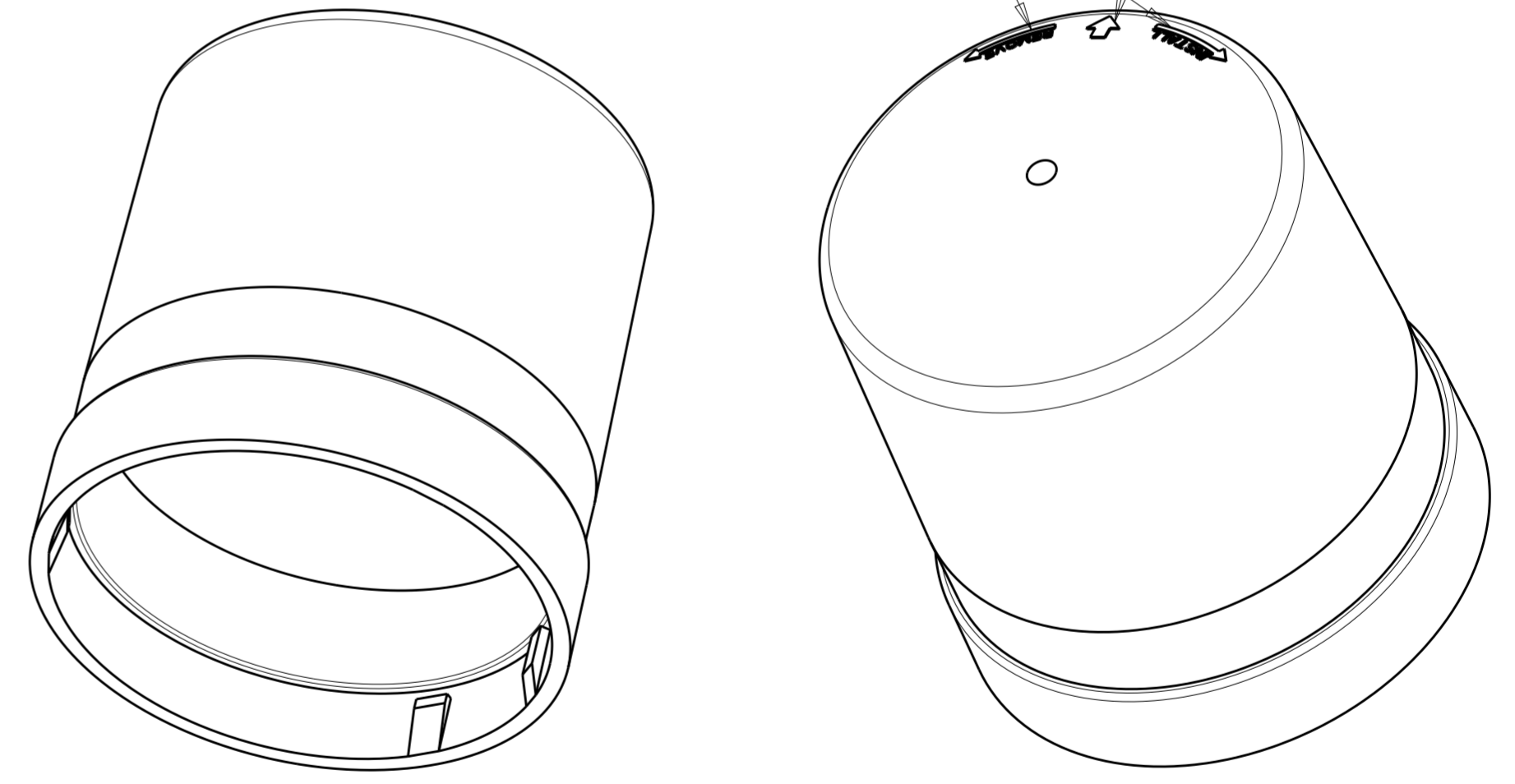
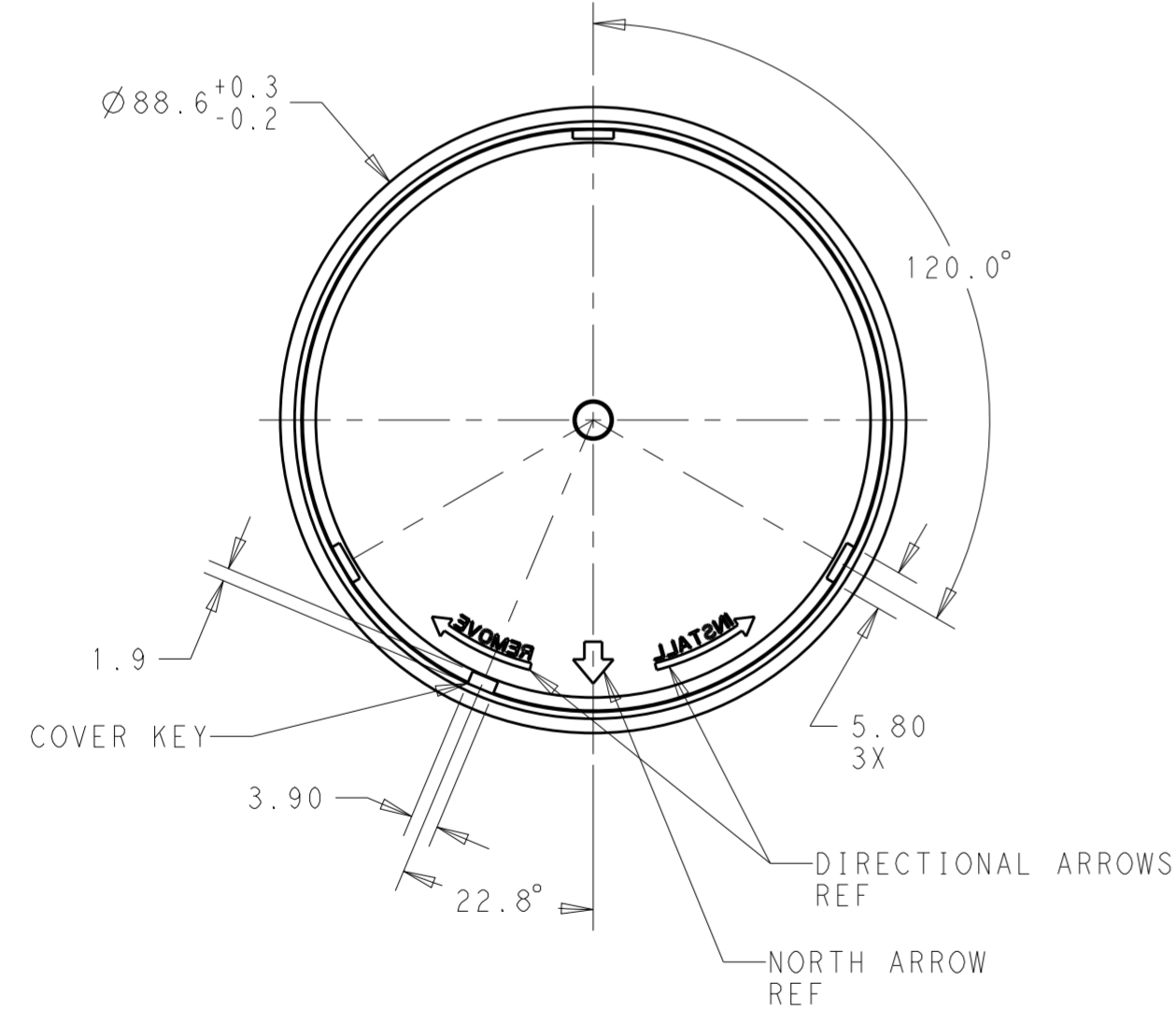


THIS DRAWING IS UNPUBLISHED. RELEASED FOR PUBLICATION 20
 © COPYRIGHT 20 BY - ALL RIGHTS RESERVED.

REVISIONS					
P	LTR	DESCRIPTION	DATE	DWN	APVD
A		REVISED PER ECO-17-010638	21JUL2017	RK	DD
A1		REVISED PER ECR-18-010034	27JUN2018	JS	JL
A2		REVISED PER ECR-19-005743	11APR2019	SS	DD
B		REVISED PER ECR-19-006995	03MAY2019	JS	DD



NOTES:
 ⚠ MATERIALS:
 HOUSING: POLYCARBONATE, UV 5VA RATED
 COLOR: SEE TABLE
 ⚠ MATING BASE TE P/N: 2213871-2, 2213871-3, 1-2213871-2.



APPROXIMATE LIGHT TRANSMISSION	COLOR	PART NO.
70%	TRANSPARENT YELLOW	1-2306130-2
78%	TRANSPARENT CLEAR	1-2306130-1
26%	TRANSLUCENT GRAY	2306130-2
24%	TRANSPARENT SMOKE GRAY	2306130-1

THIS DRAWING IS A CONTROLLED DOCUMENT.		DWN J. SHAFFER 07JUL2016	STE TE Connectivity																						
		CHK E. HOWARD 07JUL2016																							
DIMENSIONS: mm		TOLERANCES UNLESS OTHERWISE SPECIFIED:		APVD -																					
<table border="0"> <tr><td>0 PLC</td><td>±</td><td>-</td></tr> <tr><td>1 PLC</td><td>±0.2</td><td>-</td></tr> <tr><td>2 PLC</td><td>±0.13</td><td>-</td></tr> <tr><td>3 PLC</td><td>±</td><td>-</td></tr> <tr><td>4 PLC</td><td>±</td><td>-</td></tr> <tr><td>ANGLES</td><td>±3°</td><td>-</td></tr> <tr><td>FINISH</td><td>-</td><td>-</td></tr> </table>		0 PLC	±	-	1 PLC	±0.2	-	2 PLC	±0.13	-	3 PLC	±	-	4 PLC	±	-	ANGLES	±3°	-	FINISH	-	-	PRODUCT SPEC 108-32125	NAME COVER, LIGHT CONTROLLER 81mm DIA, MEDIUM	
0 PLC	±	-																							
1 PLC	±0.2	-																							
2 PLC	±0.13	-																							
3 PLC	±	-																							
4 PLC	±	-																							
ANGLES	±3°	-																							
FINISH	-	-																							
MATERIAL -		APPLICATION SPEC 11432159	SIZE A2	CAGE CODE -																					
		WEIGHT -	DRAWING NO. C-2306130	RESTRICTED TO -																					
		CUSTOMER DRAWING	SCALE 1:1	SHEET 1 OF 1																					
				REV B																					