

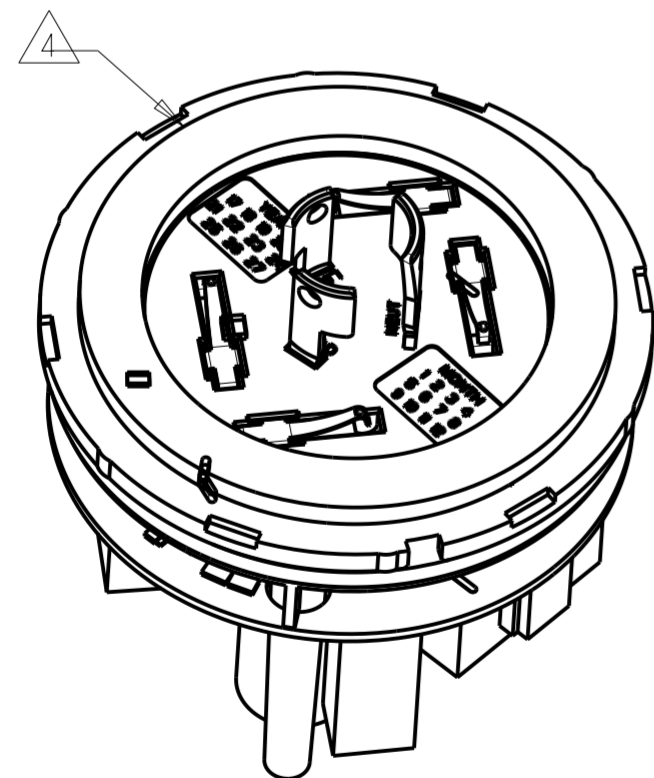
P	LTR	DESCRIPTION	DATE	DWN	APVD
	A1	ECR-21-004389	09APR2021	CD	CD

ABSOLUTE MAXIMUM RATINGS	SYMBOL	MIN	MAX	UNIT
STORAGE TEMPERATURE	T_{stg}	-40	105	°C
LINE TO NEUTRAL VOLTAGE	V_{in}	90	300	VAC
MAXIMUM AC CURRENT (RESISTIVE)	A_{switch}	--	8	AMPS

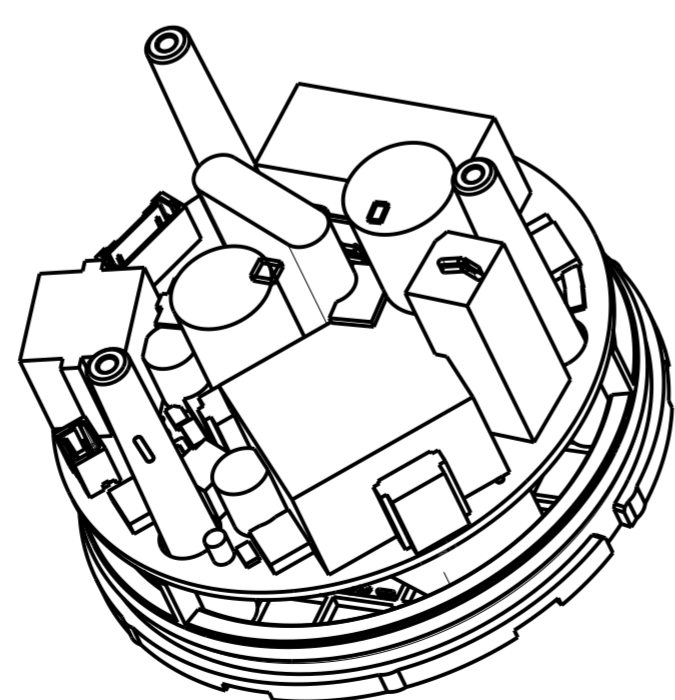
ELECTRICAL CHARACTERISTICS	
INPUT VOLTAGE RANGE	110/120, 230/240 AND 277 VAC NOMINAL SOURCES
INPUT FREQUENCY	47-63 Hz FOR 50/60 Hz NOMINAL SOURCES
MAXIMUM AC CURRENT	8 AMPS (RESISTIVE), 5 AMPS (ELECTRONIC BALLAST)@120V, 3AMPS @277V
DC POWER SUPPLIES	
DIMMING	24 VDC AT 50 mA MAXIMUM
COMMUNICATIONS	5 VDC AT 1000 mA MAXIMUM
AUXILIARY	3.3VDC AT 500 mA MAXIMUM
SURGE PROTECTION	ANSI C62.41 6 kV, 3 kA COMBINATION WAVE SURGE PROTECTION
POWER CONSUMPTION (MIN LOAD)	< 1W @ 120 VAC, < 2W @ 277 VAC
FAIL MODE	ON (NORMALLY CLOSED) OR OFF (NORMALLY OPEN)

ENVIRONMENTAL CHARACTERISTICS	
OPERATING TEMPERATURE	-40°C TO +85°C (SEE 114-133085 FOR DETAILS)
RELATIVE HUMIDITY	OPERATING: 15% TO 96%, NON-CONDENSING ENVIRONMENT.
ALTITUDE	OPERATING: -15m TO +2,000m NON-OPERATING: -15m TO +14,000m

- 1 MATERIALS:
HOUSING: PBT
DIMMING CONTACTS (QTY. 4): COPPER ALLOY
LINE VOLTAGE CONTACTS (QTY. 3): COPPER ALLOY
GASKET: VINYL/NITRILE FOAM
O-RING: SILICONE RUBBER
PCBA: FR4
- 2 FINISH:
DIMMING CONTACTS: NICKEL UNDERPLATE ENTIRE
CONTACT 0.127 μm MIN THICK. SELECTIVE GOLD PLATE CONTACT MATING AREA (MATING FACE SIDE ONLY) 0.76 μm MIN THICK. MATTE TIN PLATE TAB ON BOTH SIDES 0.30 μm MIN THICK.
LINE VOLTAGE CONTACTS: MATTE TIN PLATE
- 3 MATING INTERFACE PER ANSI C136.41-2013.
- 4 ADHESIVE BACKED GASKET SUPPLIED BUT NOT INSTALLED.
- 5 ADDITIONAL COVERS (P/N: 2306130-X) AVAILABLE CONTACT TE CONNECTIVITY FOR MORE OPTIONS.
- 6. THIS PRODUCT HAS NOT COMPLETED VALIDATION TESTING.
- 7. MUST COMPLY WITH DIRECTIVE 2002/95/EC (ROHS)
- 8. IN ADDITION TO THE STANDARD PRODUCT PART NUMBERS, OTHER CONFIGURATIONS MAY BE AVAILABLE FOR SPECIAL ORDER. PLEASE CONTACT A TE CONNECTIVITY SALES OFFICE FOR MORE INFO.
- 9 NOT PRODUCTION TOOLED



SCALE 1:1



SCALE 1:1

9	YES	50Hz	YES	YES	OFF	4-2314786-2
9	YES	50Hz	YES	YES	ON	4-2314786-1
9	YES	60Hz	YES	YES	OFF	3-2314786-2
9	YES	60Hz	YES	YES	ON	3-2314786-1
	NO	50Hz	YES	YES	OFF	1-2314786-2
	NO	50Hz	YES	YES	ON	1-2314786-1
	NO	60Hz	YES	YES	OFF	2314786-2
	NO	60Hz	YES	YES	ON	2314786-1
	VENT	FREQ.	ENERGY METERING HEADER	ZERO CROSS	FAIL MODE	PART NO.

THIS DRAWING IS A CONTROLLED DOCUMENT.

DWN: C. DAILY 30DEC2016
CHK: C. GINGRICH 30DEC2016
APVD: C. GINGRICH

STE TE Connectivity

NAME: ASSEMBLY, LUMAWISE ENDURANCE N ENHANCED BASE

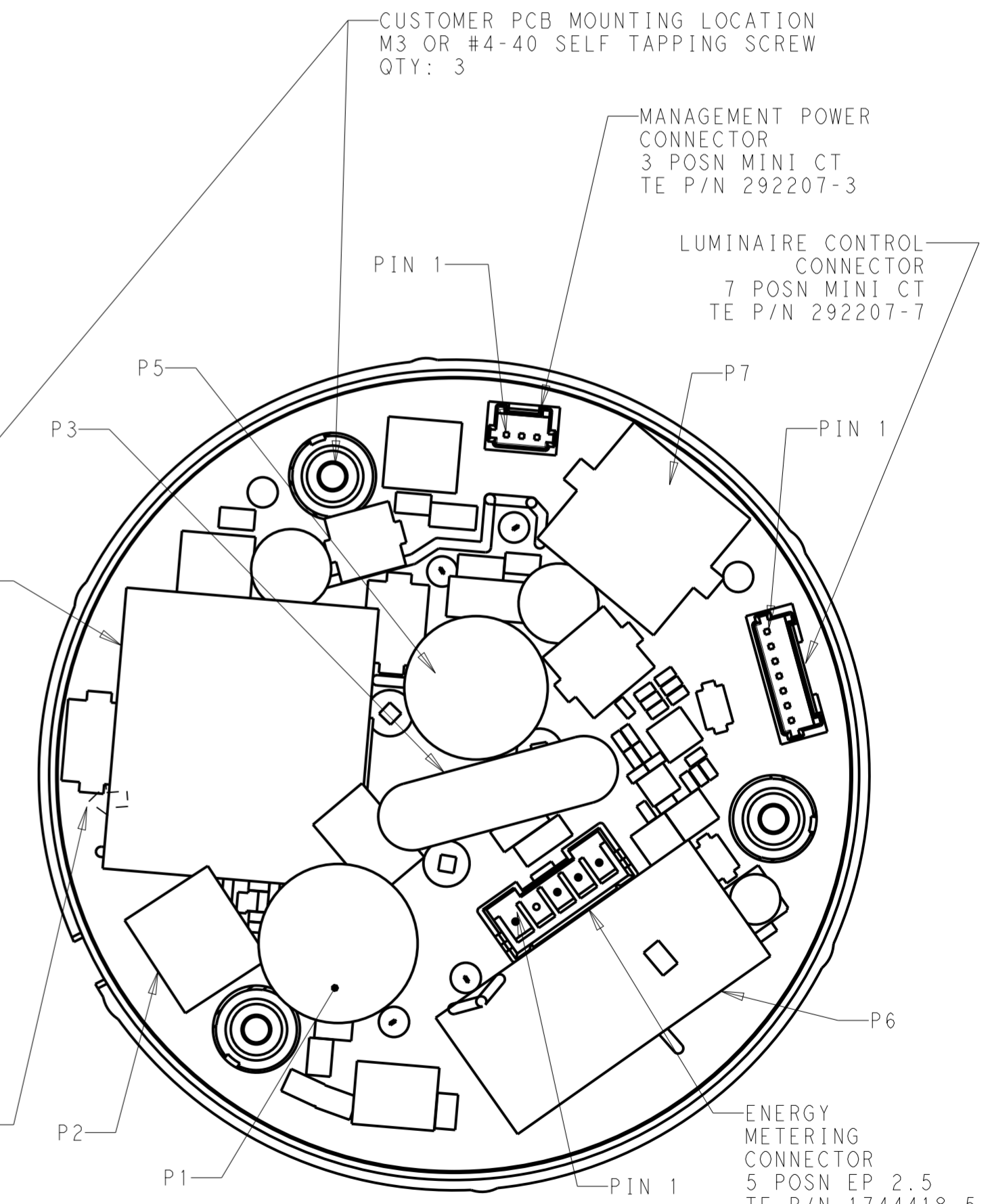
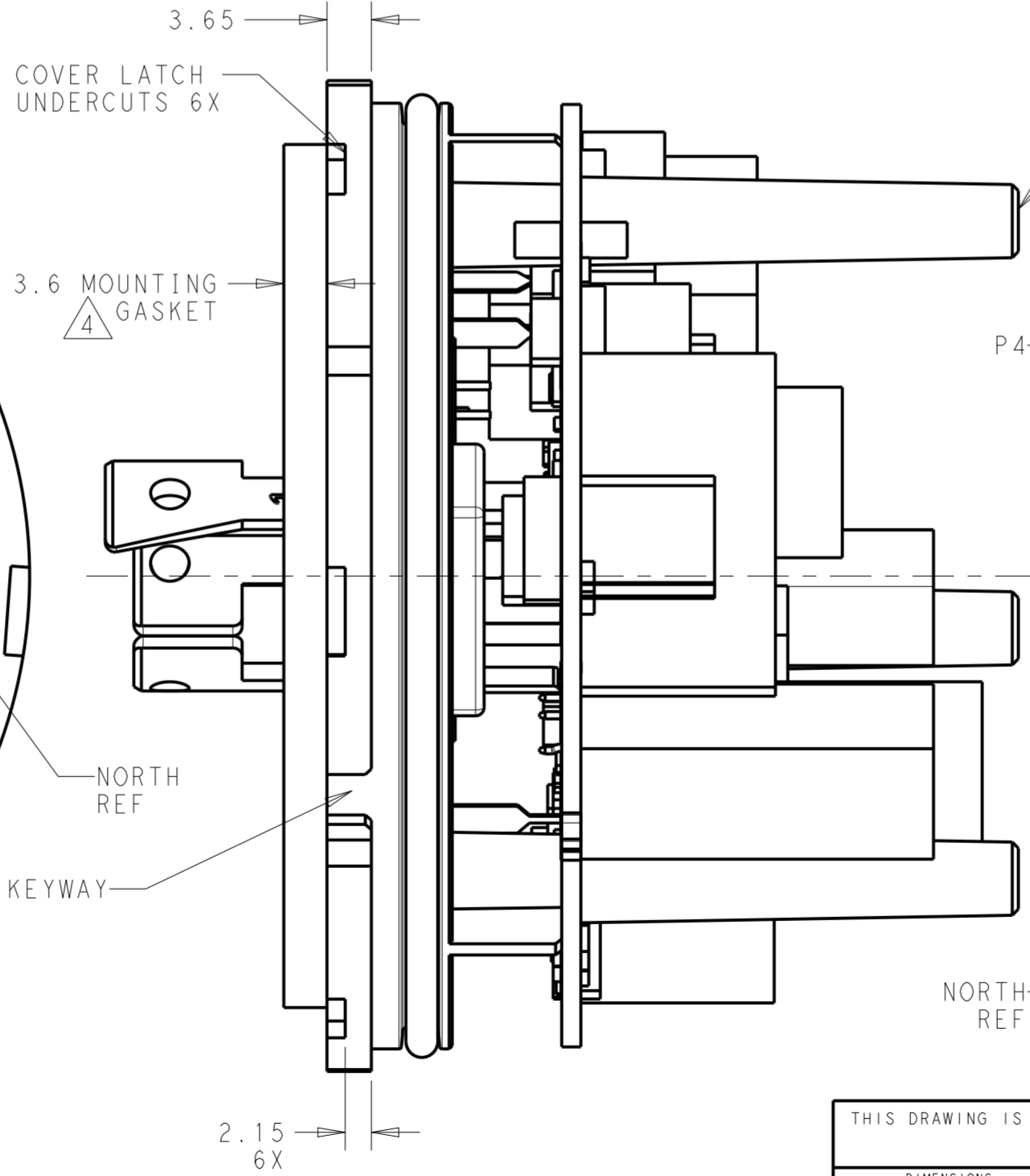
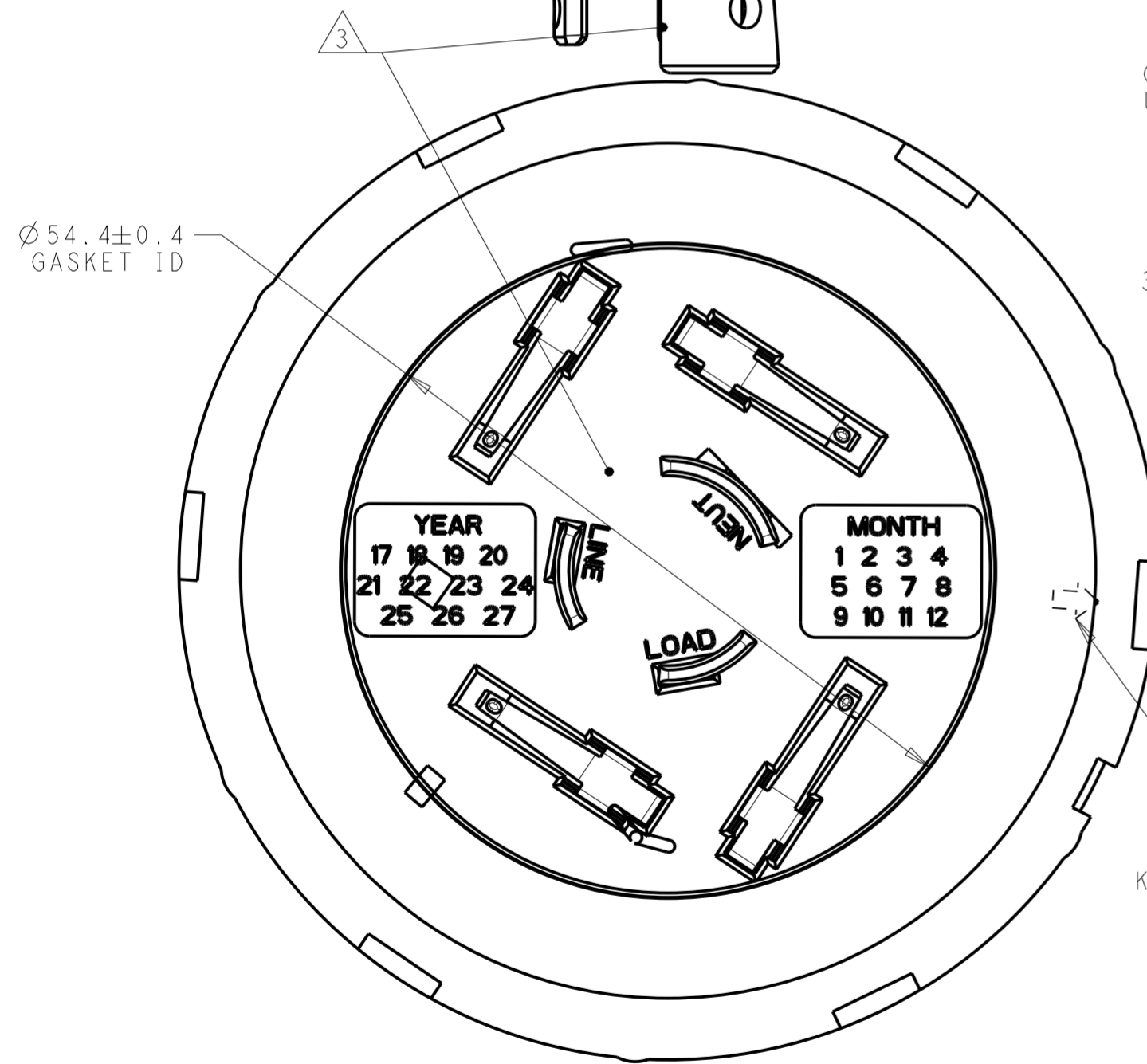
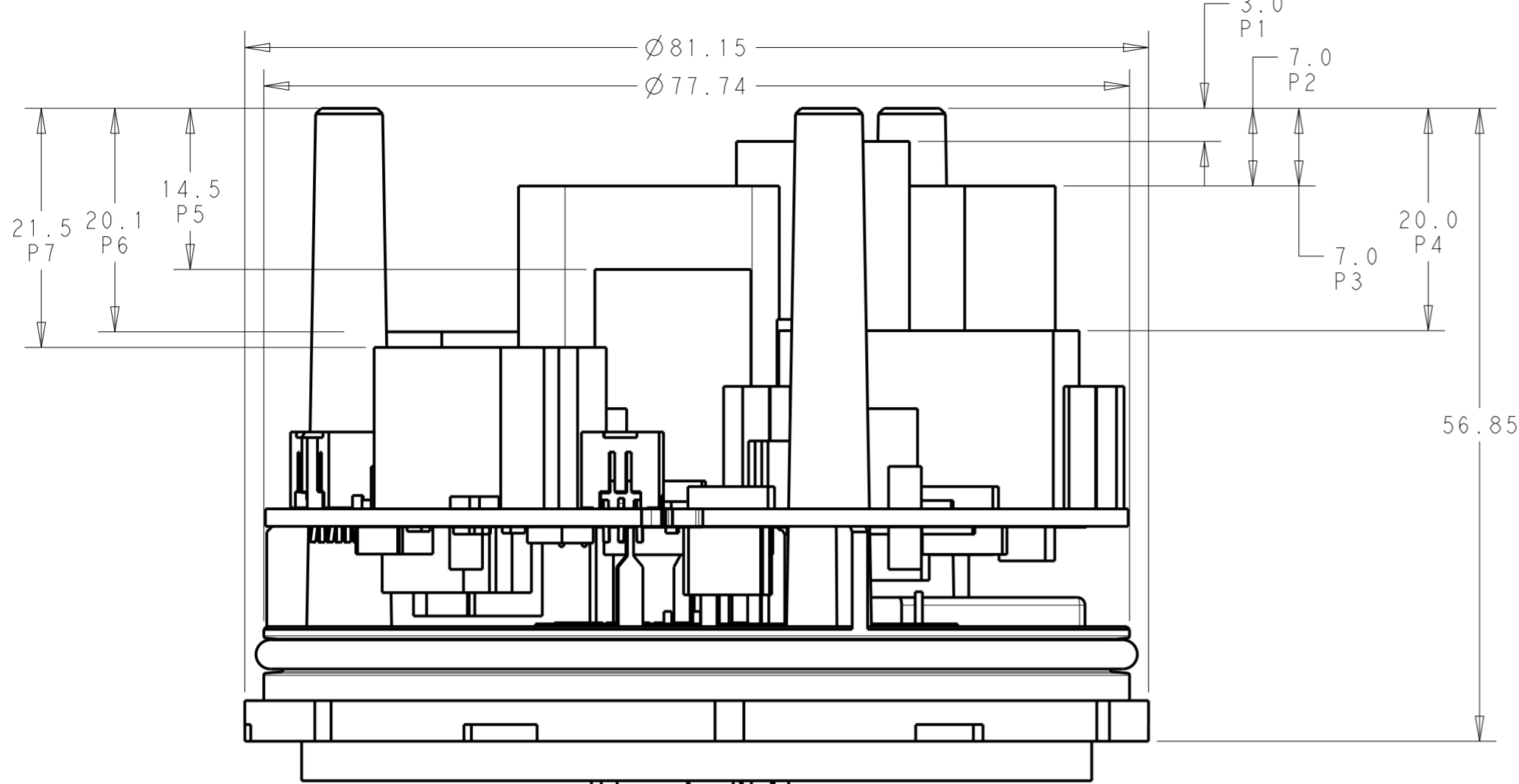
PRODUCT SPEC: 108-133085
APPLICATION SPEC: 114-133085

SIZE: A2 CAGE CODE: 00779 DRAWING NO: C-2314786 RESTRICTED TO: -

MATERIAL: - FINISH: -

CUSTOMER DRAWING SCALE: 2:1 SHEET: 1 OF 4 REV: A1

P	LTR	DESCRIPTION	DATE	DWN	APVD
-	-	SEE SHEET 1	-	-	-



THIS DRAWING IS A CONTROLLED DOCUMENT.		DWN C. DAILY 30DEC2016	TE Connectivity	
		CHK C. GINGRICH 30DEC2016		
DIMENSIONS: mm		APVD		NAME ASSEMBLY, LUMAWISE ENDURANCE N ENHANCED BASE
TOLERANCES UNLESS OTHERWISE SPECIFIED:		PRODUCT SPEC 108-133085		SIZE A2
0 PLC ±		APPLICATION SPEC 114-133085		CAGE CODE 200779
1 PLC ±0.35		WEIGHT		DRAWING NO C-2314786
2 PLC ±0.25		CUSTOMER DRAWING		RESTRICTED TO
3 PLC ±		SCALE 2:1		SHEET 2 OF 4
4 PLC ±		REV A1		
ANGLES ±3°				
FINISH				

P	LTR	DESCRIPTION	DATE	DWN	APVD
-		SEE SHEET 1	-	-	-

2.5 MAX
AT LOCATION P1

21.3 MAX
TO FIT UNDER TE COVER
PN: 2306130-X

OPTIONAL FLAT TO
INDICATE NORTH

TALLEST COMPONENT
P1 THIS QUADRANT

TALLEST COMPONENT
P5 THIS QUADRANT

Ø 3.40
3X

Ø 70.00
MAX

4.2°
REF

22.2°
REF

TALLEST
COMPONENT
P5 THIS
QUADRANT

120°
3X

TALLEST COMPONENT
P3 THIS QUADRANT

Ø 63.00


TOP SIDE

Ø 6.0
KEEP OUT
TOWER MOUNTING
3 PLACES

67
REF

RECOMMENDED CUSTOMER PCB
SCALE 3:1

1.60

THIS DRAWING IS A CONTROLLED DOCUMENT.		DWN C. DAILY 30DEC2016	 TE Connectivity	
		CHK C. GINGRICH 30DEC2016		
DIMENSIONS: mm		APVD		NAME ASSEMBLY, LUMAWISE ENDURANCE N ENHANCED BASE
TOLERANCES UNLESS OTHERWISE SPECIFIED:		PRODUCT SPEC		SIZE 114-133085
0 PLC ±		APPLICATION SPEC		CAGE CODE A200779
1 PLC ±0.35		WEIGHT		DRAWING NO C-2314786
2 PLC ±0.25		CUSTOMER DRAWING		RESTRICTED TO
3 PLC ±		SCALE 2:1		SHEET 3 OF 4
4 PLC ±		REV A1		
ANGLES ±3°				
FINISH				
MATERIAL				