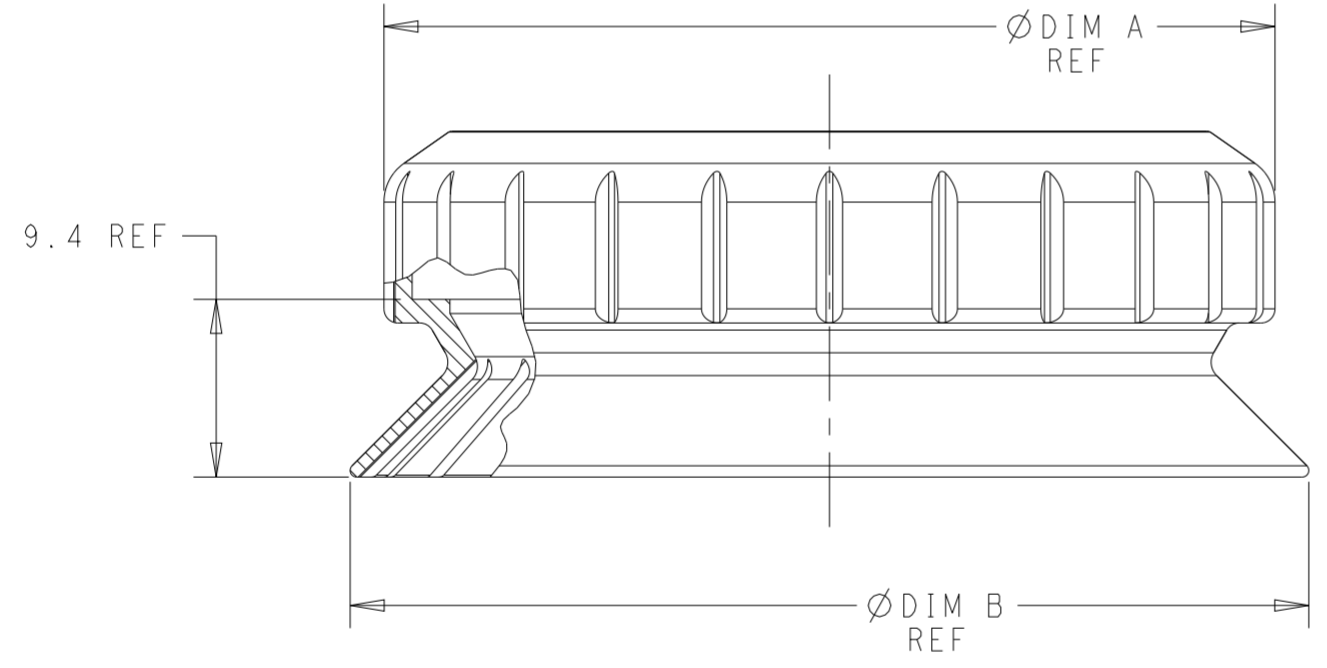
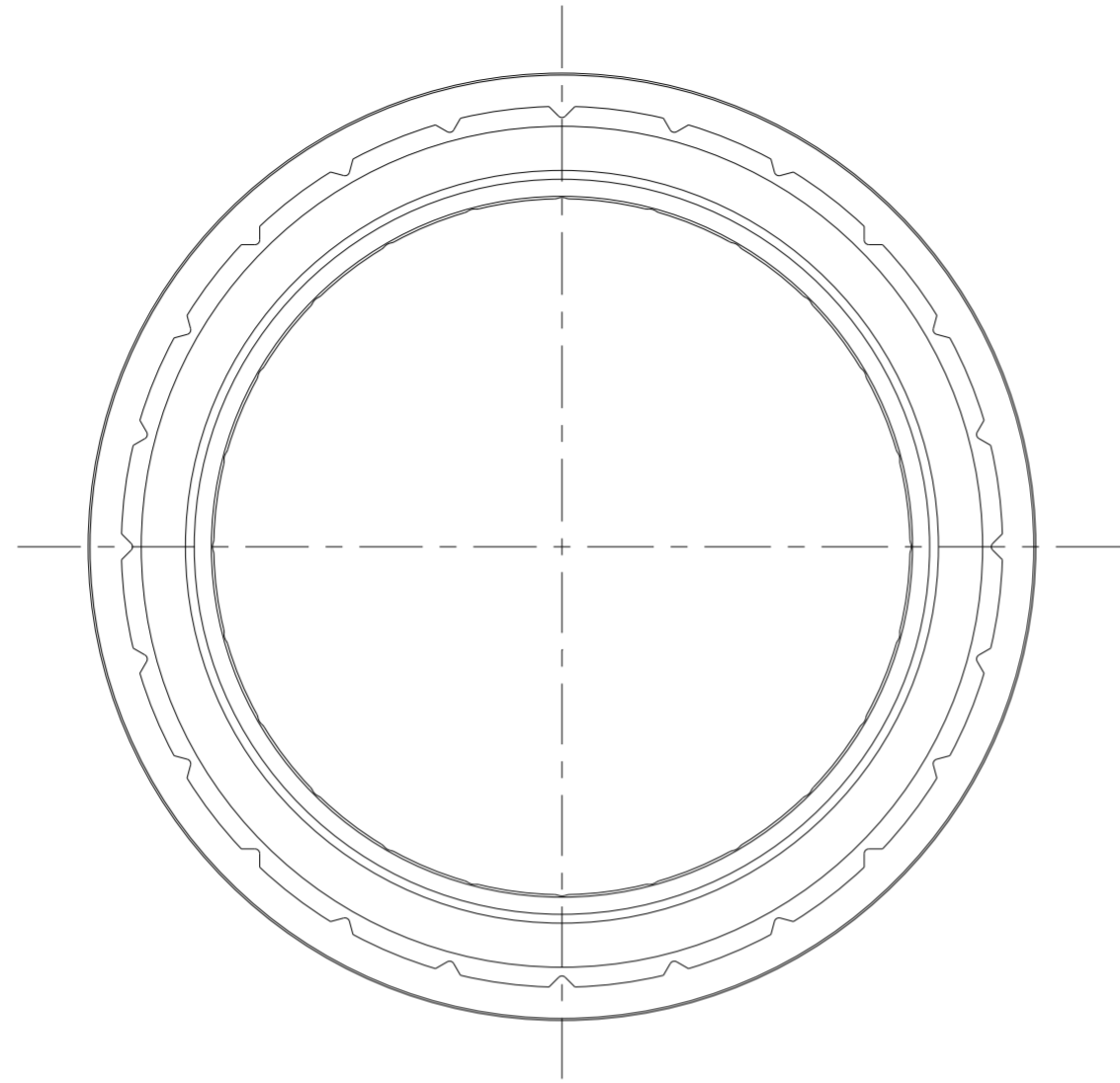
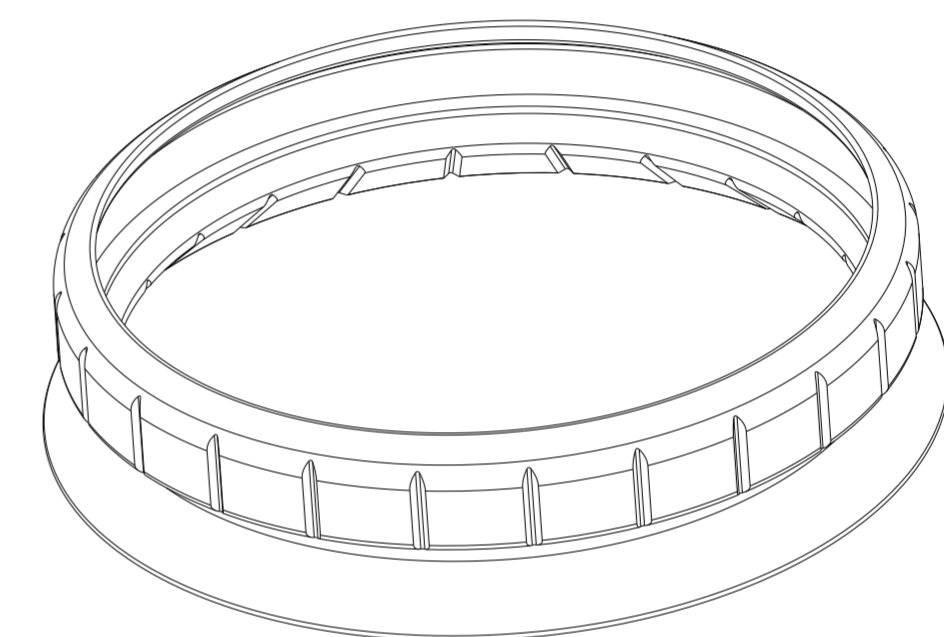


THIS DRAWING IS UNPUBLISHED. RELEASED FOR PUBLICATION 20
 © COPYRIGHT 20 BY - ALL RIGHTS RESERVED.

REVISIONS				
P	LTR	DESCRIPTION	DATE	APVD
A		RELEASED PER ECR-19-001184	23JAN2019	JS DD
B		REVISED PER ECR-22-126711	21JAN2022	SD MM



- 1 MATERIAL:
-SILICON RUBBER, COLOR: SEE TABLE
- 2. MUST COMPLY WITH DIRECTIVE 2002/95/EC (ROHS)



1-2337216-1 SHOWN
SCALE 3:2

DARK GRAY	2328823-X	Ø 80.0	Ø 76.4	1-2337216-3
LIGHT GRAY	2328823-X	Ø 80.0	Ø 76.4	1-2337216-2
BLACK	2328823-X	Ø 80.0	Ø 76.4	1-2337216-1
COLOR	USED WITH DOME	DIM B	DIM A	PART NO.

THIS DRAWING IS A CONTROLLED DOCUMENT.		DWN C DAILY 26 JUL 2018	TE Connectivity	
		CHK MSTOLLER 26 JUL 2018		
DIMENSIONS: mm		TOLERANCES UNLESS OTHERWISE SPECIFIED: 0 PLC ± 1 PLC ±0.5 2 PLC ±0.5 3 PLC ± 4 PLC ± ANGLES ±3° FINISH		NAME SKIRT, MODULE, LUMAWISE ENDURANCE S
MATERIAL 		APVD - PRODUCT SPEC - APPLICATION SPEC - WEIGHT -	SIZE A200779	DRAWING NO C-2337216
		CUSTOMER DRAWING		RESTRICTED TO - SCALE 1:1 SHEET 1 OF 1 REV B