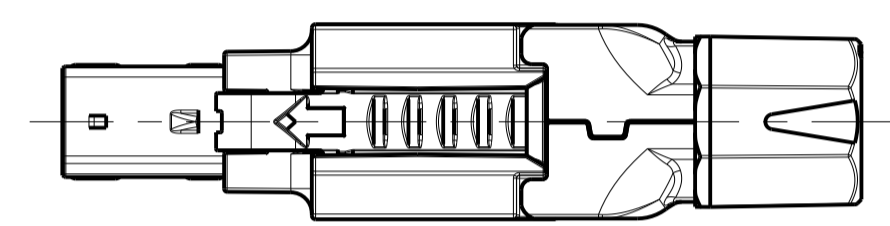
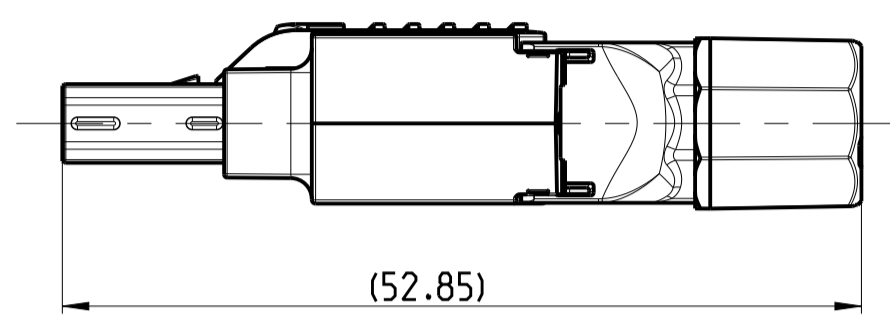
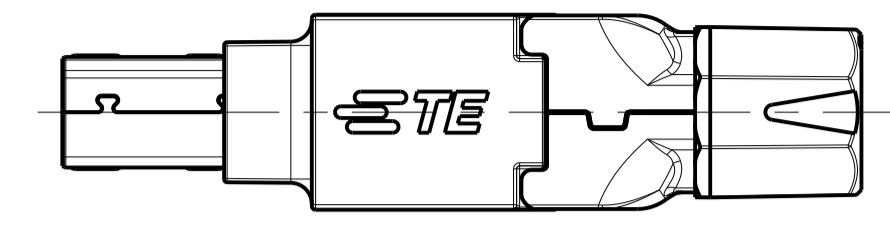
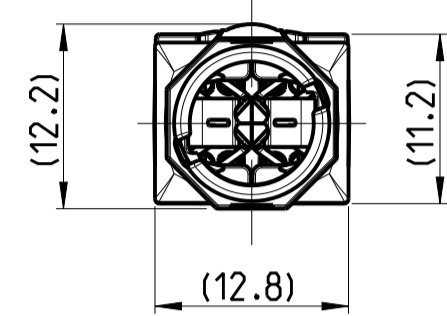
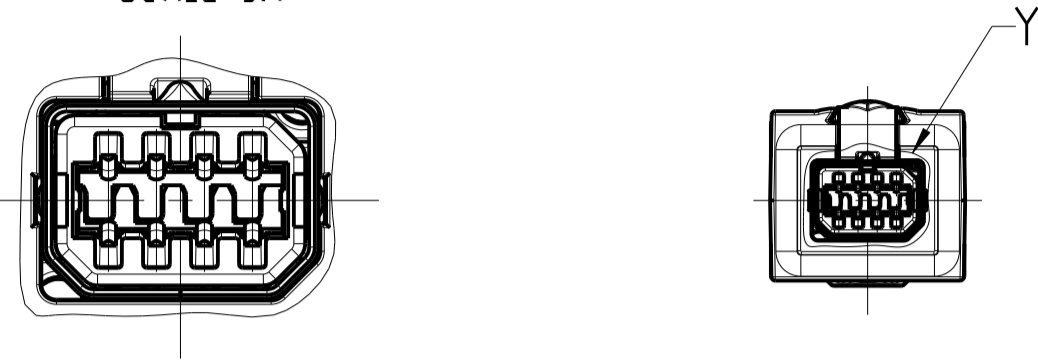


REVISIONS		DATE	DWN	APVD
P	LTR	DESCRIPTION		
1		NEW PRELIMINARY DRAWING	06FEB2020	ER JDB
2		PACKAGING REVISED	12MAR2020	ER JDB
A1		RELEASE TO PRODUCTION	19MAR2021	SS MSZ

TYPE II U-SHAPE ASSEMBLY STATE

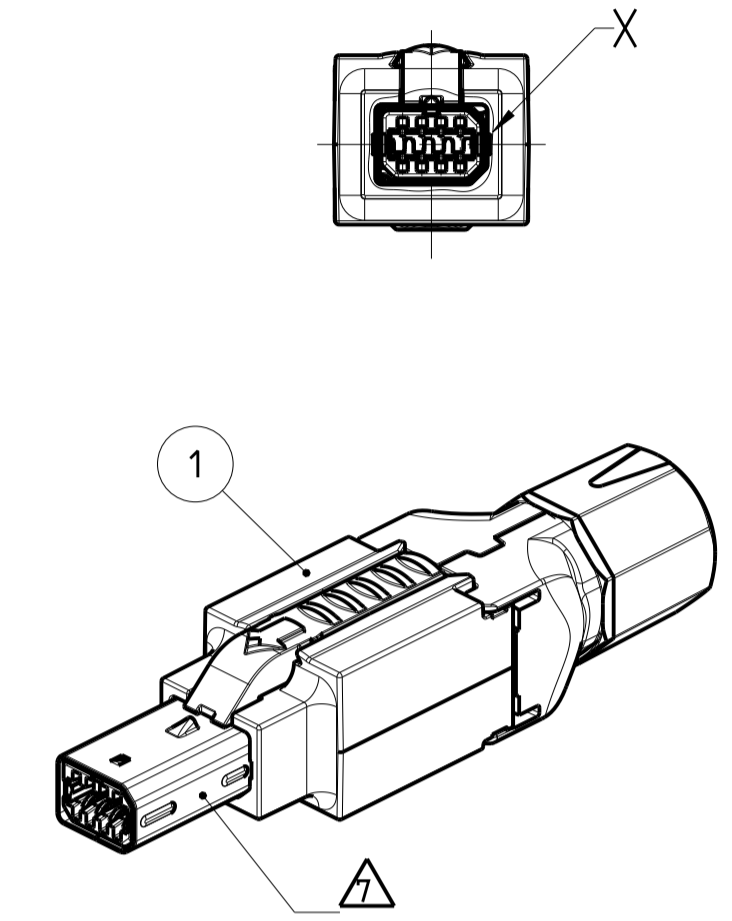
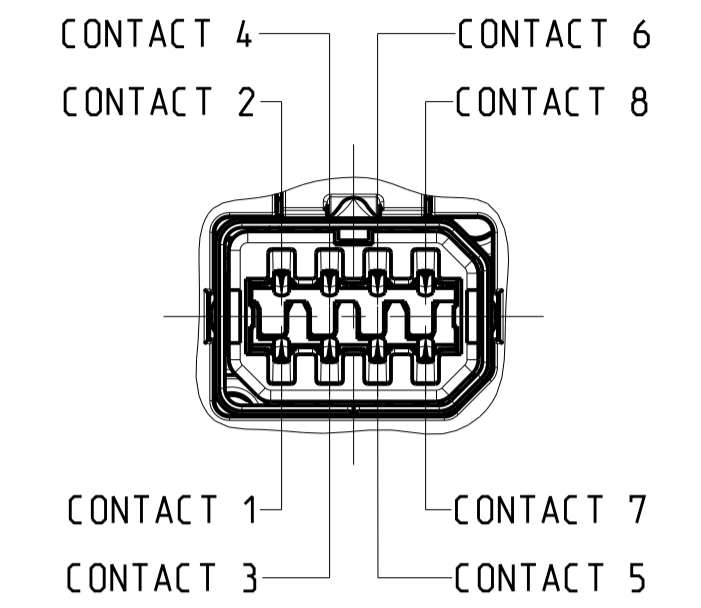
NOT SPECIFIED NOTES AND DIMENSIONS SEE -1

DETAIL Y
TYPE II, U-SHAPE
SCALE 5:1



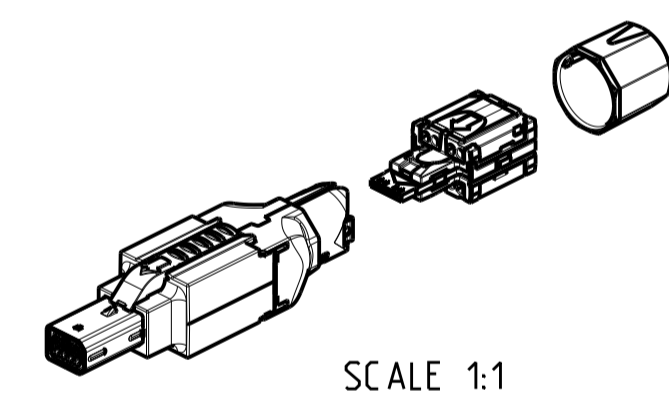
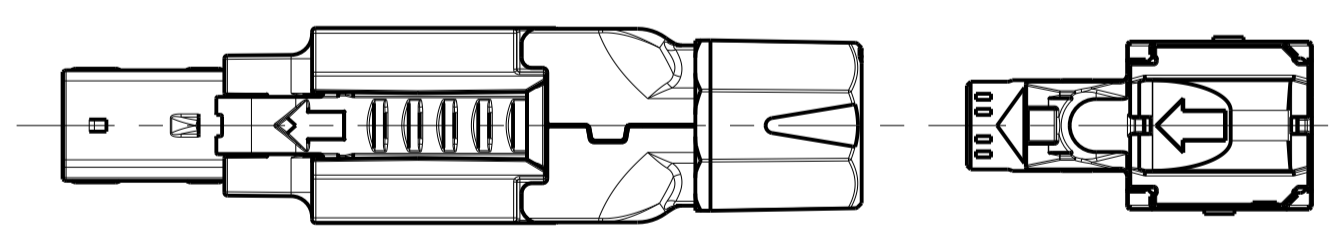
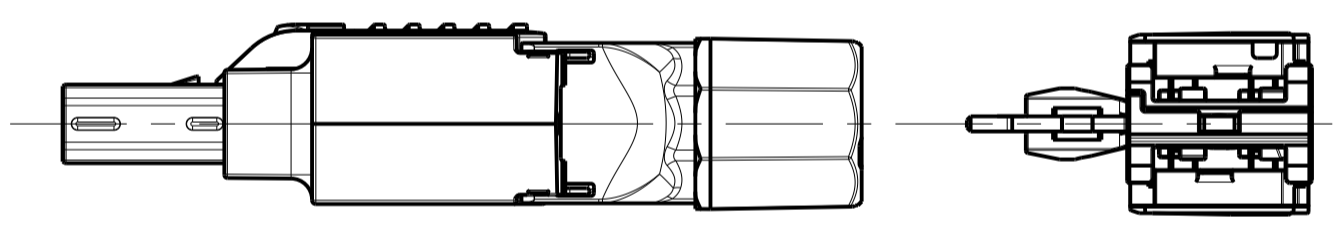
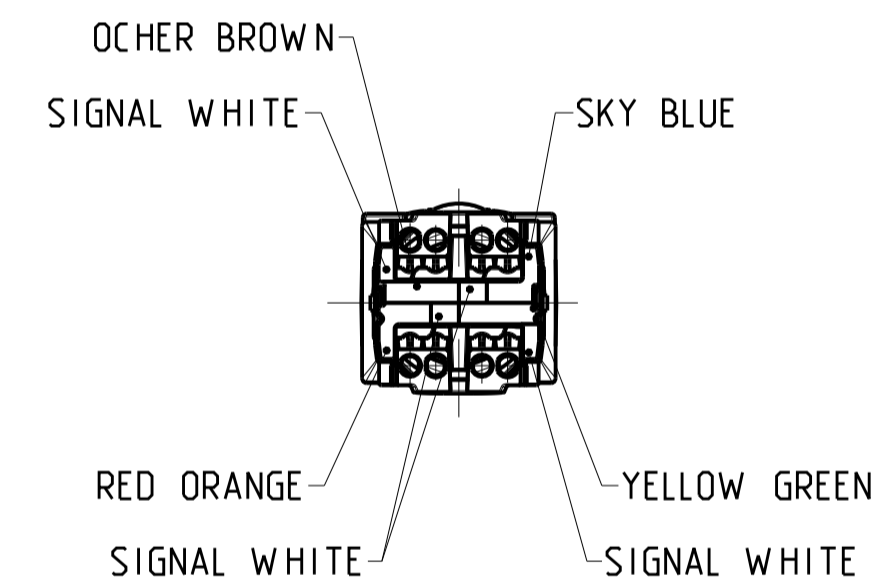
TYPE I, D-SHAPE ASSEMBLY STATE

DETAIL X
TYPE I, D-SHAPE
SCALE 5:1



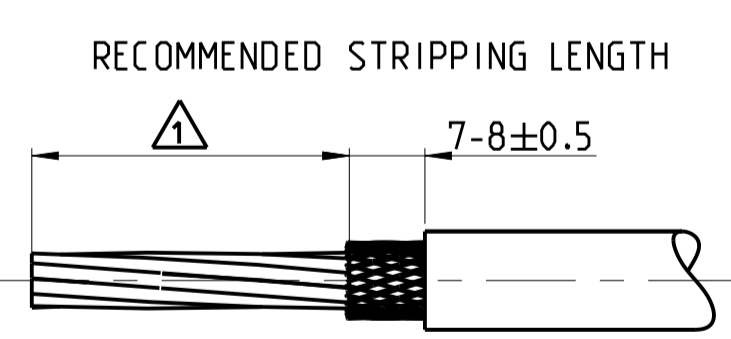
-1 AS SHOWN

DELIVERY STATE



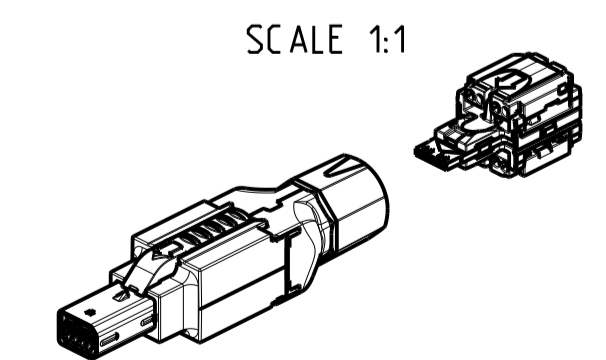
SCALE 1:1

CABLE: 8 POS. AWG 24-26 STRANDED OR SOLID



COLOR ALLOCATION OF MINI IO CONTACTS 8 POS. TYPE:

CONTACT NO.	WIRE COLOR
1	WHITE/GREEN
2	GREEN
3	WHITE/ORANGE
4	BLUE
5	WHITE/BLUE
6	ORANGE
7	WHITE/BROWN
8	BROWN



SCALE 1:1

- △ RECOMMENDED LENGTH OF DISMANTLED CABLE MIN. 40mm ACC. APPLICATION SPEC. 114-94602
- △ SINGLE PACKAGING: 1 PIECE OF EACH COMPONENT PACKED IN A FOLDING CARTON WITH AN INSTRUCTION SHEET FOLDING CARTON PACKED IN A CORRUGATED SHIPPING BOX. SEE PACKAGING APC. 107-18136
- △ MULTI PACKAGING: PACKED IN A SMALL BOX AND SEPARATED BY AN CORRUGATED SPACER. 60 PIECES OF CONNECTOR ASSEMBLED WITH A BAYONET NUT AND 60 PIECES OF TERMINATION UNITS WITH ONE INSTRUCTION SHEET. SEE PACKAGING SPEC. 107-18136
- 4 APPLICATION SEE INSTRUCTION SHEET 408-18020-3
- 5 WIRE SIZE AWG 24/26: OUTSIDE DIAMETER 0.90-1.20mm CABLE OUTSIDE-DIAMETER 6.0 - MAX. 8.1mm
- 6 CONNECTOR ACC. TO IEC 61076-3-122, ISSUED 2018. CONNECTOR COMPATIBLE WITH MINI IO FAMILY
- △ COATED SURFACE (TOUCHING IS NOT RECOMMENDED TO AVOID REMOVAL OF COATING DURING HANDLING PROCESS)

NOT TOOLED YET	NOT TOOLED YET			TE CONNECTIVITY ORDER-NO.			
1-2350310-2	2350310-2	1-2350310-1	2350310-1	MINI IO CONNECTOR Cat6A FI, 4x2 Pos., AWG 24/26, 180 DEG.; CABLE DIA. 8.1; WITH INSTRUCTION SHEET; TYPE II, D-SHAPE / TIA 568A	-	-	2
6x60	12x12	-	-	MINI IO CONNECTOR Cat6A FI, 4x2 Pos., AWG 24/26, 180 DEG.; CABLE DIA. 8.1; WITH INSTRUCTION SHEET; TYPE I, D-SHAPE / TIA 568A	-	-	1
QUANTITY				DESCRIPTION	SURFACE COLOUR	MATERIAL	POS.

TOLERANCING ISO 8015
GEOMETRIC TOLERANCING ISO 1101
SIZE ISO 14405
GENERAL TOLERANCES ISO 2768-K

THIS DRAWING IS A CONTROLLED DOCUMENT. DIMENSIONING AND TOLERANCING PER GPS (ISO STANDARDS)

DATE: 06FEB2020
DWN: E. REISS
CHK: M. SZELAG
APVD: J. DE BRUIJN

NAME: MINI IO CONNECTOR Cat6A FI, 4x2 POS., AWG 24/26, 180 DEG. CABLE DIA. 8.1
PRODUCT SPEC: 108-94740
APPLICATION SPEC: 114-94602

SIZE: A | CAGE CODE: 00779 | DRAWING NO: 2350310 | RESTRICTED TO: NBR PWR

CUSTOMER DRAWING / KUNDENZEICHNUNG | SCALE: 2:1 | SHEET: 1 OF 1 | REV: A1