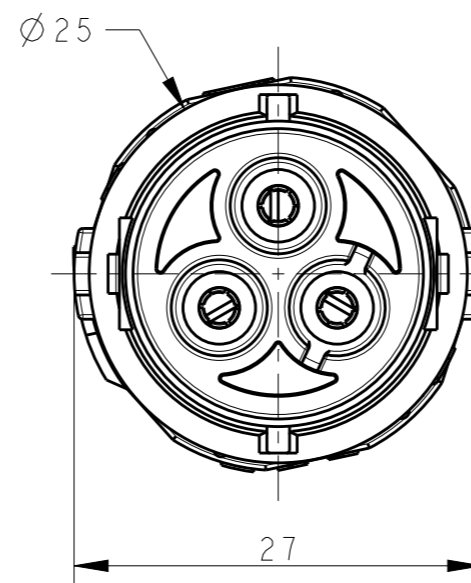
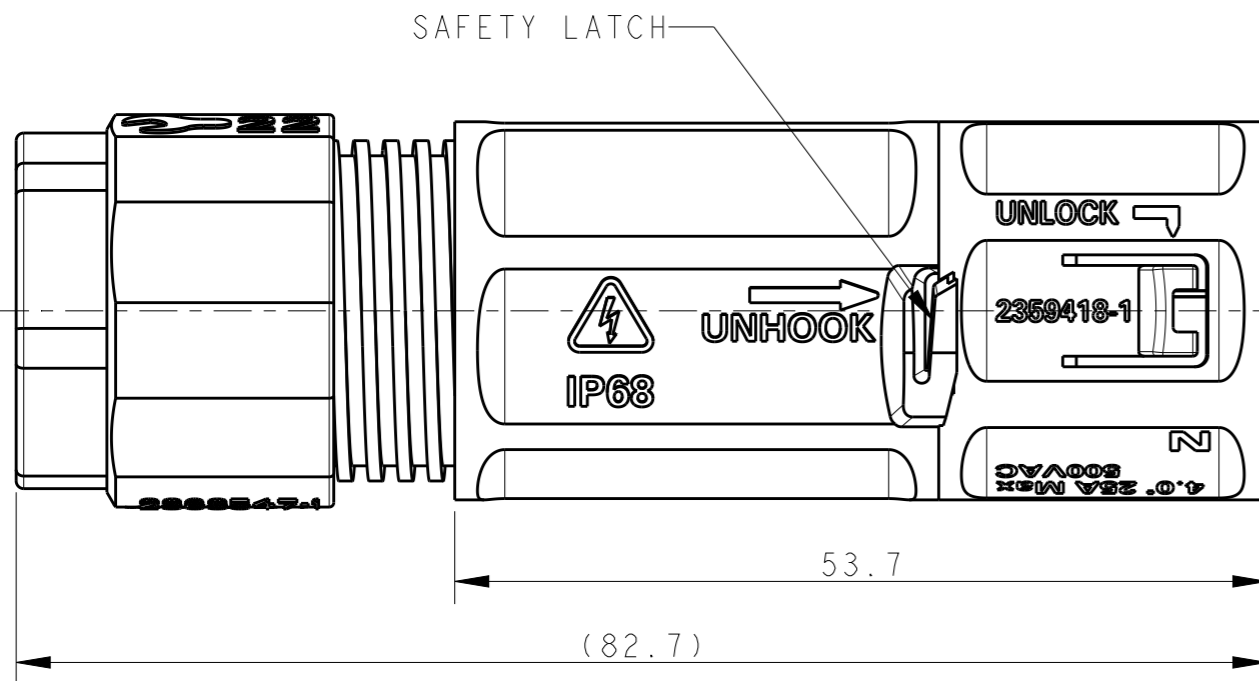


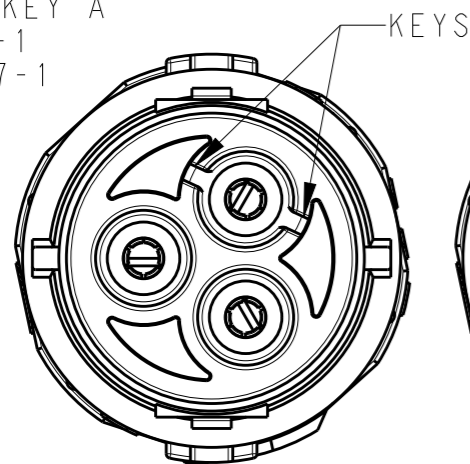
P	LTR	DESCRIPTION	DATE	DWN	APVD
1		INITIAL ISSUE	28AUG2020	SM	MZ
2		INFORMATION ADDED TO SHEET 2	03SEP2020	SM	MZ
3		DRAWING FORMAT UPDATES	24NOV2020	SM	-
A		PRODUCT UNDER TESTING	24NOV2020	SM	MZ



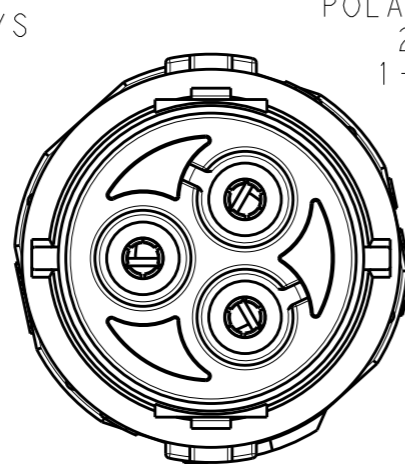
NOTES:

- MATERIALS:
PLASTICS: PBT+PC ALLOY, UL-V0, UV-F1
CONTACTS: COPPER ALLOY, TIN PLATED
- OPERATING RATINGS :
VOLTAGE (max): 600Vac Max
CURRENT (max): 25A ON 4.0mm² & 20A ON 12AWG
TEMPERATURE : -40°C TO 85°C
IP RATING : IP67 & IP68
- FOR ASSEMBLY INSTRUCTIONS, REFER APPLICATION SPECIFICATION 114-133123
- PACKAGING: MOQ 200 pcs IN PE BAG

POLARIZING KEY A
2379237-1
1-2379237-1

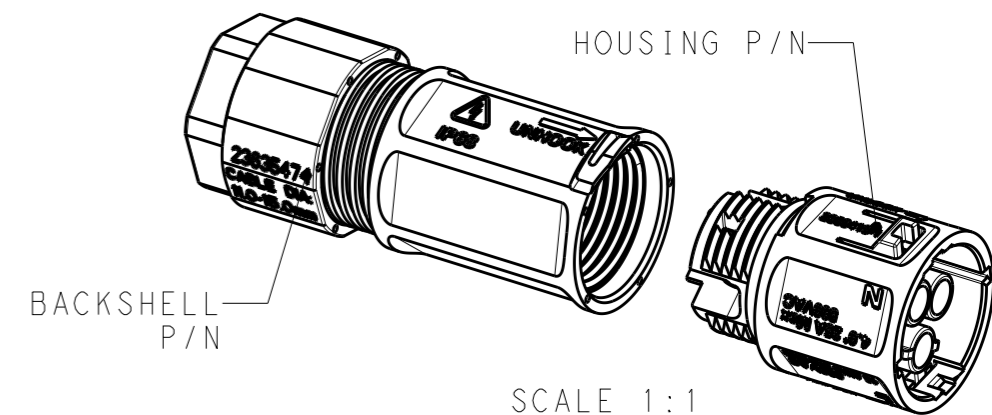


POLARIZING KEY B
2379237-2
1-2379237-2

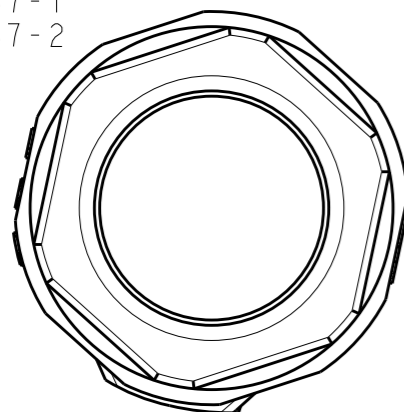


PRODUCT UNDER TESTING

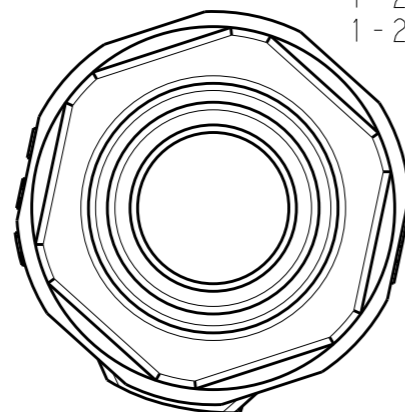
CONTACT PRODUCT ENGINEERING BEFORE USING THIS PRINT



BACKSHELL FOR
2379237-1
2379237-2



BACKSHELL FOR
1-2379237-1
1-2379237-2

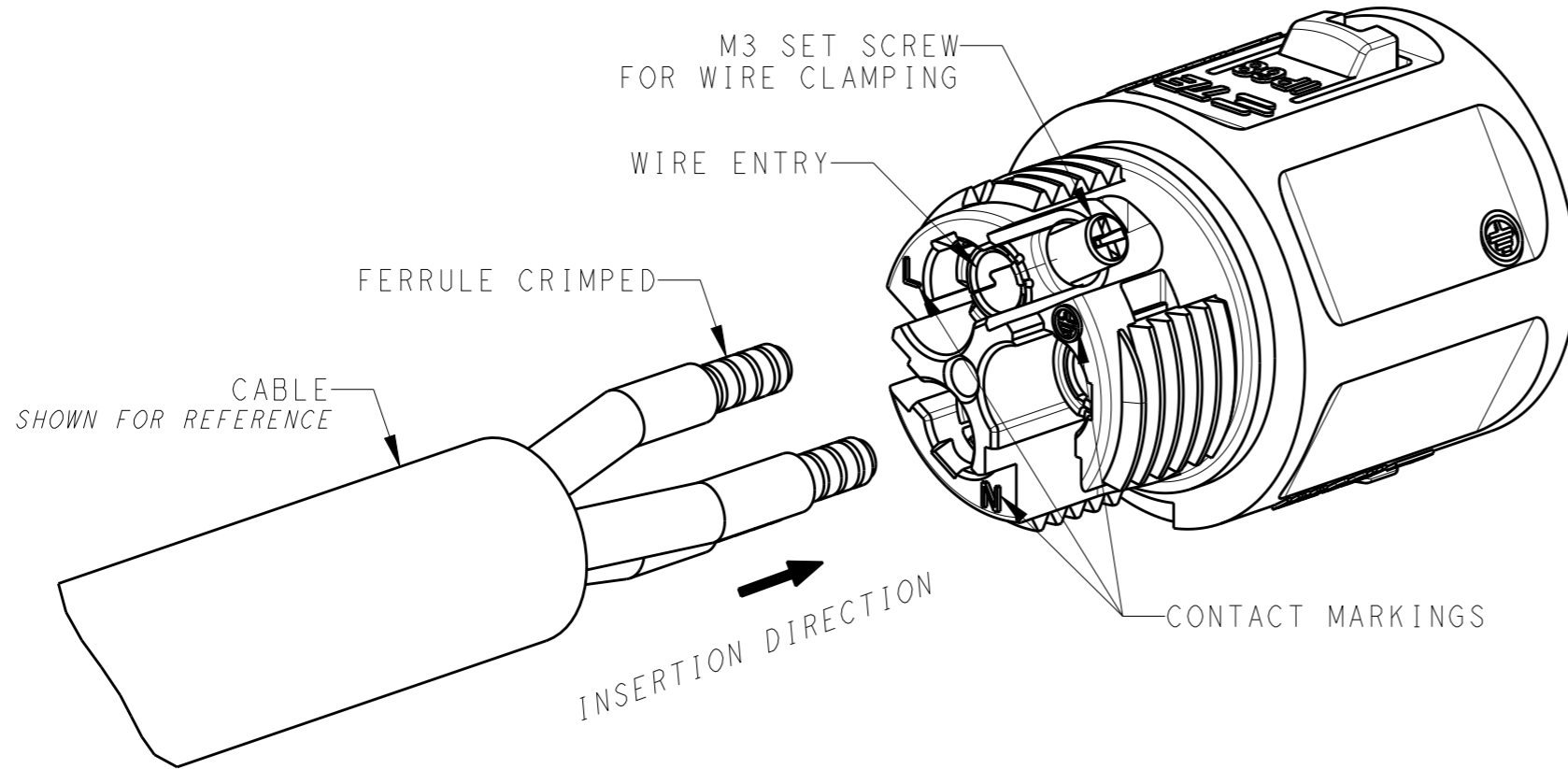


BACKSHELL P/N	HOUSING ASSY P/N	POLARIZING KEY	CABLE RANGE	DESCRIPTION	PART NUMBER
2363547-2	2359418-2	KEY B	∅7 - ∅10	IN-LINE SOCKET CONNECTOR	1-2379237-2
	2359418-1	KEY A			1-2379237-1
2363547-1	2359418-2	KEY B	∅10.5 - ∅15		2379237-2
	2359418-1	KEY A			2379237-1

THIS DRAWING IS A CONTROLLED DOCUMENT.

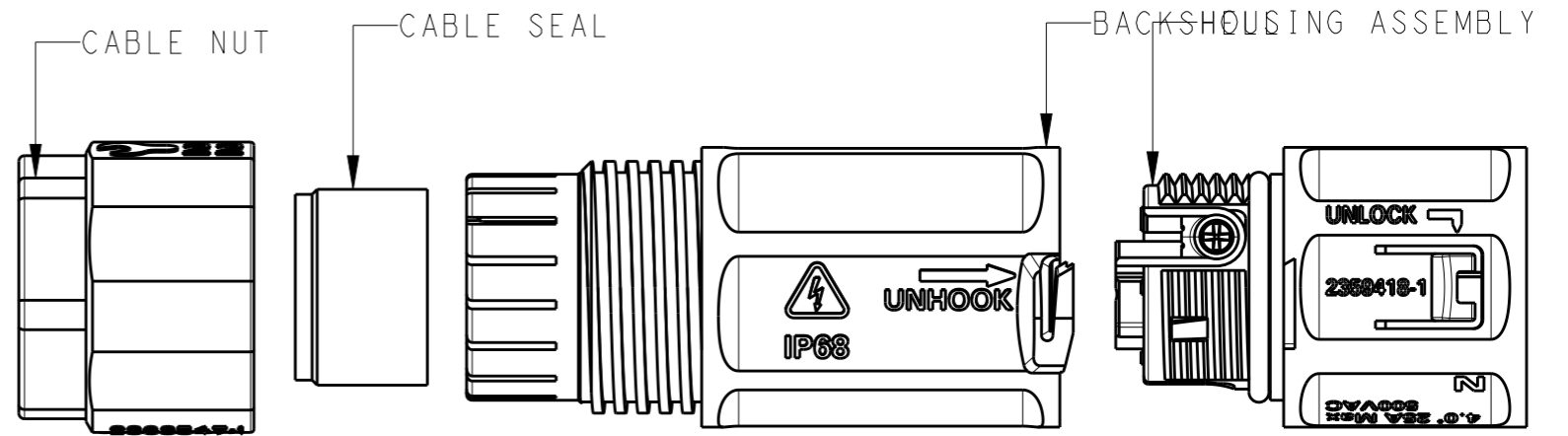
DWN SUBHASH. M 28AUG2020	TE Connectivity NAME NECTOR T, 3Pos, SOCKET CONNECTOR SCREW TYPE						
CHK M. ZUCCA 28AUG2020							
APVD PETER OTT 24NOV2020							
PRODUCT SPEC 108-133123							
MATERIAL -	FINISH -	APPLICATION SPEC 114-133123	WEIGHT -	SIZE A3	CAGE CODE 00779	DRAWING NO C-2379237	RESTRICTED TO -
CUSTOMER DRAWING				SCALE 2:1	SHEET 1 OF 2	REV A	


SCREW TERMINATION
REFER 114-133123 FOR DETAILED INSTRUCTION
NOT TO SCALE



REVISIONS					
P	LTR	DESCRIPTION	DATE	DWN	APVD
-		SEE SHEET 1	-	-	-

EXPLODED COMPONENTS
NOT TO SCALE



THIS DRAWING IS A CONTROLLED DOCUMENT.		DWN SUBHASH. M 28AUG2020	 TE Connectivity		
DIMENSIONS: mm		CHK M. ZUCCA 28AUG2020			
TOLERANCES UNLESS OTHERWISE SPECIFIED:		APVD PETER OTT 24NOV2020	NAME NECTOR T, 3Pos, SOCKET CONNECTOR SCREW TYPE		
0 PLC ±0.2 1 PLC ±0.2 2 PLC ±0.1 3 PLC ± 4 PLC ± ANGLES ±1°		PRODUCT SPEC 108-133123	RESTRICTED TO		
MATERIAL		APPLICATION SPEC 114-133123	SIZE A3	CAGE CODE 00779	DRAWING NO C-2379237
FINISH		WEIGHT -	SCALE 2:1		
-		CUSTOMER DRAWING	SHEET 2 OF 2		
-			REV A		