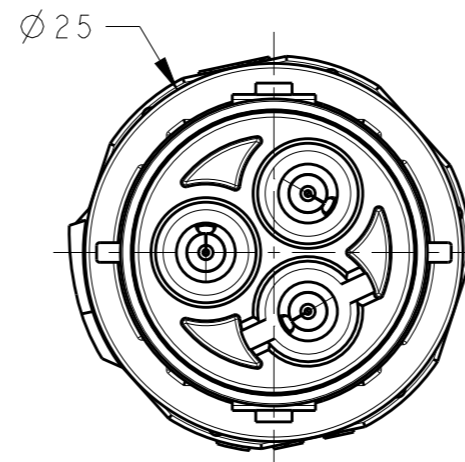
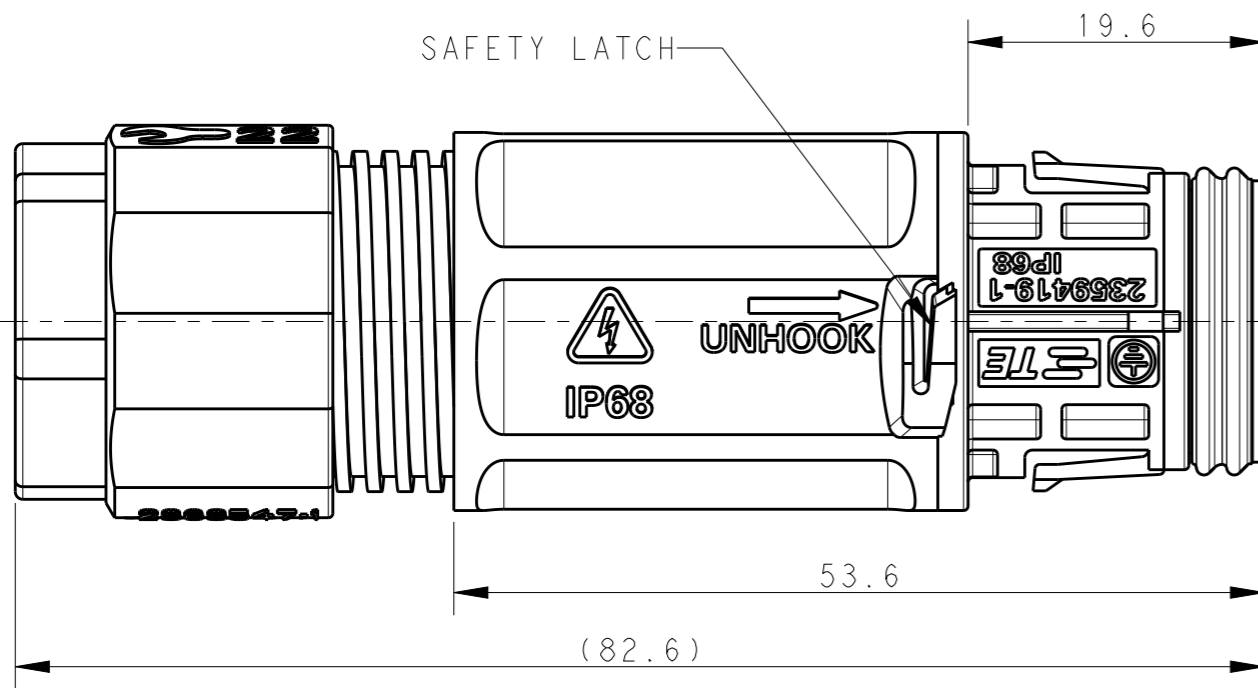


| P | LTR | DESCRIPTION | DATE | DWN | APVD |
|---|-----|------------------------------|-----------|-----|------|
| 1 | | INITIAL ISSUE | 28AUG2020 | SM | MZ |
| 2 | | INFORMATION ADDED TO SHEET 2 | 03SEP2020 | SM | MZ |
| A | | PRODUCT UNDER TESTING | 24NOV2020 | SM | MZ |

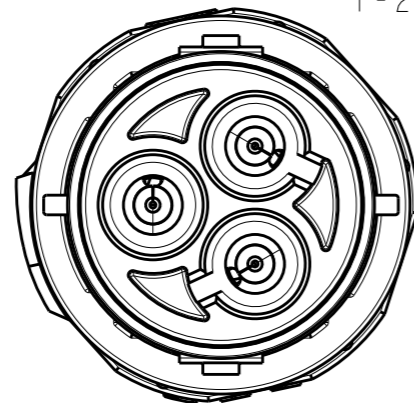
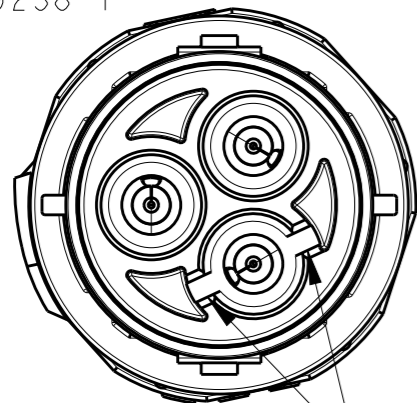


NOTES:

- MATERIALS:
PLASTICS: PBT+PC ALLOY, UL-V0, UV-F1
CONTACTS: COPPER ALLOY, TIN PLATED
- OPERATING RATINGS :
VOLTAGE (max): 600Vac Max
CURRENT (max): 25A ON 4.0mm² & 20A ON 12AWG
TEMPERATURE : -40°C TO 85°C
IP RATING : IP67 & IP68
- FOR ASSEMBLY INSTRUCTIONS, REFER APPLICATION SPECIFICATION 114-133123
- PACKAGING: MOQ 200 pcs IN PE BAG

POLARIZING KEY A
2379238-1
1-2379238-1

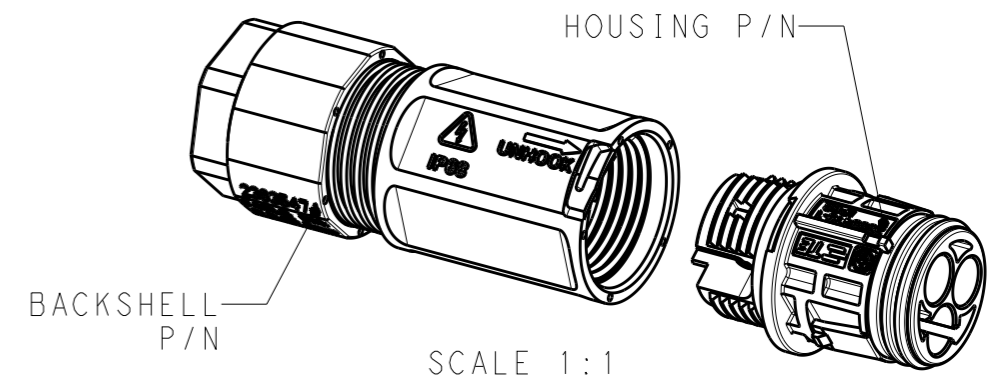
POLARIZING KEY B
2379238-2
1-2379238-2



KEYS

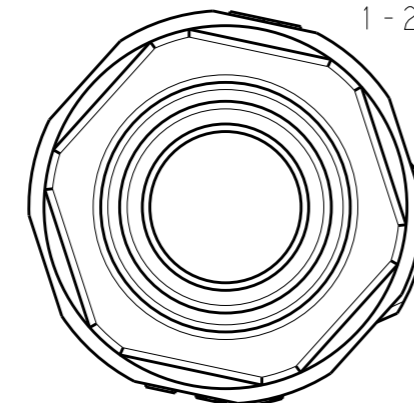
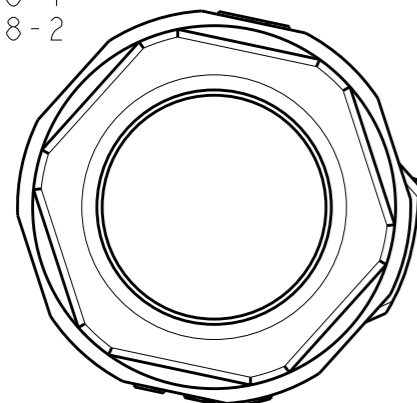
PRODUCT UNDER TESTING

CONTACT PRODUCT ENGINEERING BEFORE USING THIS PRINT



BACKSHELL FOR
2379238-1
2379238-2

BACKSHELL FOR
1-2379238-1
1-2379238-2

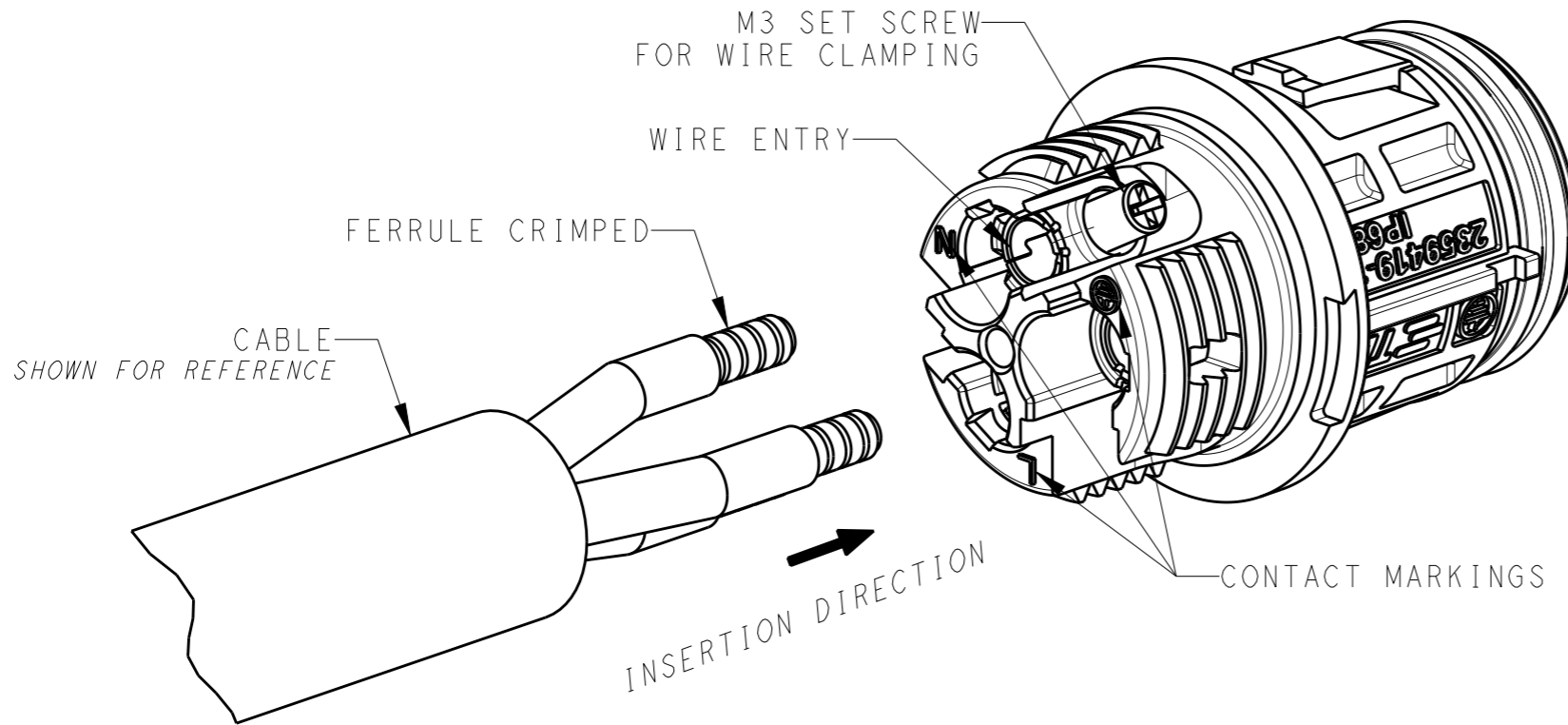


| BACKSHELL P/N | HOUSING ASSY P/N | POLARIZING KEY | CABLE RANGE | DESCRIPTION | PART NUMBER |
|---------------|------------------|----------------|-------------|-----------------------|-------------|
| 2363547-2 | 2359419-2 | KEY B | Ø7 - Ø10 | IN-LINE PIN CONNECTOR | 1-2379238-2 |
| | 2359419-1 | KEY A | | | 1-2379238-1 |
| 2363547-1 | 2359419-2 | KEY B | Ø10.5 - Ø15 | | 2379238-2 |
| | 2359419-1 | KEY A | | | 2379238-1 |

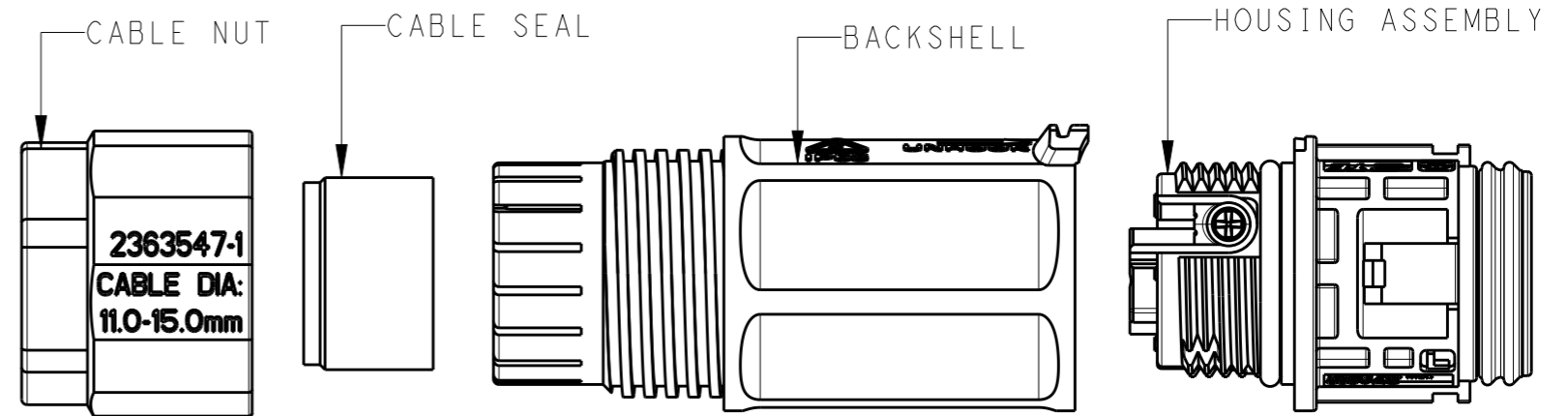
| | | | | | |
|--|--|--------------------------------|---|--------------------|-------------------------|
| THIS DRAWING IS A CONTROLLED DOCUMENT. | | DWN SUBHASH. M 28AUG2020 | TE Connectivity | | |
| DIMENSIONS: mm | | CHK M. ZUCCA 28AUG2020 | | | |
| TOLERANCES UNLESS OTHERWISE SPECIFIED: | | APVD PETER OTT 24NOV2020 | NAME NECTOR T, 3Pos, PIN CONNECTOR SCREW TYPE | | |
| 0 PLC ±0.2 1 PLC ±0.2 2 PLC ±0.1 3 PLC ± 4 PLC ± ANGLES ±1° | | PRODUCT SPEC 108-133123 | SIZE A3 | CAGE CODE 00779 | DRAWING NO C-2379238 |
| MATERIAL | | APPLICATION SPEC 114-133123 | RESTRICTED TO | | |
| FINISH | | WEIGHT | SCALE 2:1 | | SHEET 1 OF 2 |
| | | CUSTOMER DRAWING | REV A | | |

SCREW TERMINATION
 REFER 114-133123 FOR DETAILED INSTRUCTION
 NOT TO SCALE

| P | LTR | DESCRIPTION | DATE | DWN | APVD |
|---|-----|-------------|------|-----|------|
| - | - | SEE SHEET 1 | - | - | - |
| | | | | | |
| | | | | | |



EXPLODED COMPONENTS
 NOT TO SCALE



| | | | | |
|--|--|--------------------------------|---|--------------------|
| THIS DRAWING IS A CONTROLLED DOCUMENT. | | DWN SUBHASH. M 28AUG2020 | TE Connectivity | |
| DIMENSIONS: mm | | CHK M. ZUCCA 28AUG2020 | | |
| TOLERANCES UNLESS OTHERWISE SPECIFIED: | | APVD PETER OTT 24NOV2020 | NAME NECTOR T, 3Pos, PIN CONNECTOR SCREW TYPE | |
| 0 PLC ±0.2 | | PRODUCT SPEC 108-133123 | RESTRICTED TO | |
| 1 PLC ±0.2 | | APPLICATION SPEC 114-133123 | SIZE A3 | CAGE CODE 00779 |
| 2 PLC ±0.1 | | WEIGHT - | DRAWING NO C-2379238 | REV A |
| 3 PLC ± | | CUSTOMER DRAWING | SCALE 2:1 | SHEET 2 OF 2 |
| 4 PLC ± | | | | |
| ANGLES ±° | | | | |
| MATERIAL - | | | | |
| FINISH - | | | | |