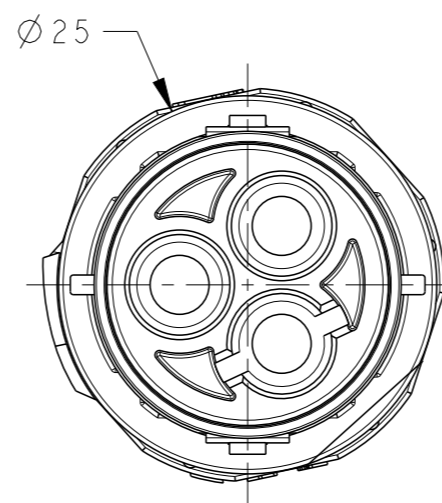
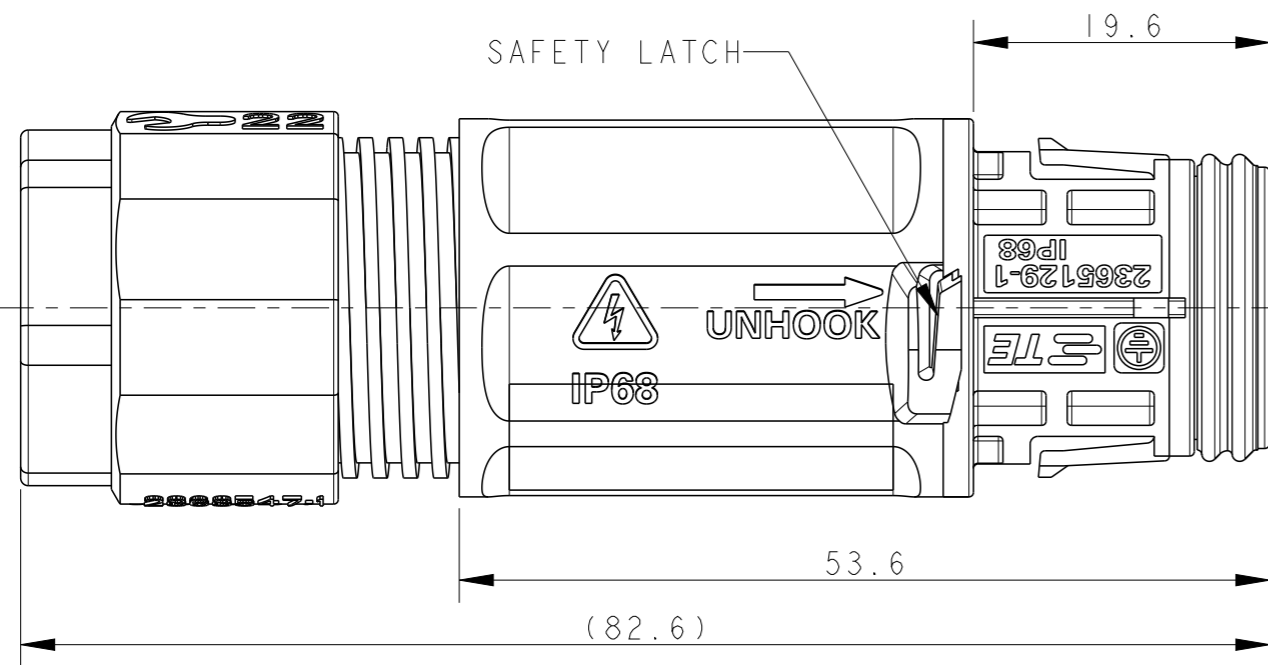


P	LTR	DESCRIPTION	DATE	DWN	APVD
2		INFORMATION ADDED TO SHEET 2	01OCT2020	SM	MZ
3		DRAFTING UPDATES	29OCT2020	SM	MZ
A		PRODUCT UNDER TESTING	24NOV2020	SM	MZ
AI		18AWG WIRE SIZE ADDED	27JAN2022	DM	SM



NOTES:

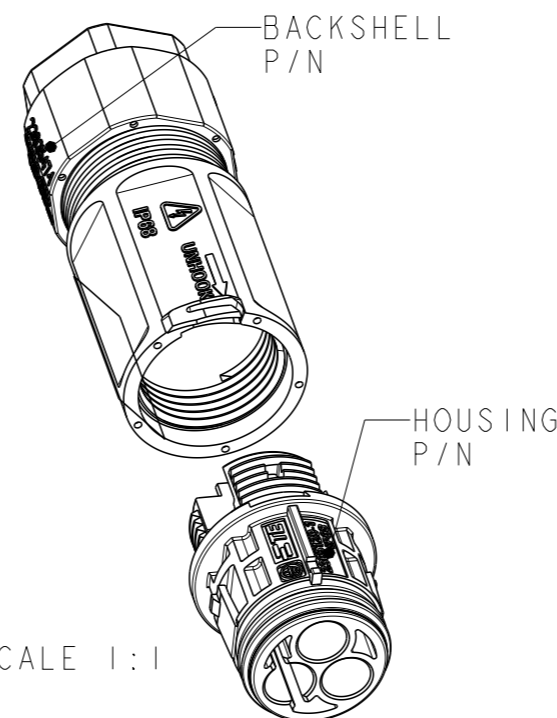
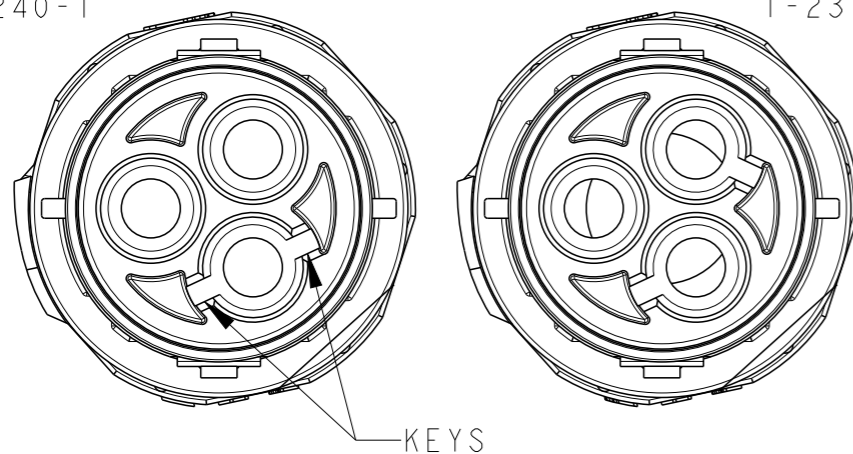
CONTACTS SUPPLIED SEPARATELY ON REELS, MUST PURCHASED ACCORDING TO WIRE SIZES. BELOW ARE THE CONTACT PART NUMBERS:

CONTACT P/N	WIRE SIZE
2359528-1	1.5mm ² TO 2.5mm ² 16AWG TO 14AWG
2359528-2	4.0mm ² 12AWG
2359528-3	18AWG

PRODUCT UNDER TESTING
CONTACT PRODUCT ENGINEERING BEFORE USING THIS PRINT

POLARIZING KEY A
2379240-1
1-2379240-1

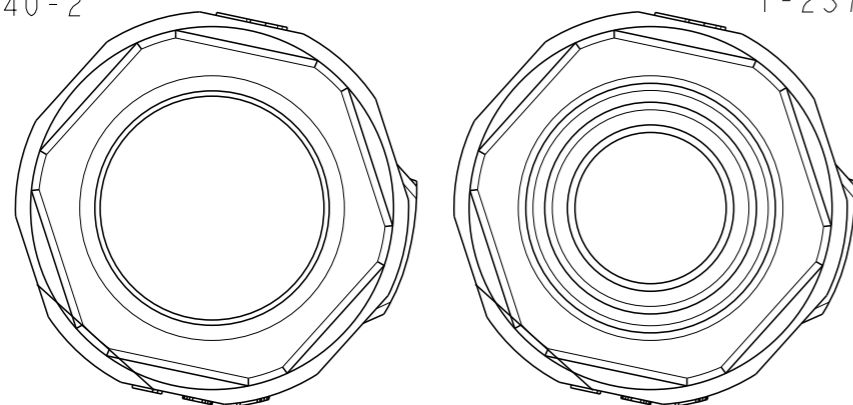
POLARIZING KEY B
2379240-2
1-2379240-2



- MATERIALS:
PLASTICS: PBT+PC ALLOY, UL-V0, UV-FI
CONTACTS: COPPER ALLOY, TIN PLATED
SCREWS : STAINLESS STEEL
- OPERATING RATINGS :
VOLTAGE (max): 600Vac Max
CURRENT (max): 25A ON 4.0mm² & 20A ON 12AWG
TEMPERATURE : -40°C TO 85°C
IP RATING : IP67 & IP68
- FOR ASSEMBLY INSTRUCTIONS, REFER APPLICATION SPECIFICATION 114-133123
- PACKAGING: MOQ 200 pcs IN PE BAG

BACKSHELL FOR
2379240-1
2379240-2

BACKSHELL FOR
1-2379240-1
1-2379240-2



BACKSHELL P/N	HOUSING ASSY P/N	POLARIZING KEY	CABLE RANGE	DESCRIPTION	PART NUMBER
2363547-2	2365129-2	KEY B	∅7 - ∅10	IN-LINE PIN CONNECTOR	1-2379240-2
	2365129-1	KEY A			1-2379240-1
2363547-1	2365129-2	KEY B	∅10.5 - ∅15		2379240-2
	2365129-1	KEY A			2379240-1

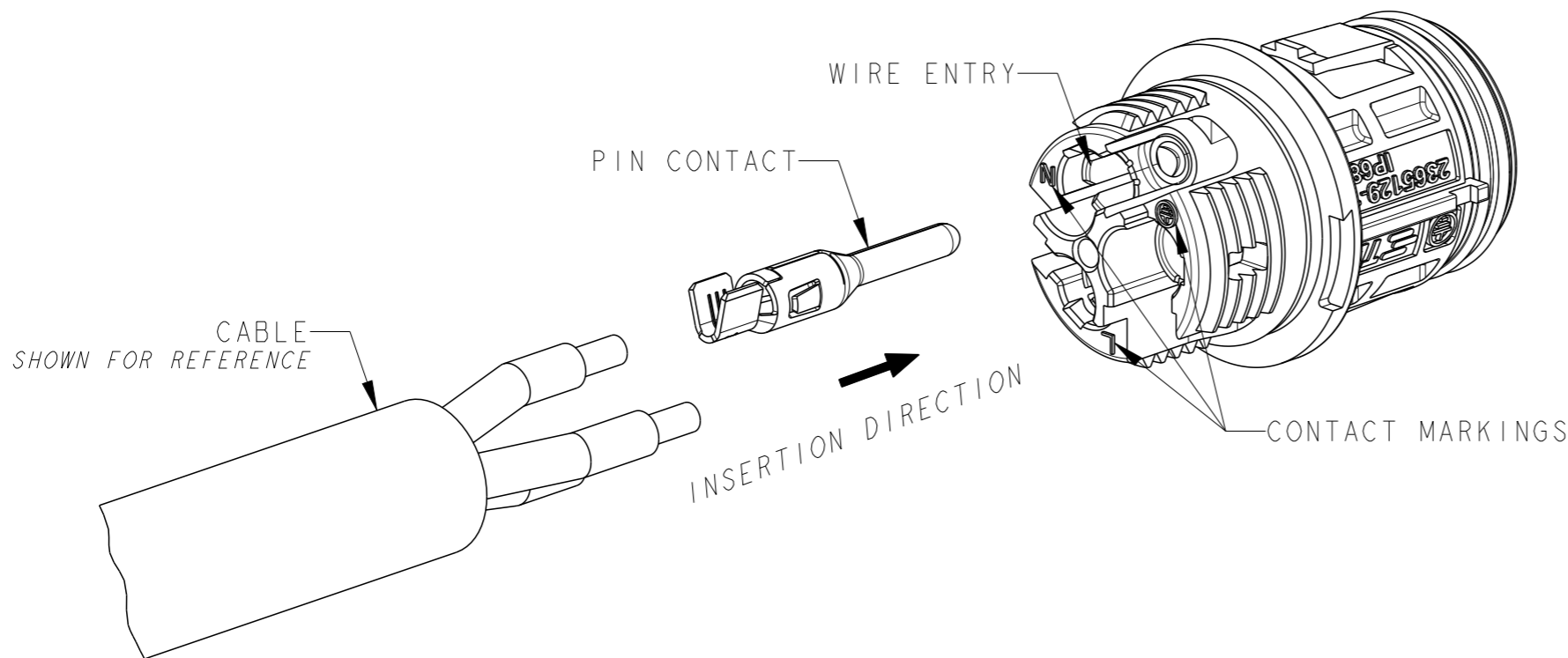
THIS DRAWING IS A CONTROLLED DOCUMENT.

DWN SUBHASH. M 28AUG2020	TE Connectivity NAME NECTOR T, 3Pos, PIN CONNECTOR CRIMP TYPE						
CHK M. ZUCCA 28AUG2020							
APVD PETER OTT 24NOV2020							
PRODUCT SPEC 108-133123							
MATERIAL -	FINISH -	APPLICATION SPEC 114-133123	WEIGHT -	SIZE A3	CAGE CODE 00779	DRAWING NO C-2379240	RESTRICTED TO -
CUSTOMER DRAWING				SCALE 2:1	SHEET 1 OF 2	REV AI	

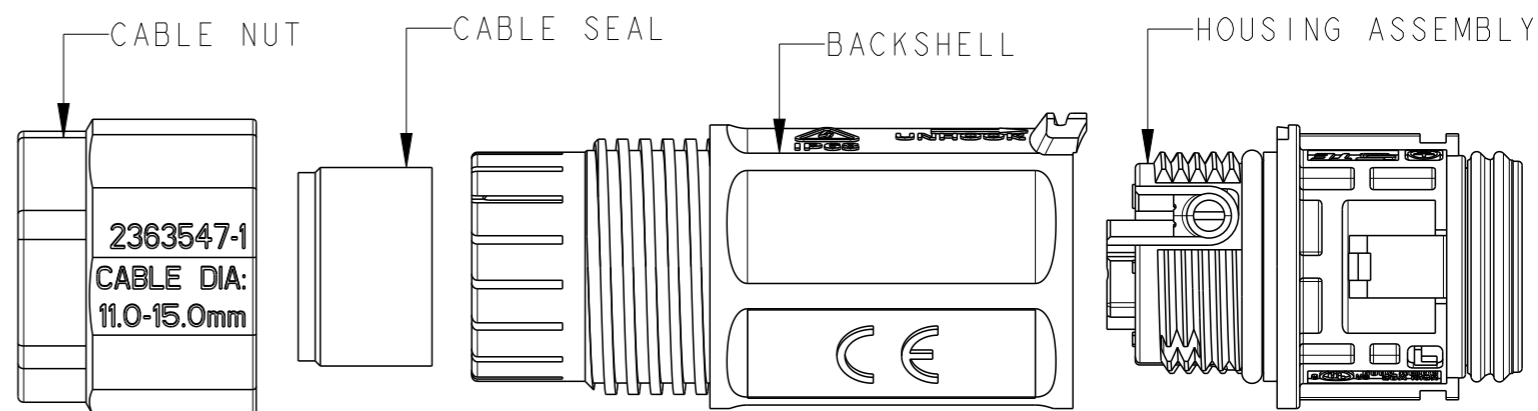
REVISIONS

P	LTR	DESCRIPTION	DATE	DWN	APVD
-	-	SEE SHEET 1	-	-	-

CRIMP TERMINATION
 REFER 114-133123 FOR DETAILED INSTRUCTION
 NOT TO SCALE



EXPLODED COMPONENTS
 NOT TO SCALE



THIS DRAWING IS A CONTROLLED DOCUMENT.		DWN SUBHASH. M 28AUG2020	TE Connectivity													
DIMENSIONS: mm		CHK M. ZUCCA 28AUG2020														
TOLERANCES UNLESS OTHERWISE SPECIFIED:		APVD PETER OTT 24NOV2020	NAME NECTOR T, 3Pos, PIN CONNECTOR CRIMP TYPE													
<table border="0"> <tr> <td>0 PLC</td> <td>±0.2</td> </tr> <tr> <td>1 PLC</td> <td>±0.2</td> </tr> <tr> <td>2 PLC</td> <td>±0.1</td> </tr> <tr> <td>3 PLC</td> <td>±</td> </tr> <tr> <td>4 PLC</td> <td>±</td> </tr> <tr> <td>ANGLES</td> <td>±1°</td> </tr> </table>		0 PLC	±0.2	1 PLC	±0.2	2 PLC	±0.1	3 PLC	±	4 PLC	±	ANGLES	±1°	PRODUCT SPEC 108-133123	SIZE A3	
0 PLC	±0.2															
1 PLC	±0.2															
2 PLC	±0.1															
3 PLC	±															
4 PLC	±															
ANGLES	±1°															
MATERIAL -		APPLICATION SPEC 114-133123	CAGE CODE 00779	DRAWING NO C-2379240												
FINISH -		WEIGHT -	RESTRICTED TO -													
-		CUSTOMER DRAWING	SCALE 2:1	SHEET 2 OF 2												
-			REV A1													