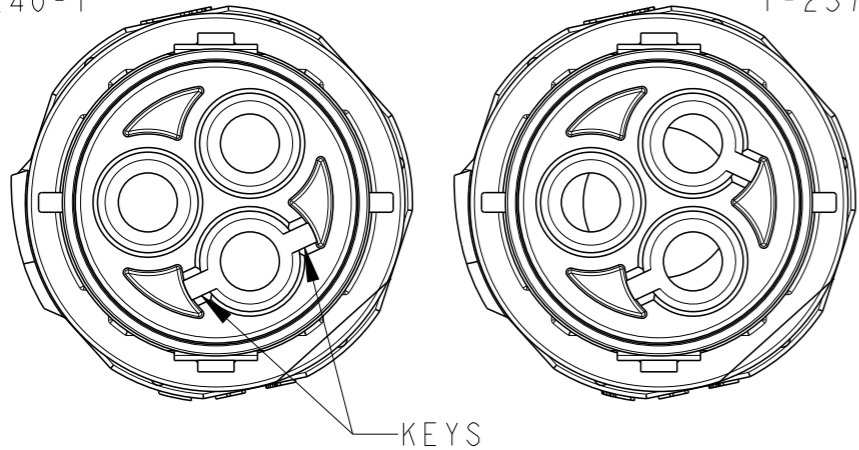


SCALE 1:1

**PRODUCT UNDER TESTING**  
CONTACT PRODUCT ENGINEERING BEFORE USING THIS PRINT

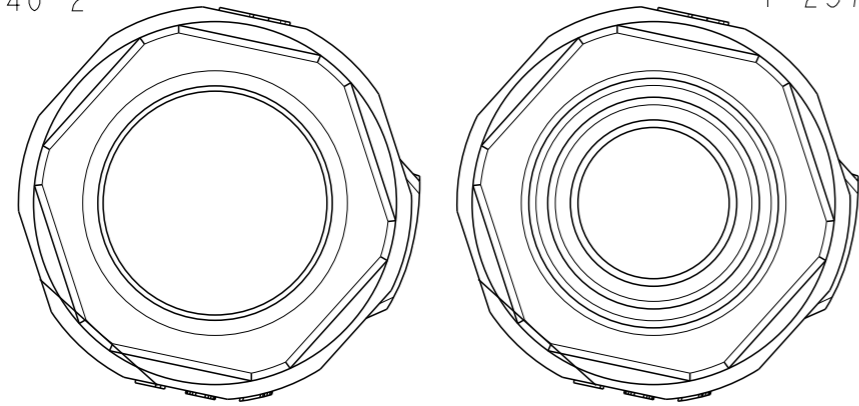
POLARIZING KEY A  
2379240-1  
1-2379240-1

POLARIZING KEY B  
2379240-2  
1-2379240-2



BACKSHELL FOR  
2379240-1  
2379240-2

BACKSHELL FOR  
1-2379240-1  
1-2379240-2



| REVISIONS |     |                              |           |     |      |
|-----------|-----|------------------------------|-----------|-----|------|
| P         | LTR | DESCRIPTION                  | DATE      | DWN | APVD |
|           | 2   | INFORMATION ADDED TO SHEET 2 | 01OCT2020 | SM  | MZ   |
|           | 3   | DRAFTING UPDATES             | 29OCT2020 | SM  | MZ   |
|           | A   | PRODUCT UNDER TESTING        | 24NOV2020 | SM  | MZ   |
|           | AI  | 18AWG WIRE SIZE ADDED        | 27JAN2022 | DM  | SM   |

NOTES:


CONTACTS SUPPLIED SEPARATELY ON REELS, MUST PURCHASED ACCORDING TO WIRE SIZES. BELOW ARE THE CONTACT PART NUMBERS:

| CONTACT P/N | WIRE SIZE  |
|-------------|--|
| 2359528-1   | 1.5mm <sup>2</sup> TO 2.5mm <sup>2</sup><br>16AWG TO 14AWG |
| 2359528-2   | 4.0mm <sup>2</sup><br>12AWG                                |
| 2359528-3   | 18AWG  |

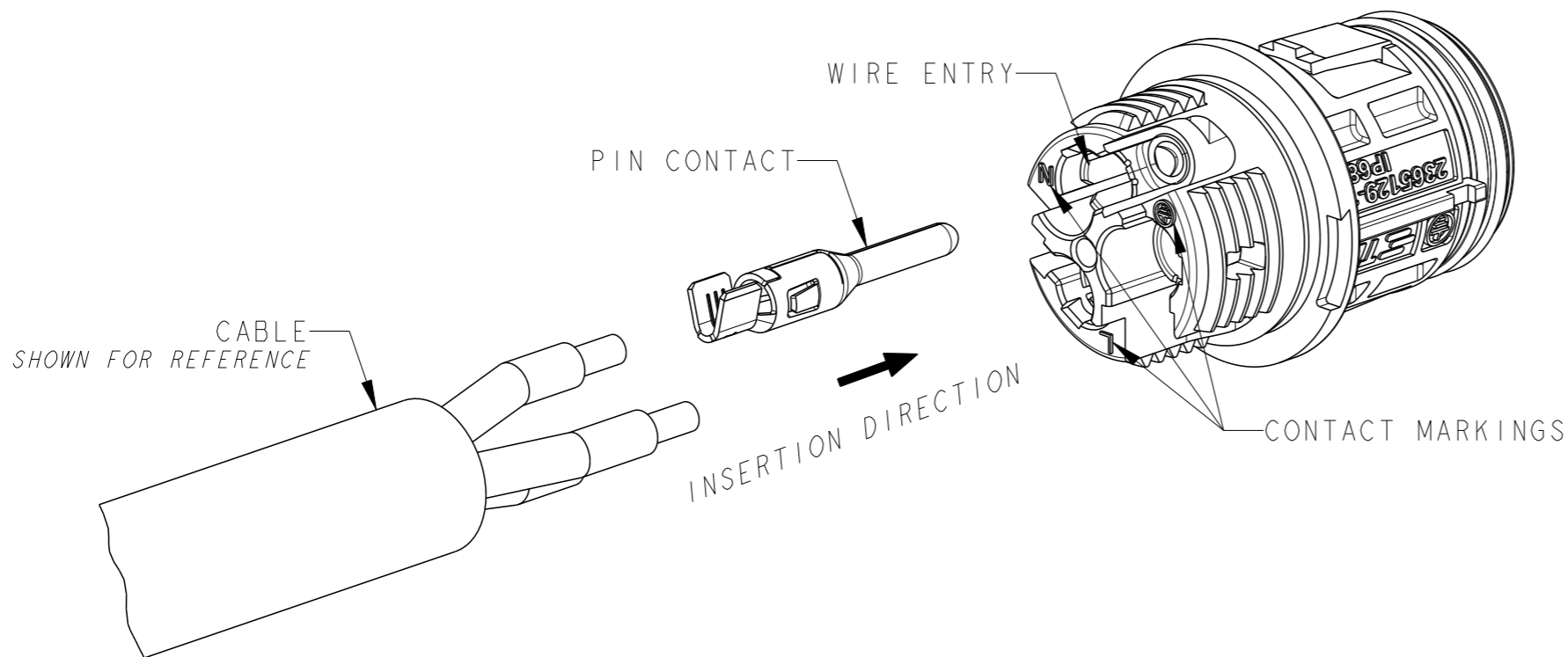
- MATERIALS:  
PLASTICS: PBT+PC ALLOY, UL-V0, UV-FI  
CONTACTS: COPPER ALLOY, TIN PLATED  
SCREWS : STAINLESS STEEL
- OPERATING RATINGS :  
VOLTAGE (max): 600Vac Max  
CURRENT (max): 25A ON 4.0mm<sup>2</sup> & 20A ON 12AWG  
TEMPERATURE : -40°C TO 85°C  
IP RATING : IP67 & IP68
- FOR ASSEMBLY INSTRUCTIONS, REFER APPLICATION SPECIFICATION 114-133123
- PACKAGING: MOQ 200 pcs IN PE BAG

| 2363547-2     | 2365129-2        | KEY B          | Ø7 - Ø10    | IN-LINE PIN CONNECTOR | 1-2379240-2 |
|---------------|------------------|----------------|-------------|-----------------------|-------------|
|               | 2365129-1        | KEY A          |             |                       | 1-2379240-1 |
| 2363547-1     | 2365129-2        | KEY B          | Ø10.5 - Ø15 | IN-LINE PIN CONNECTOR | 2379240-2   |
|               | 2365129-1        | KEY A          |             |                       | 2379240-1   |
| BACKSHELL P/N | HOUSING ASSY P/N | POLARIZING KEY | CABLE RANGE | DESCRIPTION           | PART NUMBER |

THIS DRAWING IS A CONTROLLED DOCUMENT.

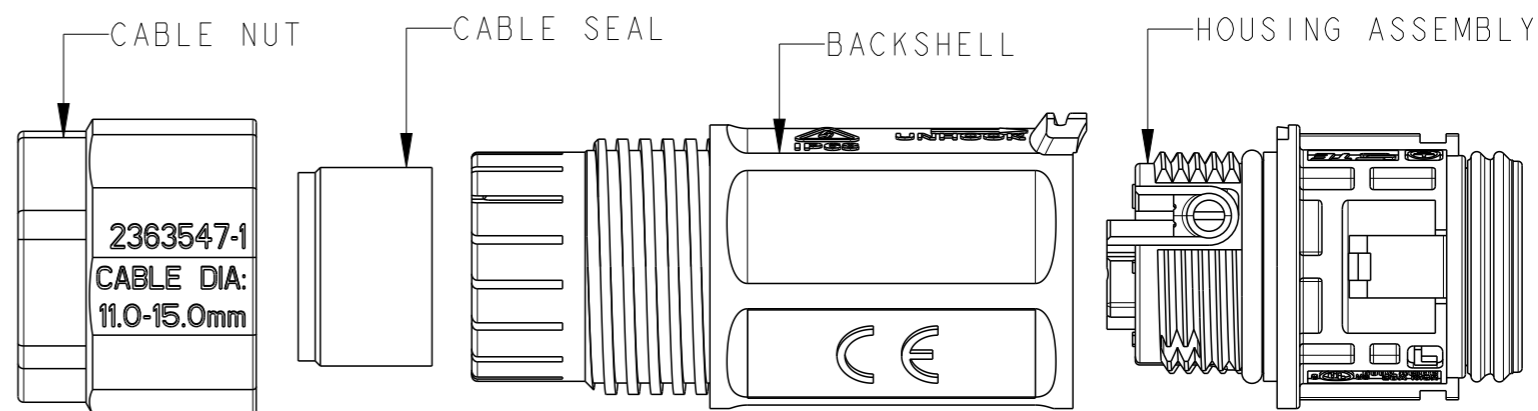
|                                |  |             |                  |              |                 |                    |           |
|--------------------------------|--|-------------|------------------|--------------|-----------------|--------------------|-----------|
| DWN<br>SUBHASH. M<br>28AUG2020 |  TE Connectivity<br>NAME<br>NECTOR T, 3Pos, PIN CONNECTOR<br>CRIMP TYPE |             |                  |              |                 |                    |           |
| CHK<br>M. ZUCCA<br>28AUG2020   |  |             |                  |              |                 |                    |           |
| APVD<br>PETER OTT<br>24NOV2020 |  |             |                  |              |                 |                    |           |
| PRODUCT SPEC<br>108-133123     |  |             |                  |              |                 |                    |           |
| MATERIAL<br>-                  | FINISH<br>-  | WEIGHT<br>- | CUSTOMER DRAWING | SCALE<br>2:1 | SHEET<br>1 OF 2 | RESTRICTED TO<br>- | REV<br>AI |

CRIMP TERMINATION  
REFER 114-133123 FOR DETAILED INSTRUCTION  
NOT TO SCALE



| REVISIONS |     |             |      |     |      |
|-----------|-----|-------------|------|-----|------|
| P         | LTR | DESCRIPTION | DATE | DWN | APVD |
| -         |     | SEE SHEET 1 | -    | -   | -    |
|           |     |             |      |     |      |
|           |     |             |      |     |      |

EXPLODED COMPONENTS  
NOT TO SCALE



|   |      |                                |   |             |              |       |      |       |   |       |   |        |     |                            |            |                    |                         |                    |
|---|------|--------------------------------|---|-------------|--------------|-------|------|-------|---|-------|---|--------|-----|----------------------------|------------|--------------------|-------------------------|--------------------|
| THIS DRAWING IS A CONTROLLED DOCUMENT.  |      | DWN<br>SUBHASH. M<br>28AUG2020 |   |             |              |       |      |       |   |       |   |        |     |                            |            |                    |                         |                    |
| DIMENSIONS:<br>mm   |      | CHK<br>M. ZUCCA<br>28AUG2020   |   |             |              |       |      |       |   |       |   |        |     |                            |            |                    |                         |                    |
| TOLERANCES UNLESS OTHERWISE SPECIFIED:  |      | APVD<br>PETER.OTT<br>24NOV2020 | NAME<br>NECTOR T, 3Pos, PIN CONNECTOR<br>CRIMP TYPE |             |              |       |      |       |   |       |   |        |     |                            |            |                    |                         |                    |
| <table border="1"> <tr><td>0 PLC</td><td>±0.2</td></tr> <tr><td>1 PLC</td><td>±0.2</td></tr> <tr><td>2 PLC</td><td>±0.1</td></tr> <tr><td>3 PLC</td><td>±</td></tr> <tr><td>4 PLC</td><td>±</td></tr> <tr><td>ANGLES</td><td>±1°</td></tr> </table> |      | 0 PLC                          | ±0.2  | 1 PLC       | ±0.2         | 2 PLC | ±0.1 | 3 PLC | ± | 4 PLC | ± | ANGLES | ±1° | PRODUCT SPEC<br>108-133123 | SIZE<br>A3 | CAGE CODE<br>00779 | DRAWING NO<br>C-2379240 | RESTRICTED TO<br>- |
| 0 PLC   | ±0.2 |                                |   |             |              |       |      |       |   |       |   |        |     |                            |            |                    |                         |                    |
| 1 PLC   | ±0.2 |                                |   |             |              |       |      |       |   |       |   |        |     |                            |            |                    |                         |                    |
| 2 PLC   | ±0.1 |                                |   |             |              |       |      |       |   |       |   |        |     |                            |            |                    |                         |                    |
| 3 PLC   | ±    |                                |   |             |              |       |      |       |   |       |   |        |     |                            |            |                    |                         |                    |
| 4 PLC   | ±    |                                |   |             |              |       |      |       |   |       |   |        |     |                            |            |                    |                         |                    |
| ANGLES  | ±1°  |                                |   |             |              |       |      |       |   |       |   |        |     |                            |            |                    |                         |                    |
| MATERIAL<br>-   |      | FINISH<br>-                    | APPLICATION SPEC<br>114-133123                      | WEIGHT<br>- | SCALE<br>2:1 |       |      |       |   |       |   |        |     |                            |            |                    |                         |                    |
|   |      | CUSTOMER DRAWING               | SHEET<br>2 OF 2                                     |             | REV<br>A1    |       |      |       |   |       |   |        |     |                            |            |                    |                         |                    |