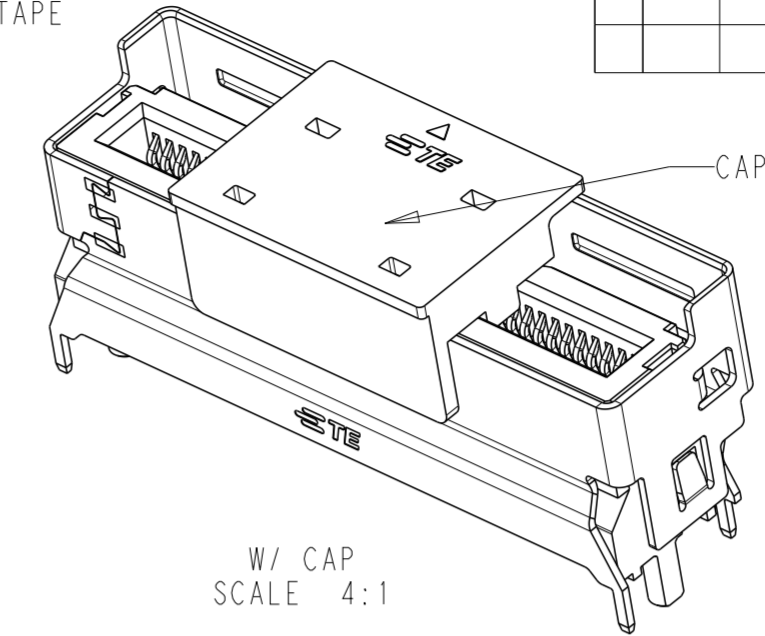
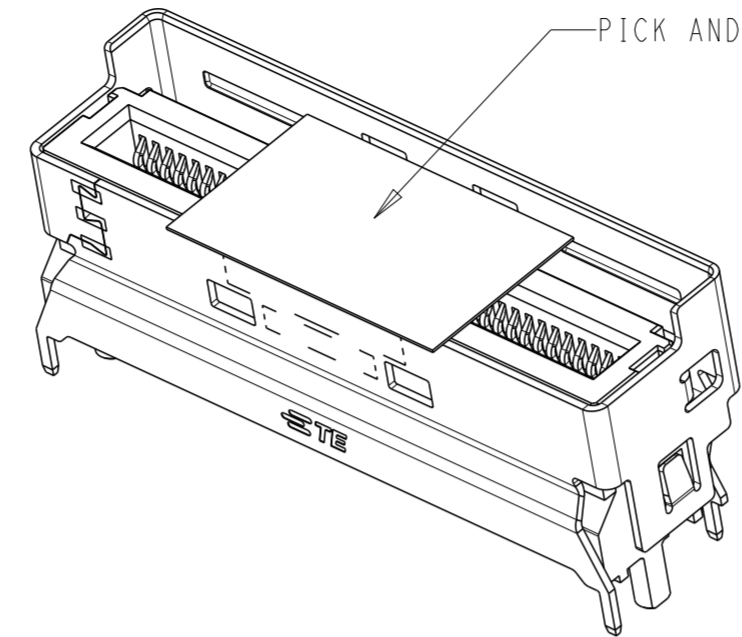
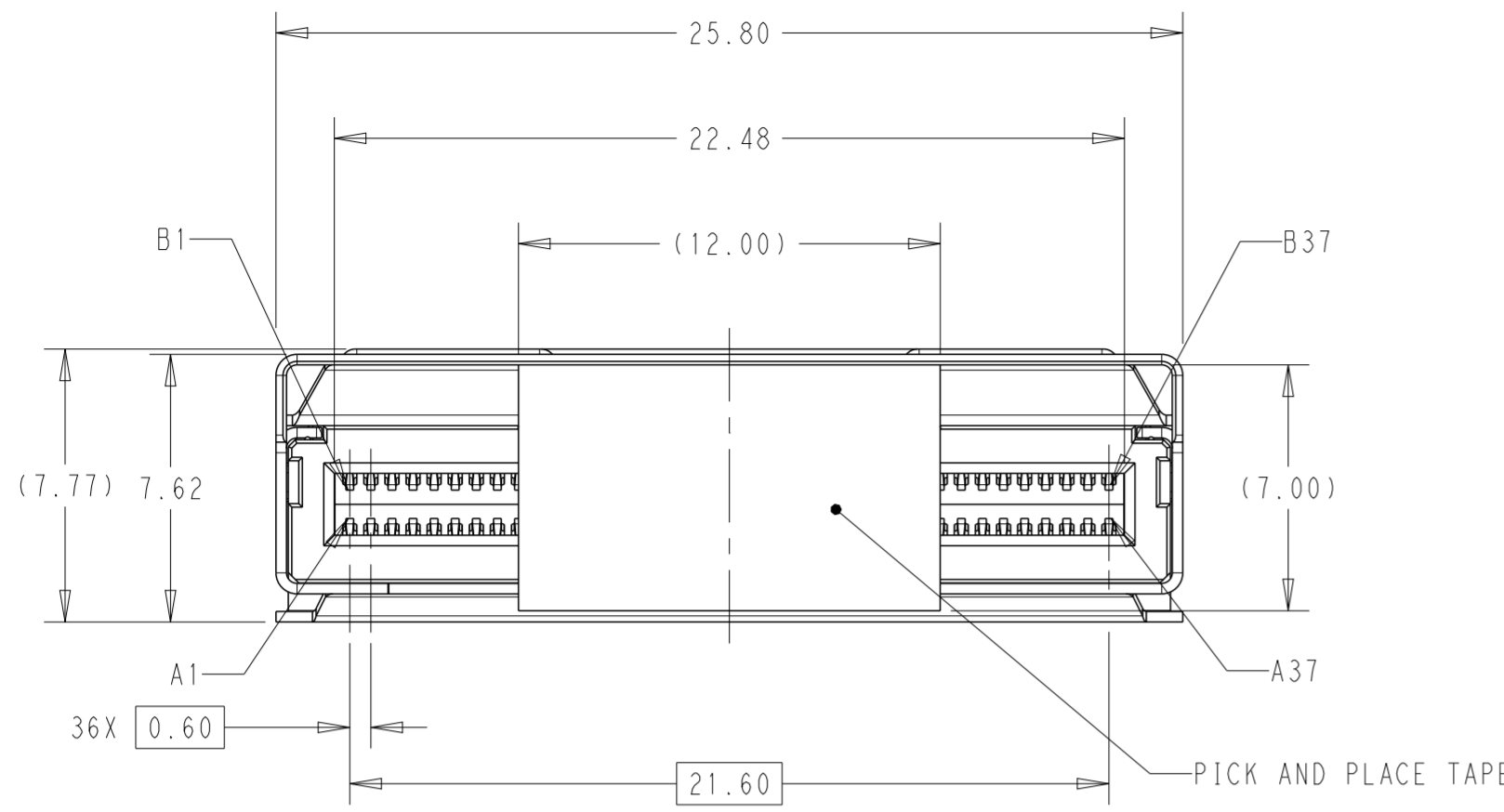
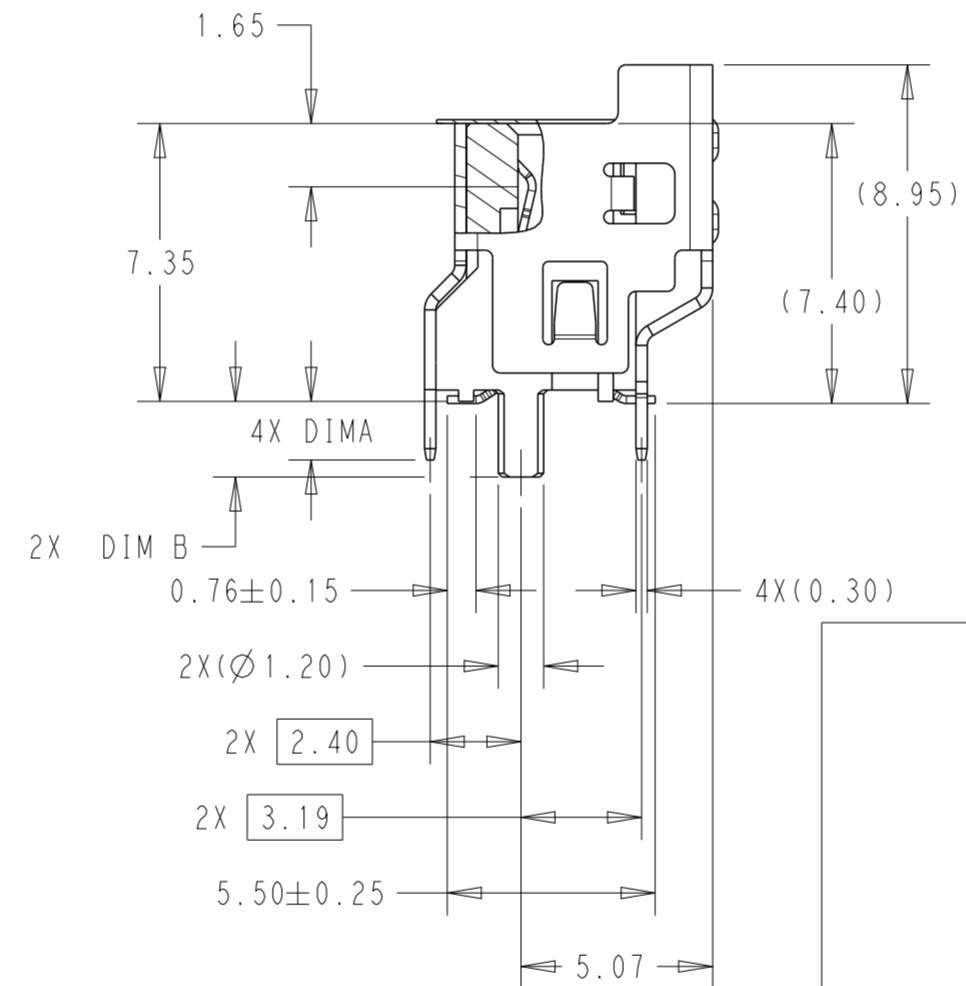
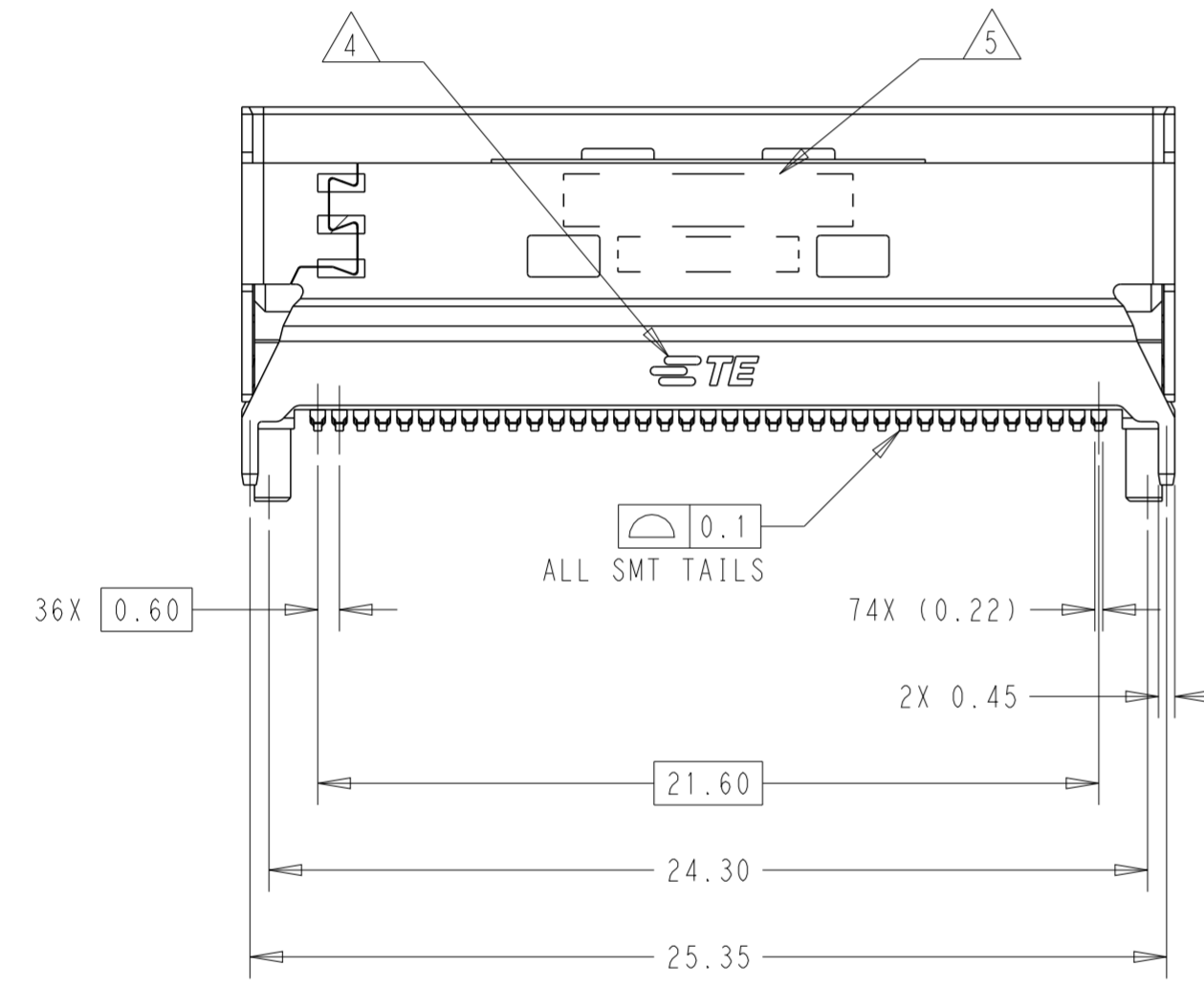
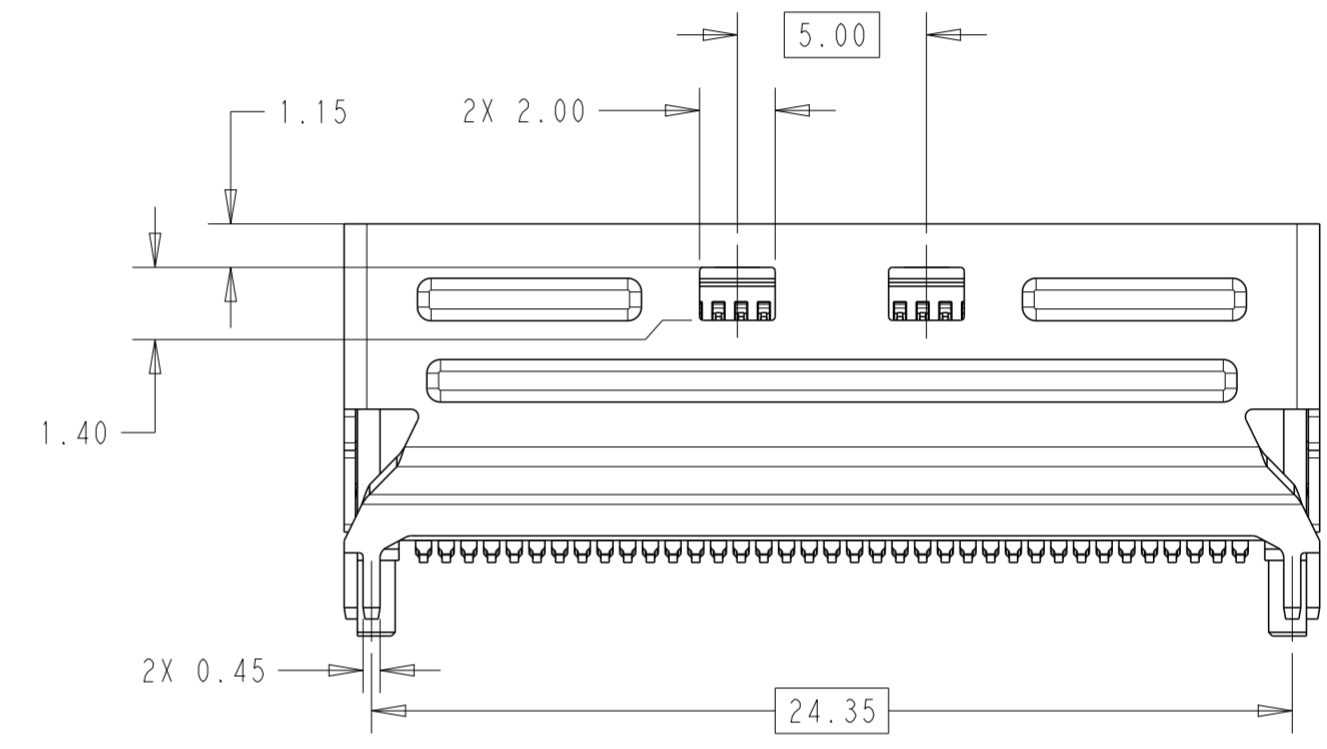


P	LTR	DESCRIPTION	DATE	DWN	APVD
A		RELEASE PER ECN-22-172004	30AUG2022	LL	DZ



W/ CAP SCALE 4:1

W/ PICK AND PLACE TAPE SCALE 4:1



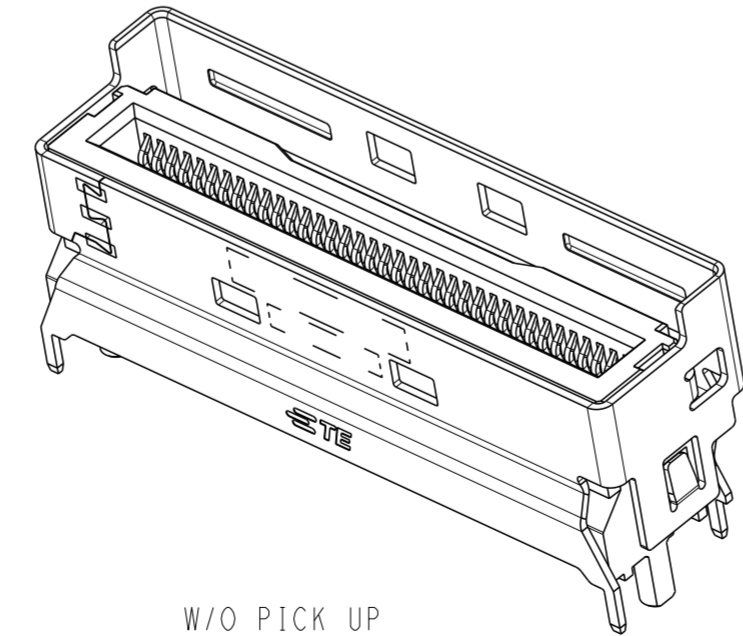
1 MATERIALS:
 PLASTICS: HIGH TEMPERATURE THERMOPLASTIC UL94V-0, COLOR: BLACK.
 SHELL: STAINLESS STEEL
 CONTACT: COPPER ALLOY
 PICK AND PLACE TAPE: POLYIMIDE FILM.

2 FINISH:
 TERMINAL: CONTACT AREA: SELECTED GOLD PLATING, SEE TABLE.
 SOLDER AREA: MATTE TIN PLATING 100u".
 SHELL: UNDERPLATING: NICKEL PLATING 50u" MIN OVERALL.

3 HALOGEN REQUIREMENT MEET CODE 2: LOW BR/CL AS DEFINED IN TEC-138-702.

4 TE CONNECTIVITY LOGO MARKED IN APPROXIMATE AREA SHOWN.

5 PART NUMBER AND DATE CODE MARKED IN APPROXIMATE AREA SHOWN.



W/O PICK UP SCALE 4:1

Q'TY /CARTON (PCS)	POKET TAPE PITCH(MM)	Q'TY /REEL (PCS)	CAP OPTION	CONTACT FINISH	DIM B	DIM A	PART NUMBER
800	20	200	W/O PICK UP	30u" GOLD	2.00	1.50	4-2379397-5
					1.20	1.20	1-2379397-9
			W/CAP	30u" GOLD	2.00	4.20	1-2379397-8
					2.00	3.00	1-2379397-7
					2.00	2.20	1-2379397-6
					2.00	1.50	1-2379397-5
			W/PICK AND PLACE TAPE	15u" GOLD	1.20	1.20	3-2379397-9
					2.00	4.20	1-2379397-4
					2.00	3.00	1-2379397-3
					2.00	2.20	1-2379397-2
					2.00	1.50	1-2379397-1
					1.20	1.20	2379397-9
			W/PICK AND PLACE TAPE	30u" GOLD	2.00	4.20	2379397-8
					2.00	3.00	2379397-7
					2.00	2.20	2379397-6
					2.00	1.50	2379397-5
1.20	1.20	2-2379397-9					
2.00	4.20	2379397-4					
W/PICK AND PLACE TAPE	15u" GOLD	2.00	3.00	2379397-3			
		2.00	2.20	2379397-2			
		2.00	1.50	2379397-1			
		2.00	1.50	2379397-1			

THIS DRAWING IS A CONTROLLED DOCUMENT.

DWN: LEO LI 24SEP2020
 CHK: DAVID ZHANG 24SEP2020
 APVD: DAVID ZHANG 24SEP2020

TE Connectivity

NAME: MINI COOL EDGE IO INTEGRATED CONN.
 0.6 PITCH, VERTICAL STANDARD
 74P, SMT TYPE, 85ohm

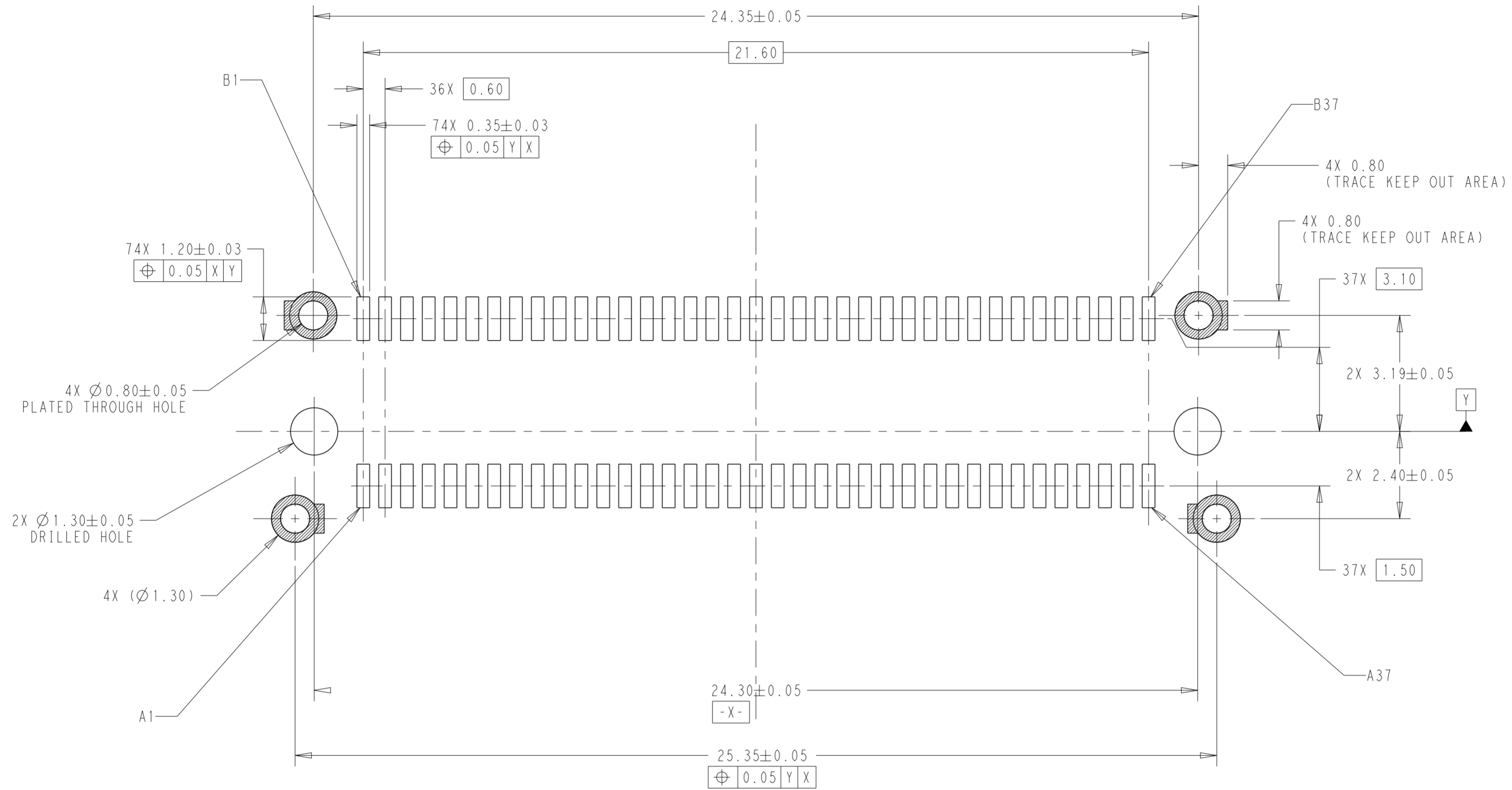
PRODUCT SPEC: 108-60133
 APPLICATION SPEC: 114-60030

SIZE: A2 CAGE CODE: 00779 DRAWING NO: C-2379397 RESTRICTED TO: -


MATERIAL: - FINISH: - WEIGHT: -

CUSTOMER DRAWING SCALE: 5:1 SHEET: 1 OF 5 REV: A

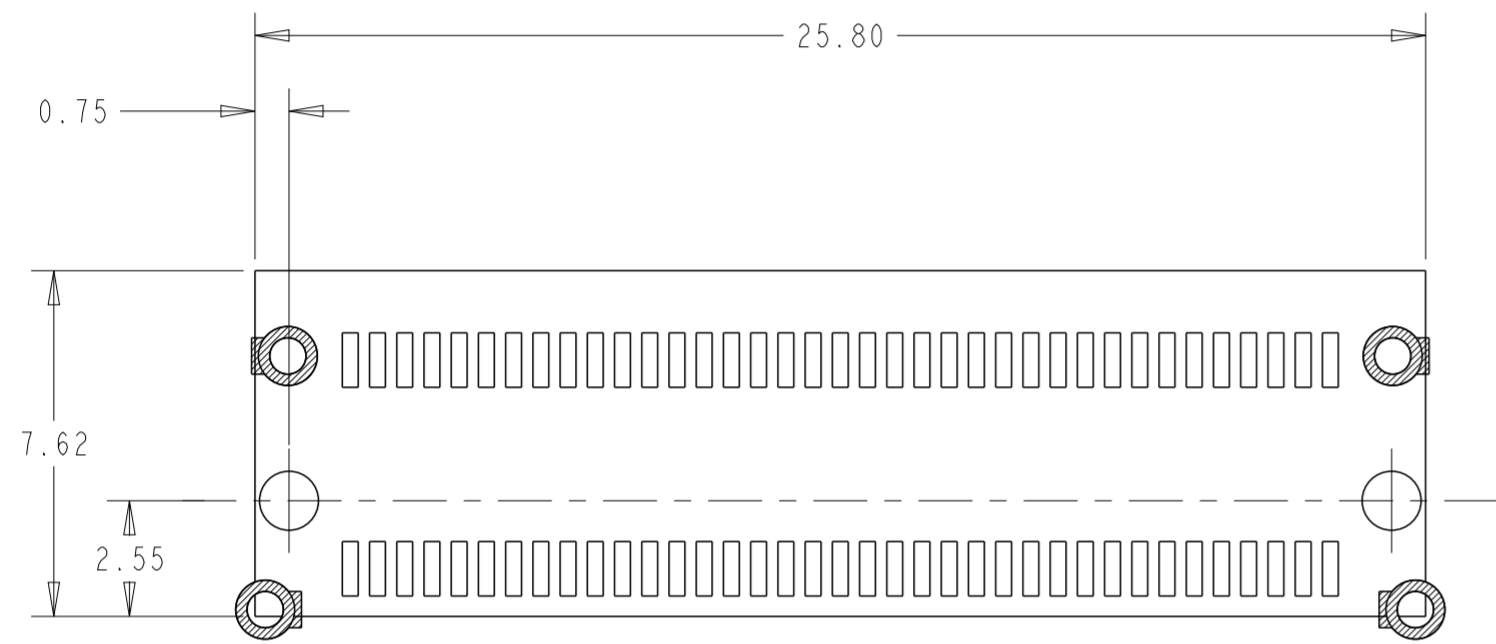
P	LTR	DESCRIPTION	DATE	DWN	APVD
-	-	SEE SHEET 1	-	-	-



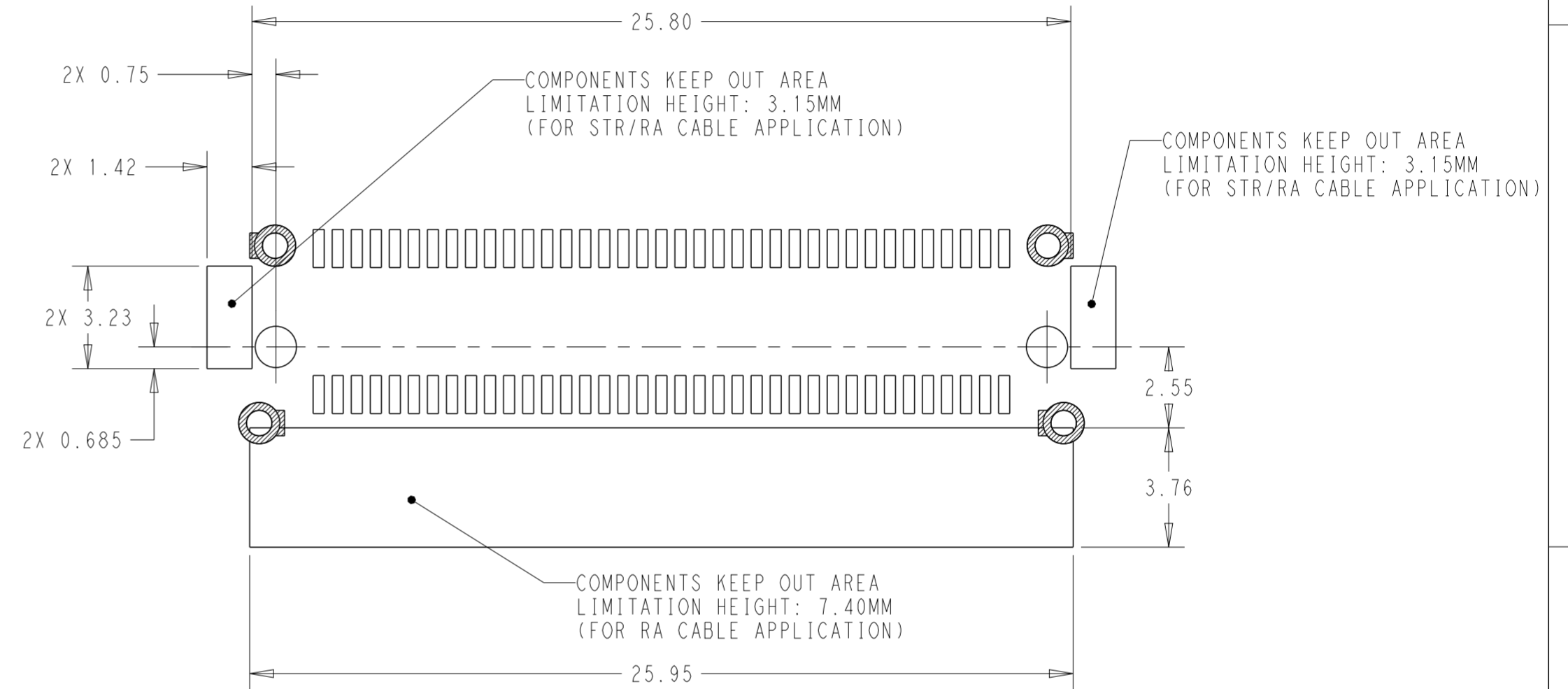
RECOMMENDED PCB LAYOUT
AND TRACE KEEP OUT AREA
SCALE 10:1

THIS DRAWING IS A CONTROLLED DOCUMENT.		DWN LEO LI 24SEP2020	 TE Connectivity	
DIMENSIONS: mm		CHK DAVID ZHANG 24SEP2020		
TOLERANCES UNLESS OTHERWISE SPECIFIED:		APVD DAVID ZHANG 24SEP2020	NAME MINI COOL EDGE IO INTEGRATED CONN. 0.6 PITCH, VERTICAL STANDARD 74P, SMT TYPE, 85ohm	
0 PLC ± 1 PLC ± 2 PLC ±0.20 3 PLC ±0.10 4 PLC ± ANGLES ±2° FINISH		PRODUCT SPEC 108-60133	SIZE A2	CAGE CODE 00779
MATERIAL		APPLICATION SPEC 114-60030	DRAWING NO C-2379397	RESTRICTED TO -
-		WEIGHT -	SCALE 5:1 SHEET 2 OF 5 REV A	
-		CUSTOMER DRAWING		


P	LTR	DESCRIPTION	DATE	DWN	APVD
-	-	SEE SHEET 1	-	-	-



COMPONENTS KEEP OUT AREA
LIMITATION HEIGHT: 0mm
SCALE 6:1

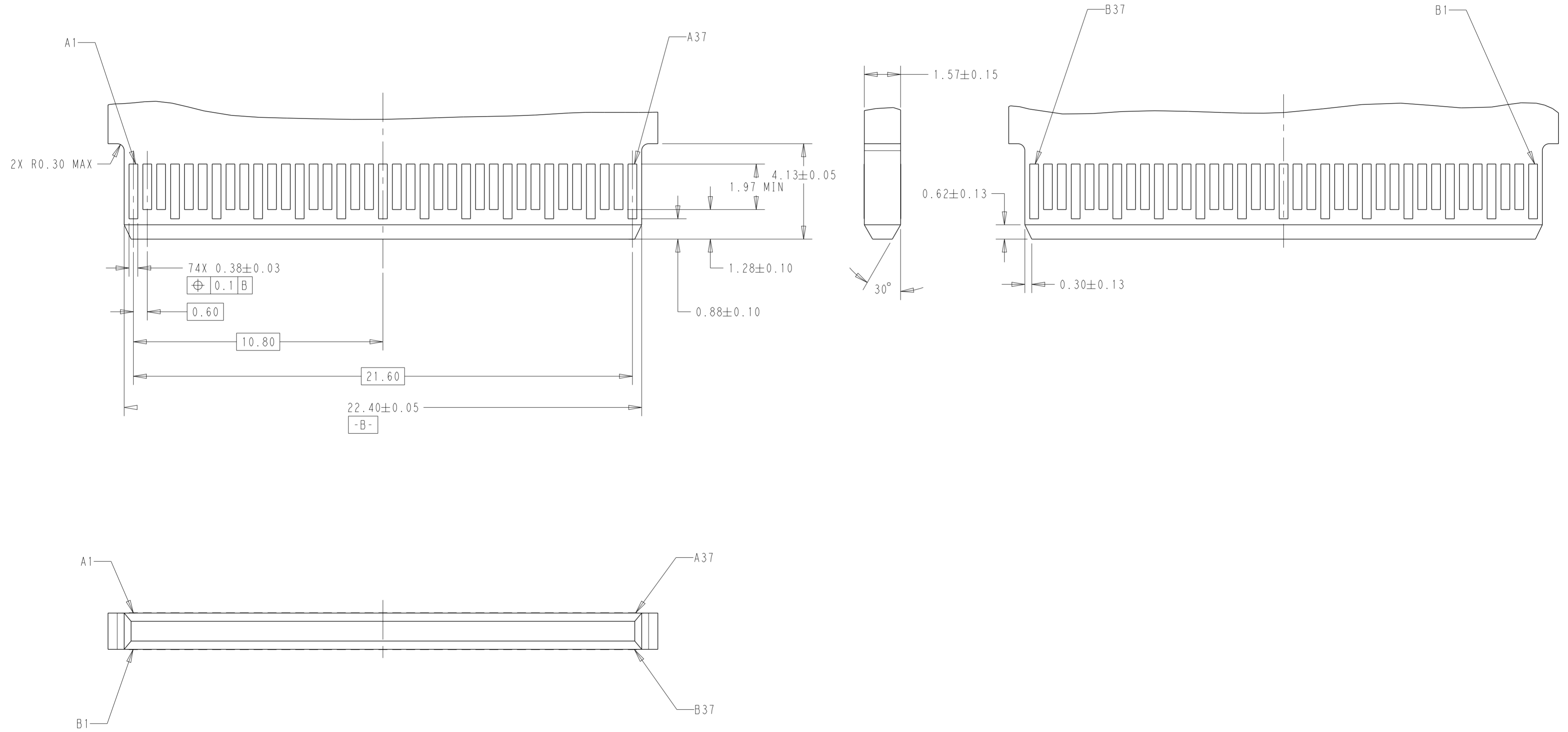



COMPONENTS KEEP OUT AREA
SCALE 6:1

THIS DRAWING IS A CONTROLLED DOCUMENT.		DWN LEO LI 24SEP2020	 TE Connectivity		
DIMENSIONS: mm		CHK DAVID ZHANG 24SEP2020			
TOLERANCES UNLESS OTHERWISE SPECIFIED:		APVD DAVID ZHANG 24SEP2020	NAME MINI COOL EDGE IO INTEGRATED CONN. 0.6 PITCH, VERTICAL STANDARD 74P, SMT TYPE, 85ohm		
0 PLC ± 1 PLC ± 2 PLC ±0.20 3 PLC ±0.10 4 PLC ± ANGLES ±2° FINISH		PRODUCT SPEC 108-60133	SIZE A2	CAGE CODE 00779	DRAWING NO C-2379397
MATERIAL		APPLICATION SPEC 114-60030	RESTRICTED TO	SCALE 5:1 SHEET 3 OF 5 REV A	
-		WEIGHT -	CUSTOMER DRAWING		

P	LTR	DESCRIPTION	DATE	DWN	APVD
-		SEE SHEET 1	-	-	-

RECOMMENDED AIC CARD DIMENSIONS



THIS DRAWING IS A CONTROLLED DOCUMENT.		DWN LEO LI 24SEP2020	 TE Connectivity																						
DIMENSIONS: mm		CHK DAVID ZHANG 24SEP2020																							
TOLERANCES UNLESS OTHERWISE SPECIFIED:		APVD DAVID ZHANG 24SEP2020	NAME MINI COOL EDGE IO INTEGRATED CONN. 0.6 PITCH, VERTICAL STANDARD 74P, SMT TYPE, 85ohm																						
<table border="1"> <tr> <td>0 PLC</td> <td>±</td> <td>-</td> </tr> <tr> <td>1 PLC</td> <td>±</td> <td>-</td> </tr> <tr> <td>2 PLC</td> <td>±</td> <td>0.20</td> </tr> <tr> <td>3 PLC</td> <td>±</td> <td>0.10</td> </tr> <tr> <td>4 PLC</td> <td>±</td> <td>-</td> </tr> <tr> <td>ANGLES</td> <td>±</td> <td>2°</td> </tr> <tr> <td>FINISH</td> <td>-</td> <td>-</td> </tr> </table>		0 PLC	±	-	1 PLC	±	-	2 PLC	±	0.20	3 PLC	±	0.10	4 PLC	±	-	ANGLES	±	2°	FINISH	-	-	PRODUCT SPEC 108-60133	SIZE A2	
0 PLC	±	-																							
1 PLC	±	-																							
2 PLC	±	0.20																							
3 PLC	±	0.10																							
4 PLC	±	-																							
ANGLES	±	2°																							
FINISH	-	-																							
MATERIAL		APPLICATION SPEC 114-60030	CAGE CODE 00779	DRAWING NO C-2379397	RESTRICTED TO -																				
		WEIGHT -	SCALE 5:1		SHEET 4 OF 5																				
		CUSTOMER DRAWING		REV A																					