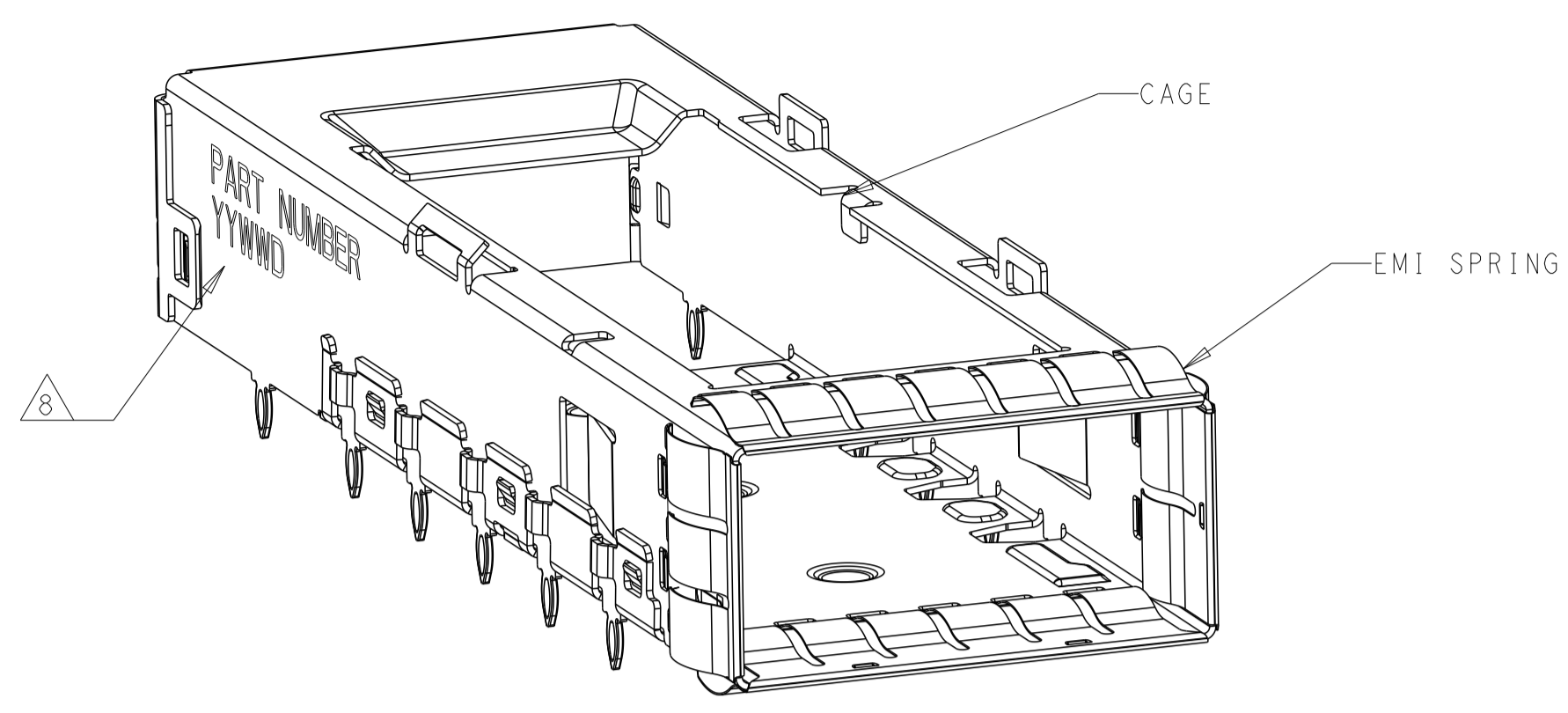
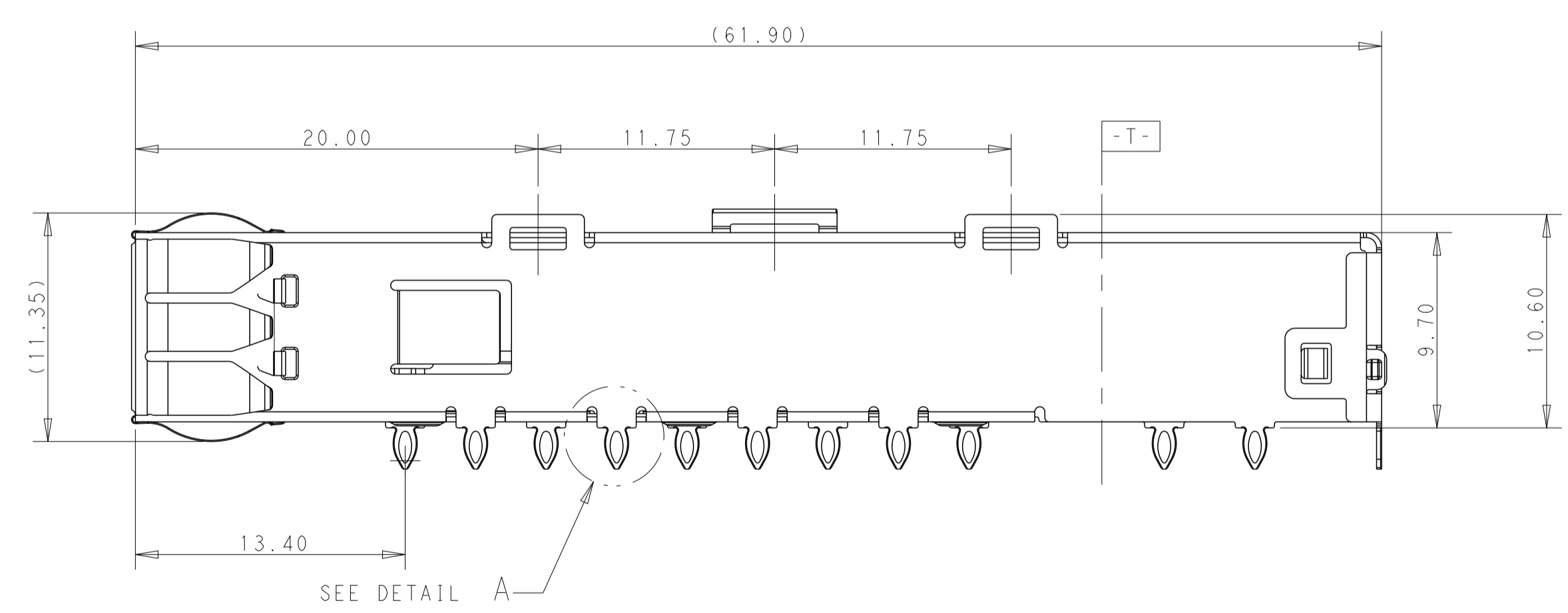
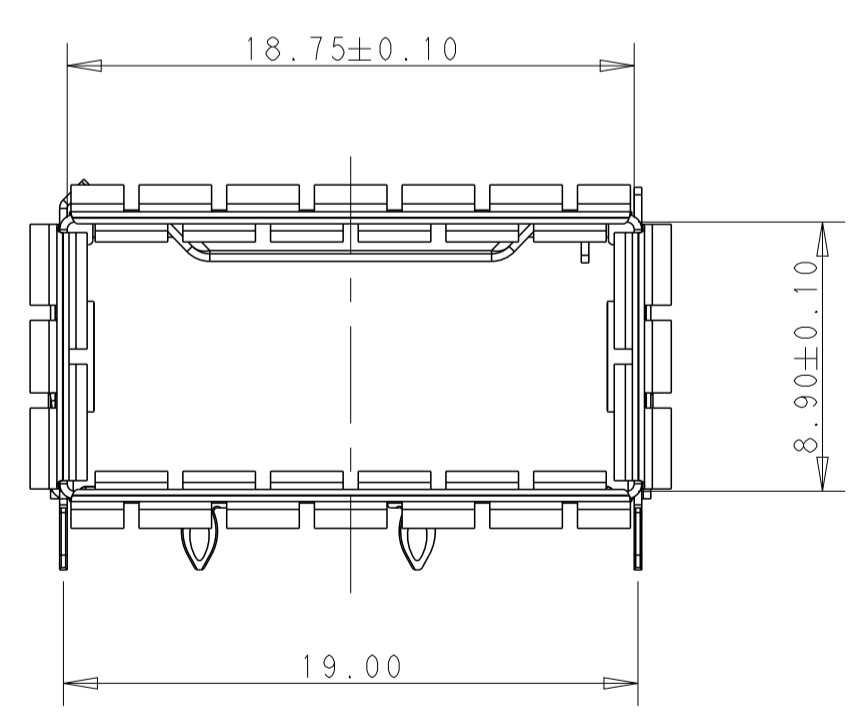
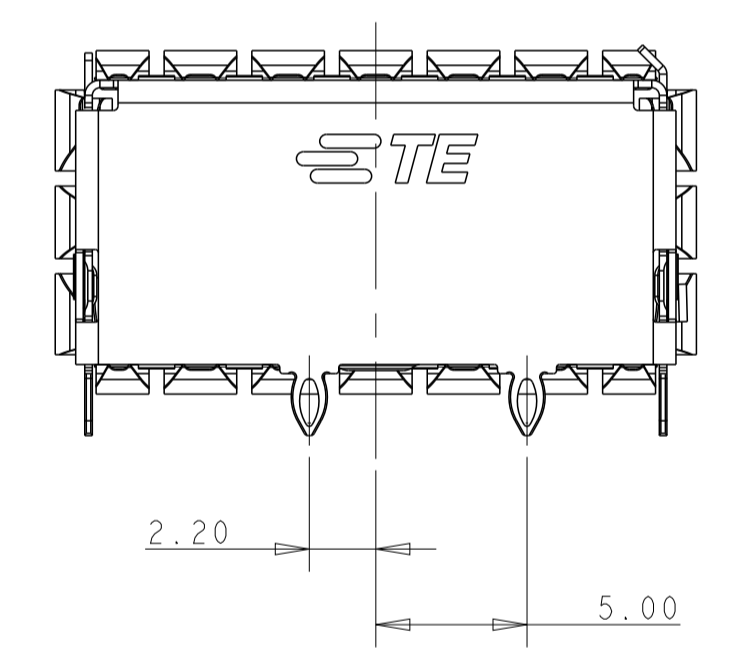
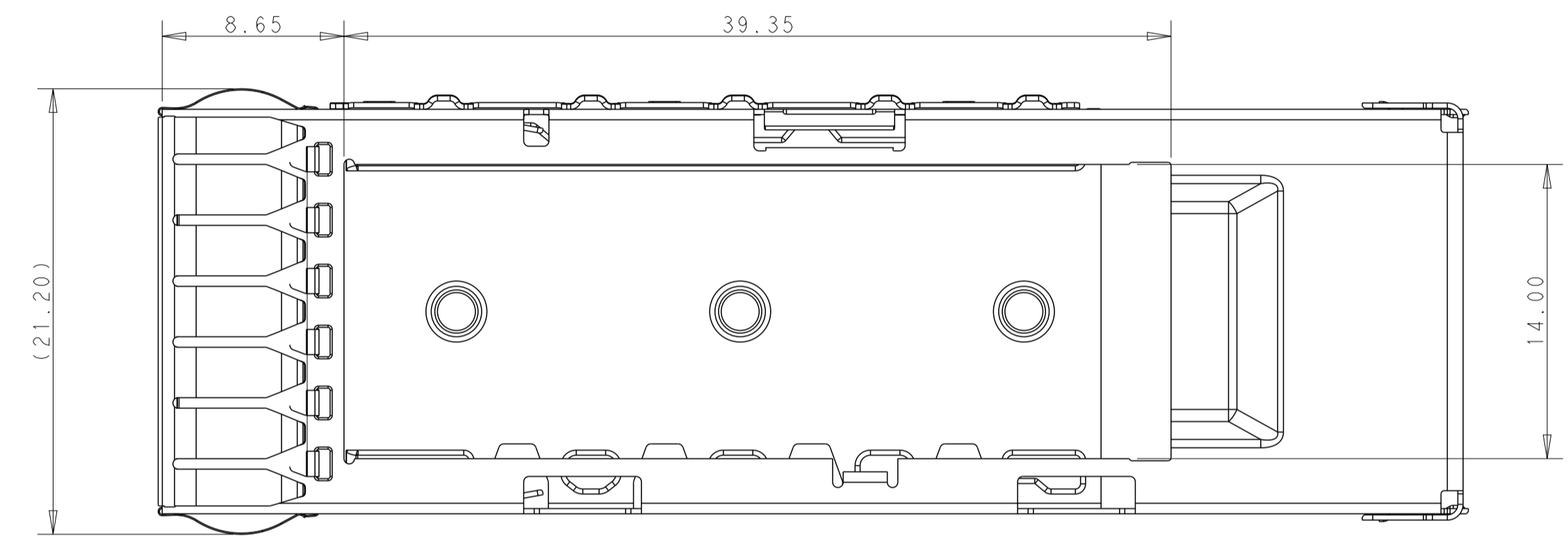


LOC		DIST		REVISIONS			
P	LTN	DESCRIPTION	DATE	DMN	APVD		
A		ECN-22-175374	20SEP2022	VL	ZSH		

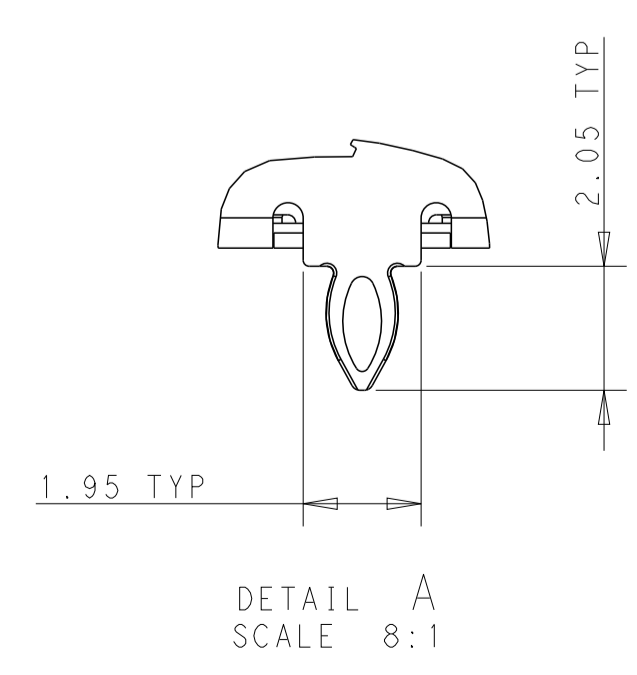


1-2385800-2 AS SHOWN
SCALE 4:1

1. MATERIAL:
CAGE MATERIAL : 0.25 THICK STAINLESS STEEL.
SPRING MATERIAL: COPPER ALLOY
2. FINISH:
SPRING: NICKEL PLATING
3. NOTE DELETE
4. REFERENCE APPLICATION SPEC 114-60025 FOR RECOMMENDED DRILL HOLE DIAMETER AND PLATING THICKNESS.
5. DATUM AND BASIC DIMENSIONS ESTABLISHED BY CUSTOMERS.
6. MINIMUM PC BOARD THICKNESS : SINGLES SIDED: 1.57 MIN
DOUBLE SIDED: 3.00 MIN
7. DATUM [-A-] IS TOP SURFACE OF THE HOST BOARD.
8. DATE CODE (YYWWD) MARKED APPROXIMATELY AS SHOWN
9. MATES WITH QSFP DD MSA COMPATIBLE TRANSCEIVER.



1-2385800-2
SCALE 4:1



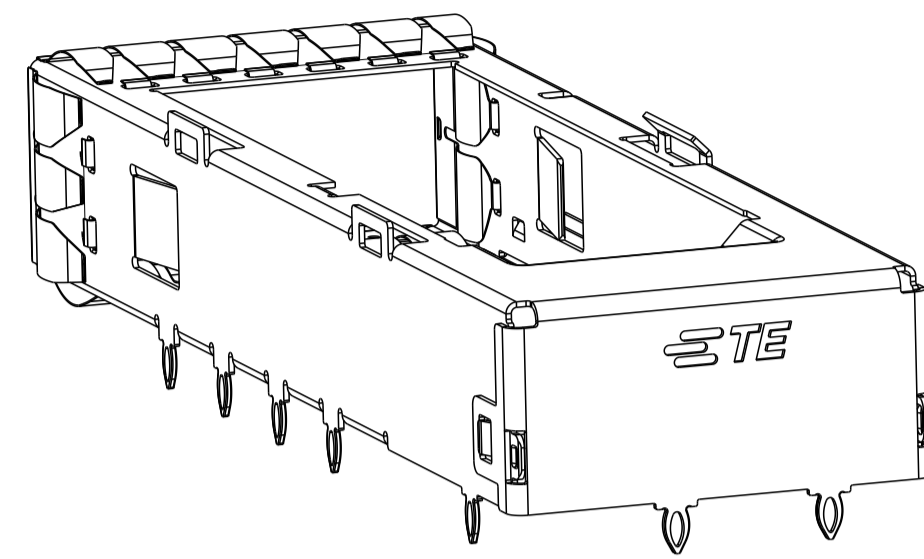
DETAIL A
SCALE 8:1

REMARK	# REAR PINS	PART NUMBER
CLOSED TOP	0	2-2385800-5
CLOSED TOP	2	2385800-1
HS OPENING	0	1-2385800-7
HS OPENING	2	1-2385800-2

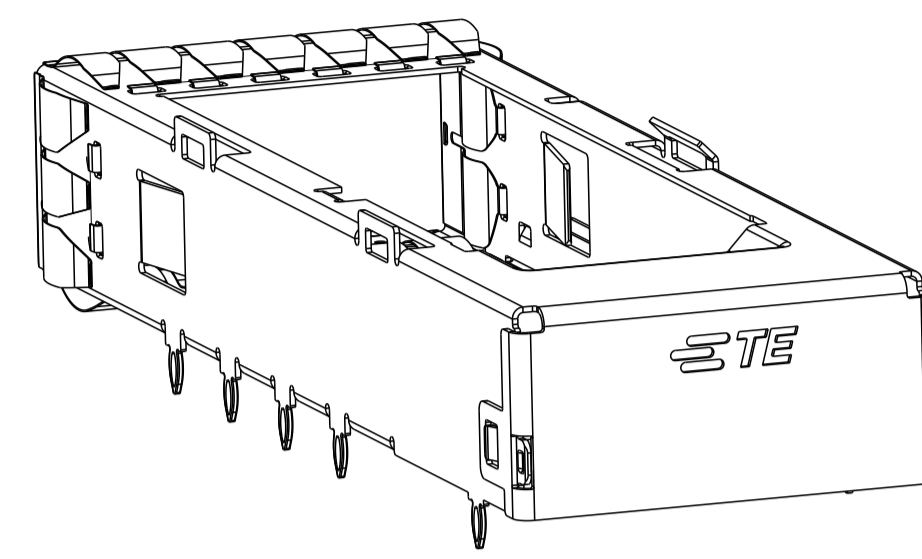
THIS DRAWING IS A CONTROLLED DOCUMENT.		DMN VINDY LIU 26JAN2021	TE Connectivity	
		CHK SUNY ZHAO 26JAN2021		
DIMENSIONS:	TOLERANCES UNLESS OTHERWISE SPECIFIED:	APVD	NAME	
mm	0 PLC ±0.25		CAGE ASSEMBLY, QSFP112 STANDARD	
	1 PLC ±0.25		1X1, WITH EMI SPRING FINGER	
	2 PLC ±0.20	PRODUCT SPEC	108-60122	
	3 PLC ±0.10	APPLICATION SPEC	114-60025	
	4 PLC ±	SIZE	A1	
	ANGLES	CAGE CODE	-	
	FINISH	DRAWING NO	C=2385800_C	
MATERIAL		RESTRICTED TO		
		CUSTOMER DRAWING		
		SCALE	2:1	
		SHEET	1 OF 6	
		REV	A	

THIS DRAWING IS UNPUBLISHED. RELEASED FOR PUBLICATION. ALL RIGHTS RESERVED.

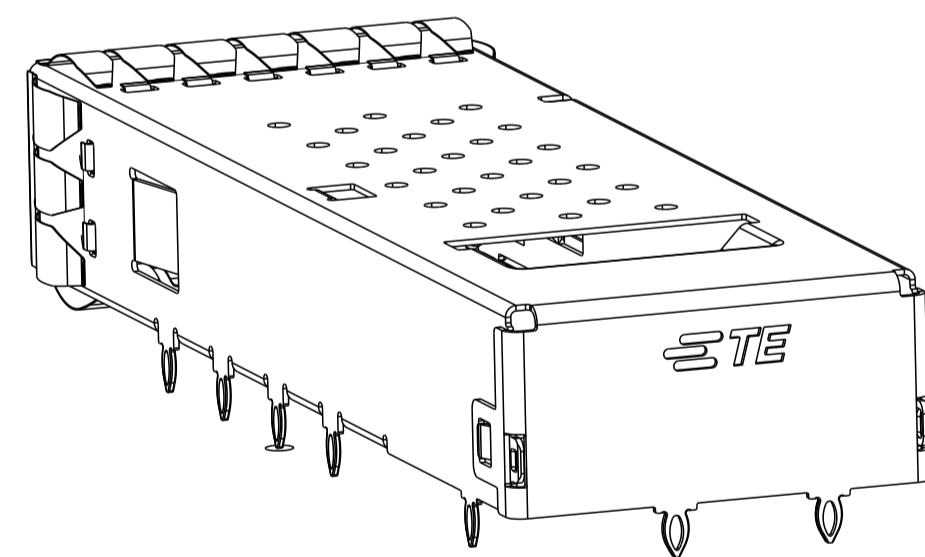
LOC		DIST		REVISIONS			
P	LTN	DESCRIPTION	DATE	OWN	APVD		
-	-	SEE SHEET 1	-	-	-		



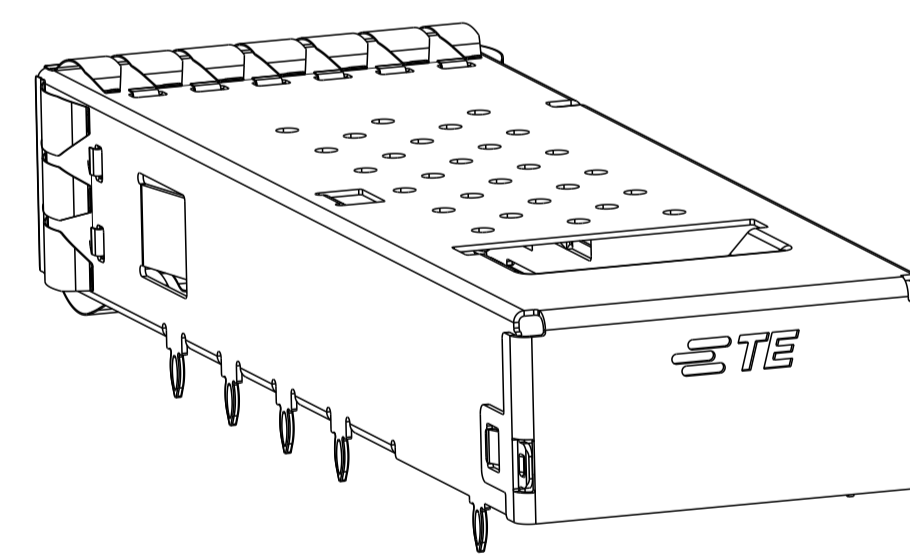
1-2385800-2 AS SHOWN
WITH HS OPENING
AND 2 REAR PINS
SCALE 3:1



1-2385800-7 AS SHOWN
WITH HS OPENING
AND 0 REAR PINS
SCALE 3:1



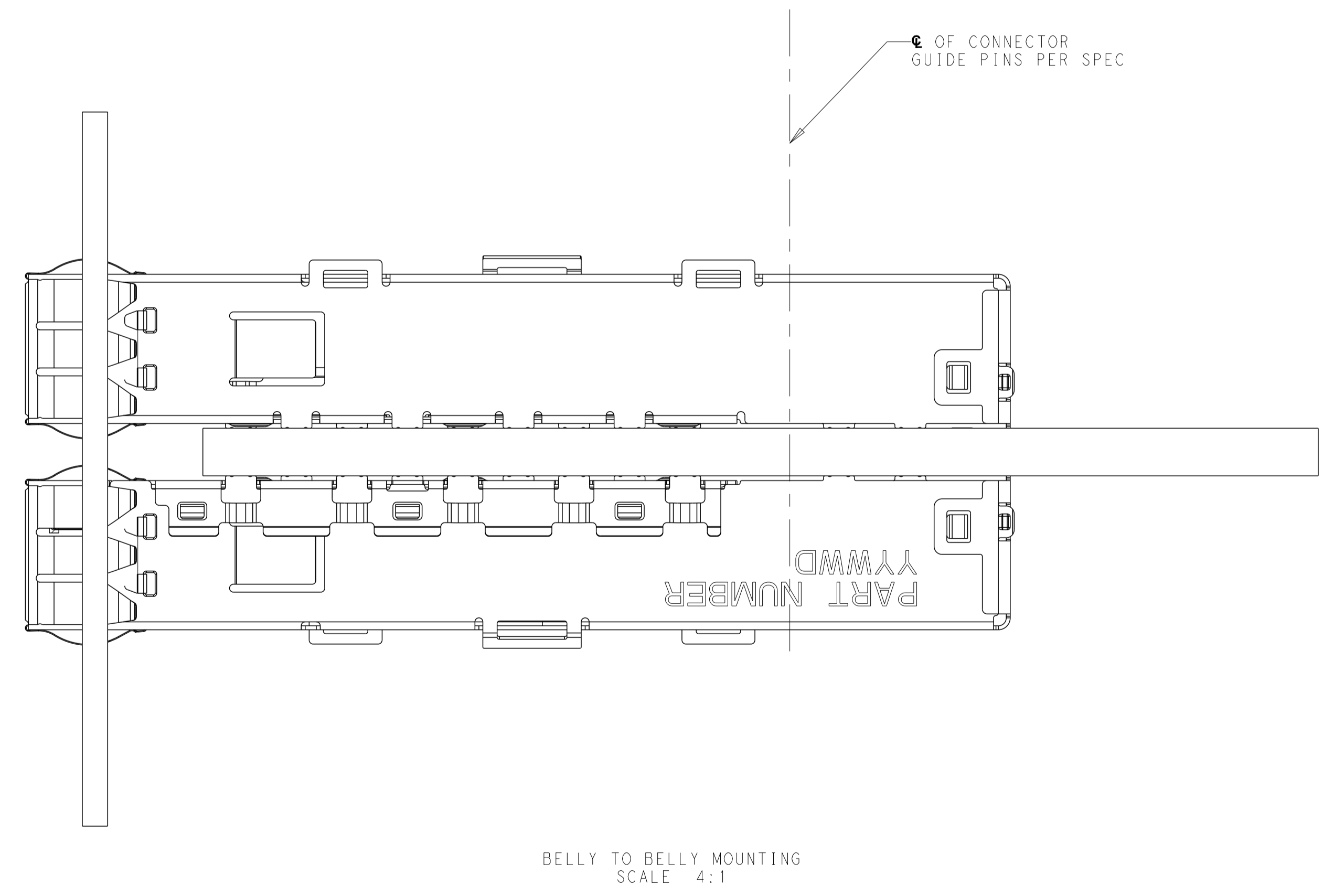
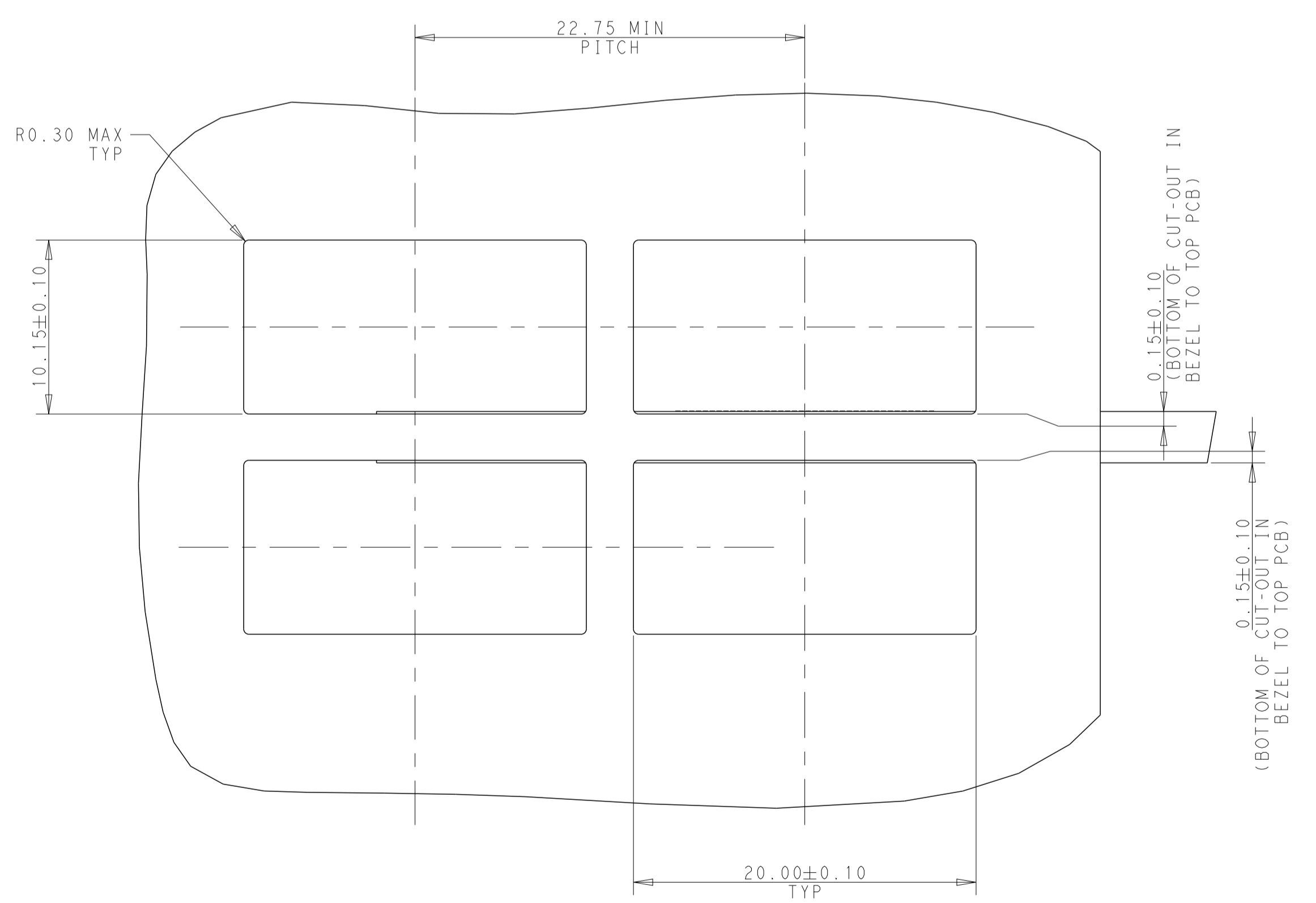
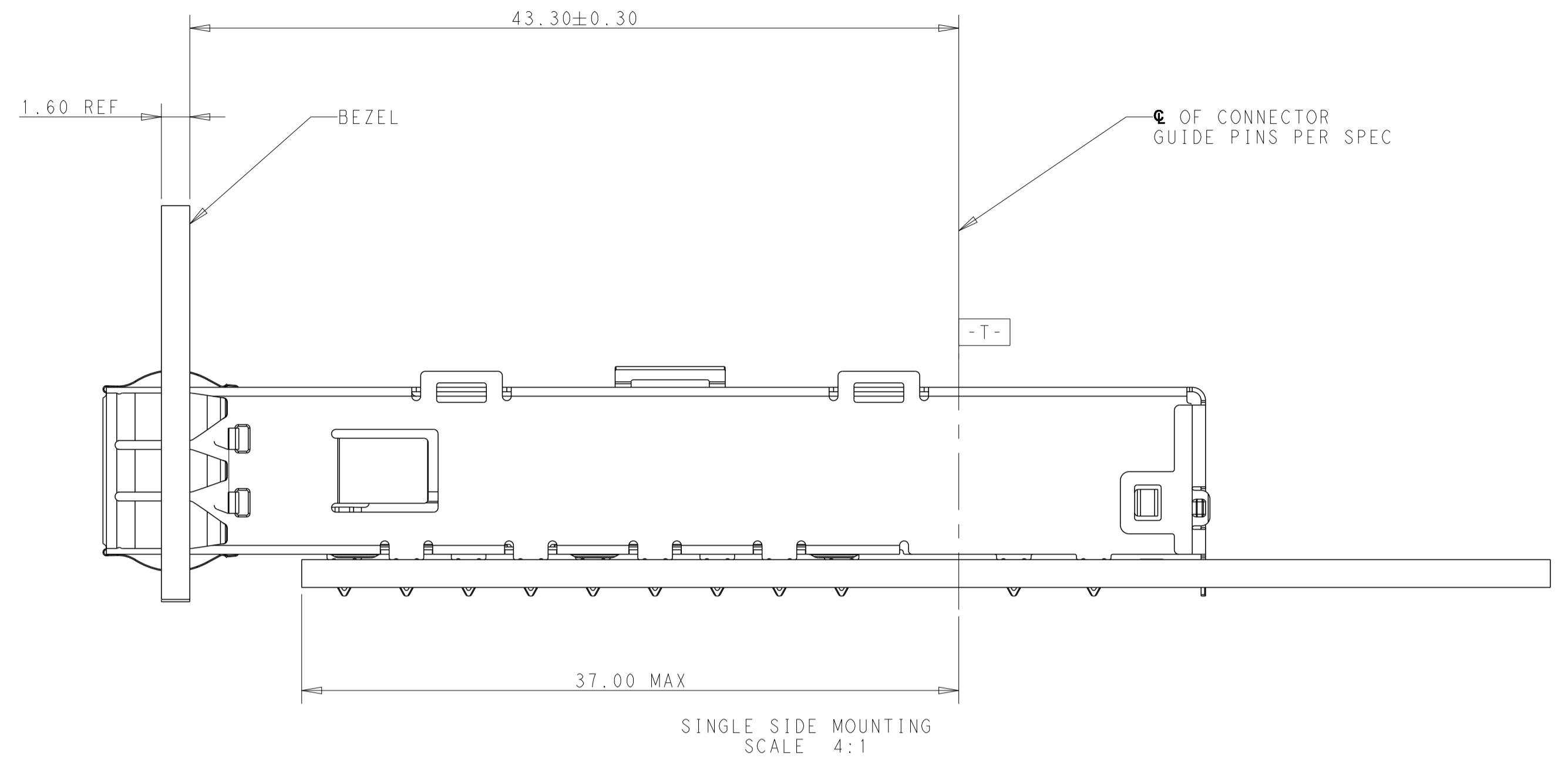
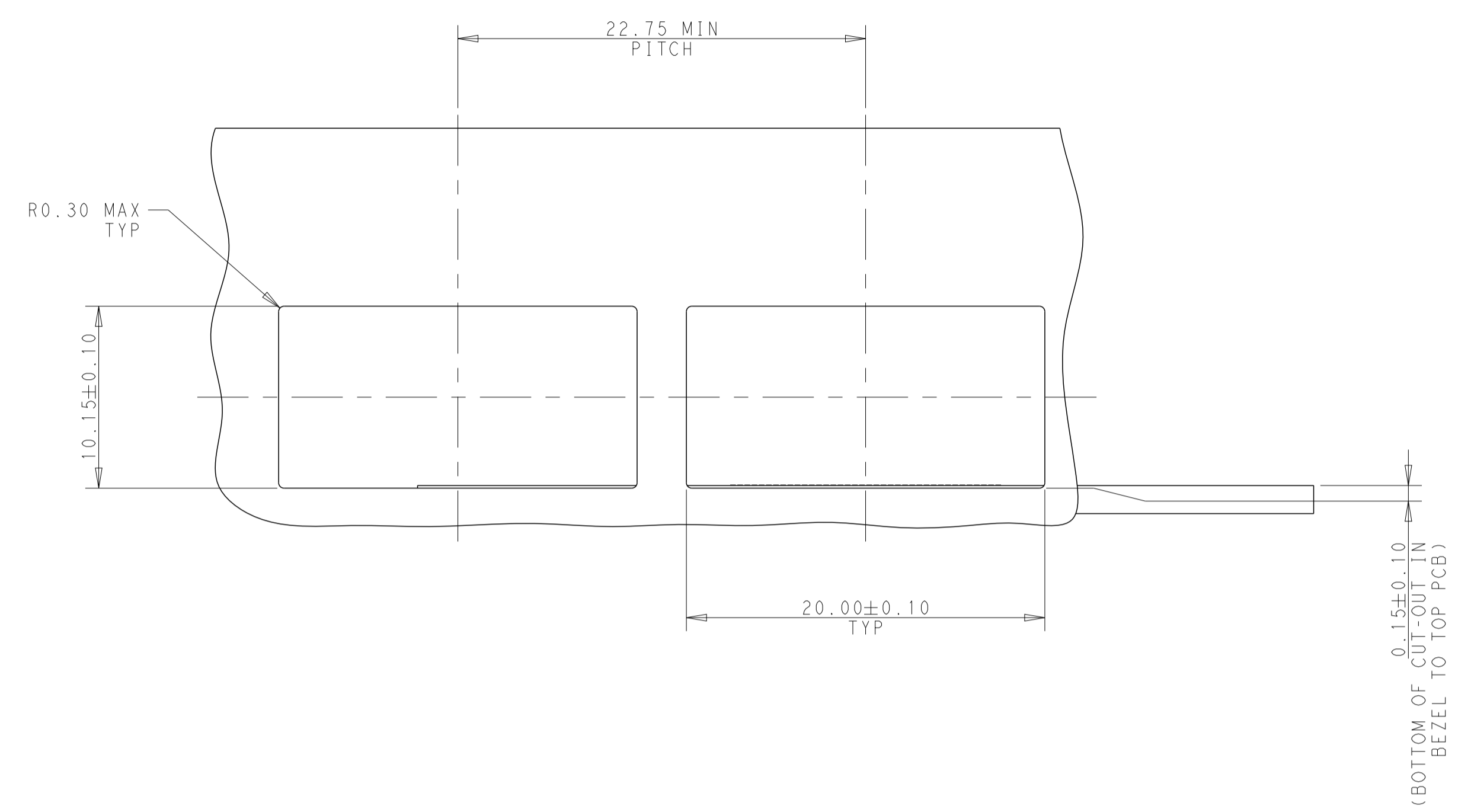
2385800-1 AS SHOWN
WITH CLOSED TOP
AND 2 REAR PINS
SCALE 3:1



2-2385800-5 AS SHOWN
WITH CLOSED TOP
AND 0 REAR PINS
SCALE 3:1

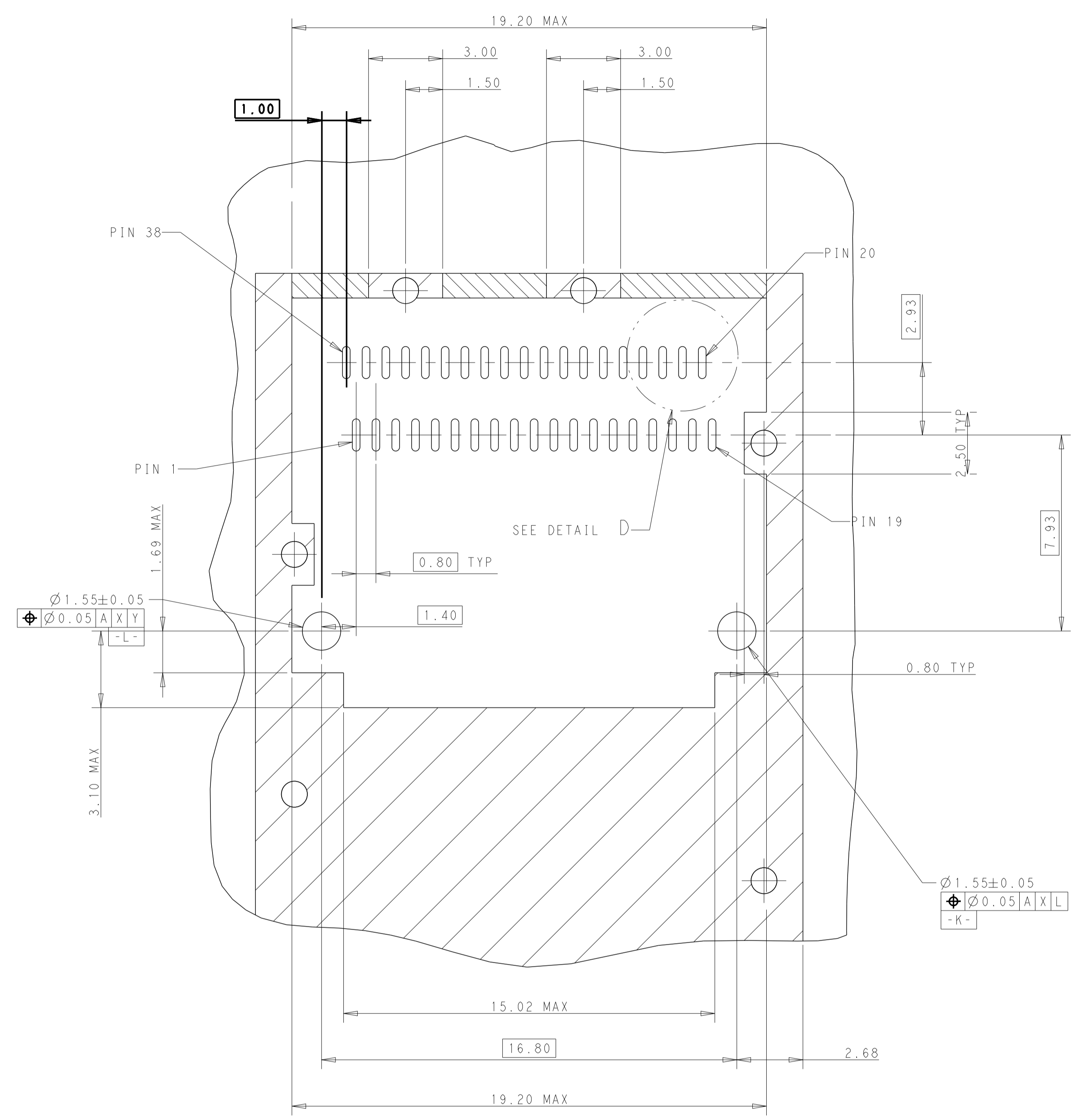
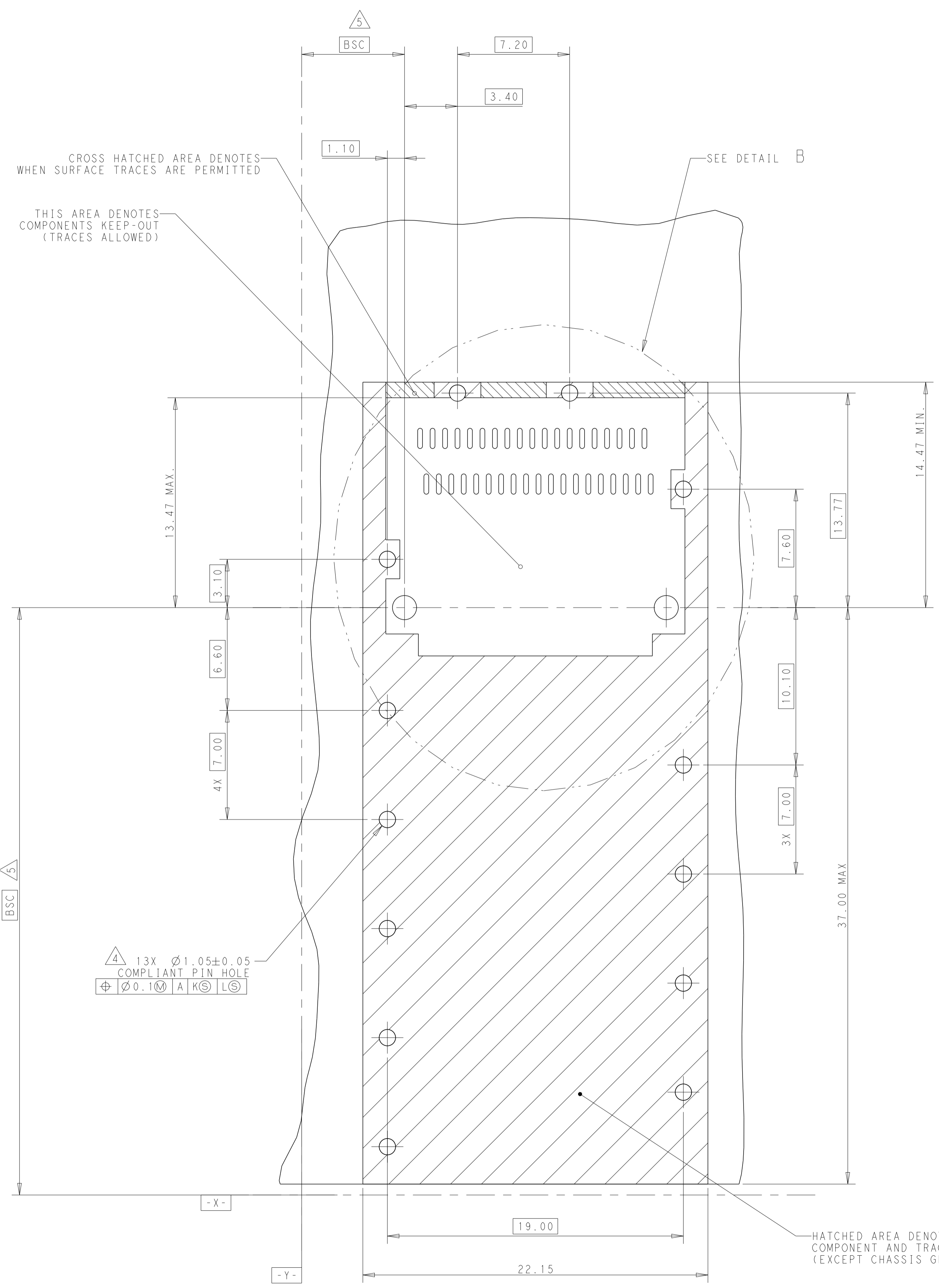
THIS DRAWING IS A CONTROLLED DOCUMENT.		OWN VINDY LIU 26 JAN 2021	TE Connectivity	
DIMENSIONS:		CHK SUNY ZHAO 26 JAN 2021	NAME CAGE ASSEMBLY, QSPF112 STANDARD 1X1, WITH EMI SPRING FINGER	
mm	TOLERANCES UNLESS OTHERWISE SPECIFIED:	APVD	PRODUCT SPEC 108-60122	RESTRICTED TO
	0 PLC ±0.25		APPLICATION SPEC	
	2 PLC ±0.25		114-60025	
	3 PLC ±0.20		WEIGHT	
	4 PLC ±0.10			
	ANGLES ±°			
	FINISH			
MATERIAL			SCALE 2:1	SHEET 2 OF 6
			CUSTOMER DRAWING	REV A

LOC		DIST		REVISIONS			
P	LTN	DESCRIPTION	DATE	DMN	APVD		
-	-	SEE SHEET 1	-	-	-		

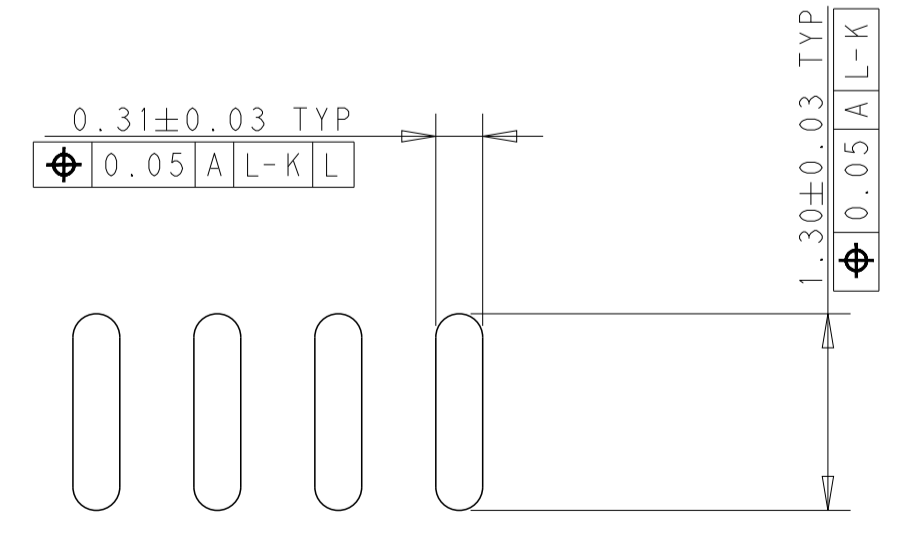


THIS DRAWING IS A CONTROLLED DOCUMENT.		DMN VINDY LIU 26JAN2021	TE Connectivity
DIMENSIONS: mm		CHK SUNY ZHAO 26JAN2021	
TOLERANCES UNLESS OTHERWISE SPECIFIED:		APVD	NAME
0 PLC ±0.25	PRODUCT SPEC	CAGE ASSEMBLY, QSPF112 STANDARD 1X1, WITH EMI SPRING FINGER	
1 PLC ±0.25	108-60122	SIZE A1	CAGE CODE DRAWING NO
2 PLC ±0.20	APPLICATION SPEC	-	RESTRICTED TO
3 PLC ±0.10	114-60025	C=2385800_C	
4 PLC ±	WEIGHT	SCALE 2:1	SHEET 3 OF 6
ANGLES FINISH	CUSTOMER DRAWING	REV A	

LOC	DIST	REV	DATE	BY	APPV
-	-	1	26 JAN 2021	WINDY LIU	
-	-	2	26 JAN 2021	SUNY ZHAO	



DETAIL B
SCALE 8:1



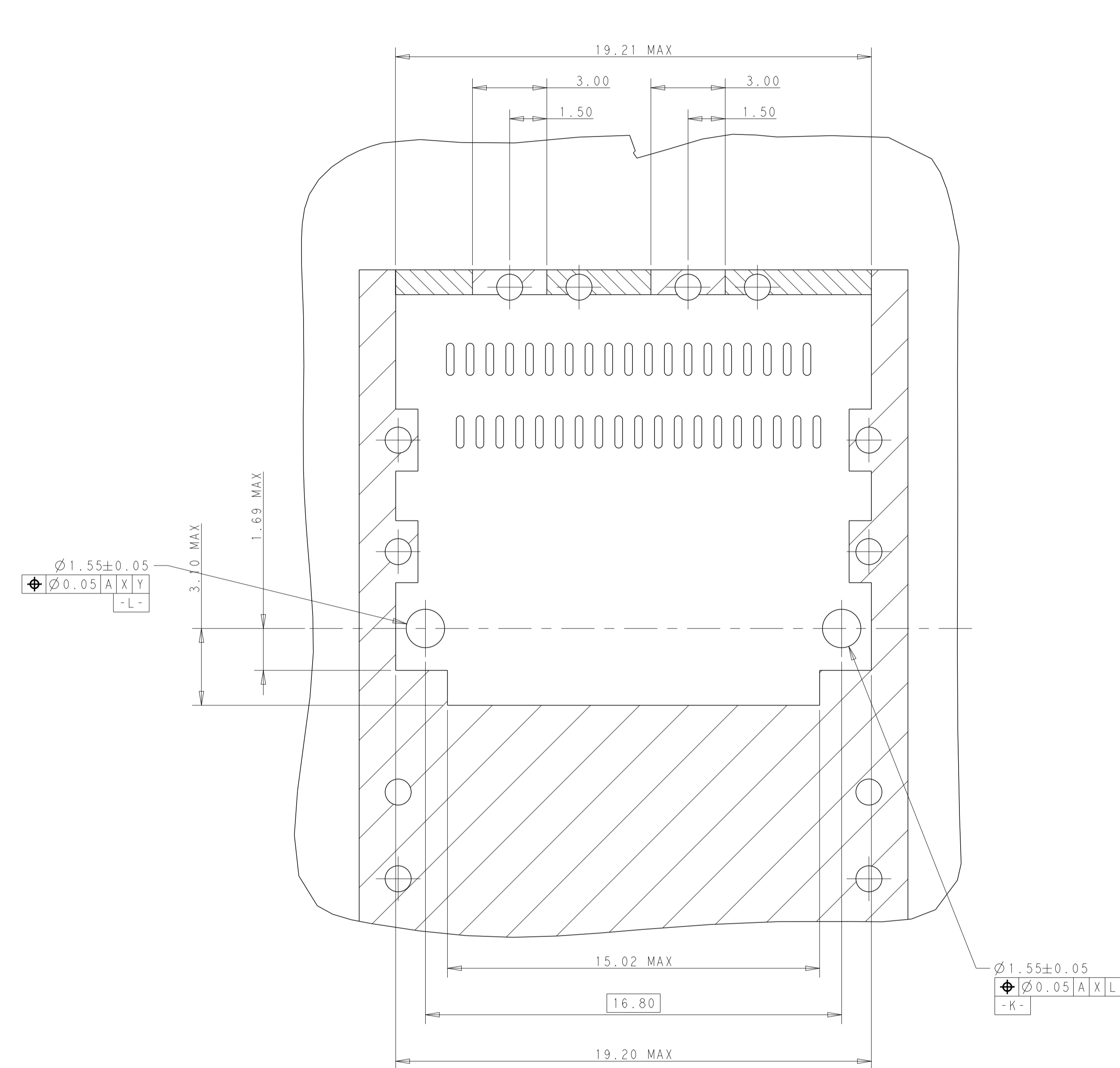
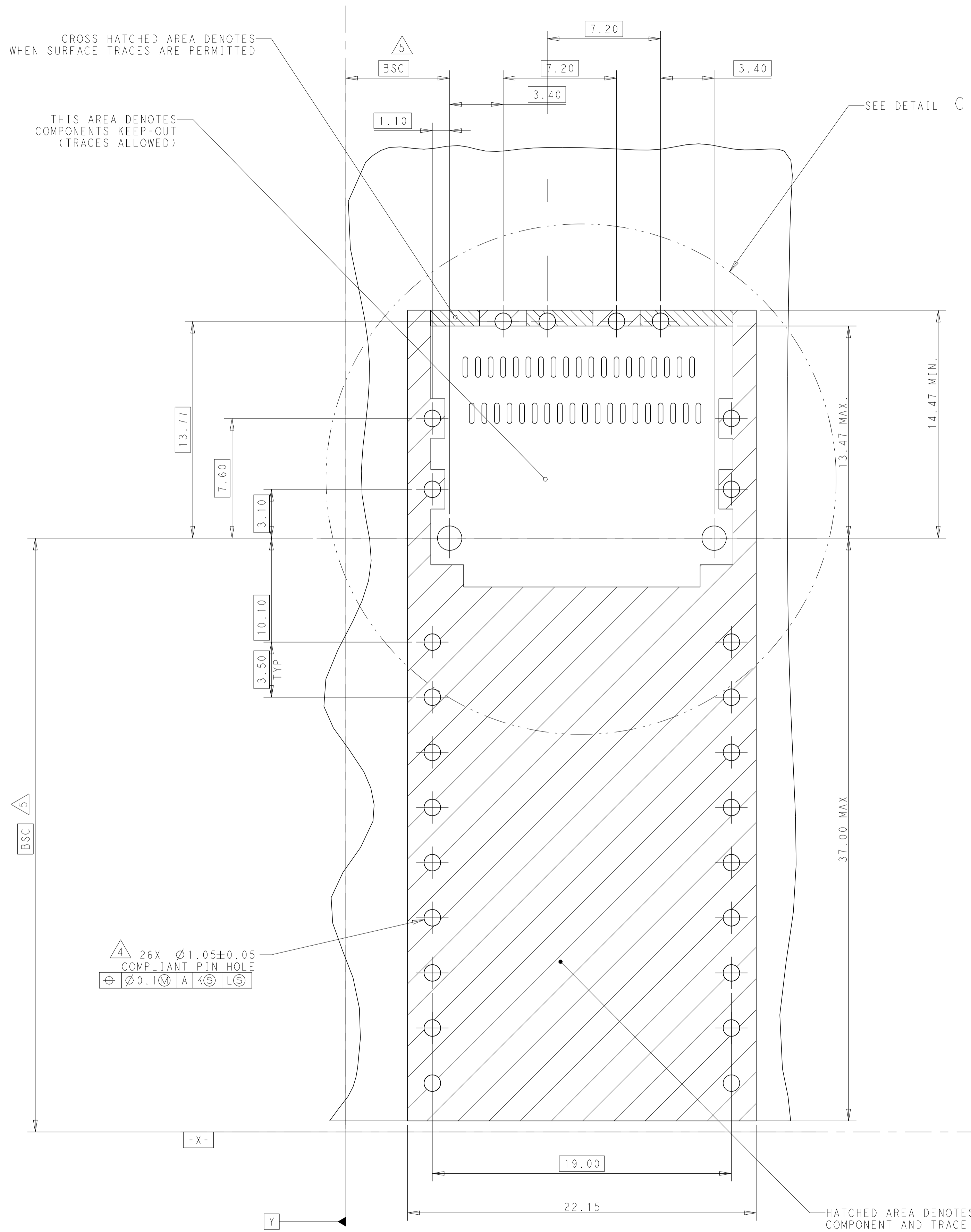
13X $\varnothing 1.05 \pm 0.05$
COMPLIANT PIN HOLE
 $\varnothing 0.1$ A K S L

RECOMMENDED PCB LAYOUT
 SINGLE TYPE OF 2 REAR HOLES OF LEGS
 PCB TOLERANCE: ± 0.05
 SCALE 6:1

HATCHED AREA DENOTES
 COMPONENT AND TRACE KEEP-OUT
 (EXCEPT CHASSIS GROUND)

THIS DRAWING IS A CONTROLLED DOCUMENT.		OWN: WINDY LIU 26 JAN 2021	DET: SUNY ZHAO 26 JAN 2021	SCALE: 2:1	REV: A
DIMENSIONS:	TOLERANCES UNLESS OTHERWISE SPECIFIED:	PRODUCT SPEC	APPLICATION SPEC	SIZE	RESTRICTED TO
mm	0 PLC ± 0.25 1 PLC ± 0.25 2 PLC ± 0.20 3 PLC ± 0.10 4 PLC ± 0.10 ANGLES ± 0.10 FINISH	108-60122	114-60025	A1	-
MATERIAL:	FINISH:	WEIGHT:	CAGE CODE	DRAWING NO	CUSTOMER DRAWING
-	-	-	2385800_C	114-60025	SCALE 2:1 SHEET 4 OF 6

LOC		DIST		REVISIONS			
P	LTN	DESCRIPTION	DATE	DMN	APVD		
-	-	SEE SHEET 1	-	-	-		



DETAIL C
SCALE 8:1

26X $\varnothing 1.05 \pm 0.05$
COMPLIANT PIN HOLE
 $\varnothing 0.10$ A | K | L | S

RECOMMENDED PCB LAYOUT
BELLY TO BELLY TYPE OF 2 REAR HOLES OF LEGS
PCB TOLERANCE: ± 0.05
SCALE 6:1

THIS DRAWING IS A CONTROLLED DOCUMENT.		DMN: VINDY LIU 26JAN2021	TE Connectivity
DIMENSIONS: mm		CHK: SUNY ZHAO 26JAN2021	
TOLERANCES UNLESS OTHERWISE SPECIFIED:		APVD:	NAME: CAGE ASSEMBLY, QSPF112 STANDARD 1X1, WITH EMI SPRING FINGER
0 PLC ± 0.25	1 PLC ± 0.25	PRODUCT SPEC: 108-60122	SIZE: A1
2 PLC ± 0.20	3 PLC ± 0.10	APPLICATION SPEC: 114-60025	CAGE CODE: -
4 PLC \pm	ANGLES \pm	FINISH: -	DRAWING NO: C=2385800_C
MATERIAL: -	FINISH: -	WEIGHT: -	RESTRICTED TO: -
CUSTOMER DRAWING		SCALE: 2:1	SHEET 5 OF 6 REV A