

THIS DRAWING IS UNPUBLISHED.

RELEASED FOR PUBLICATION

20

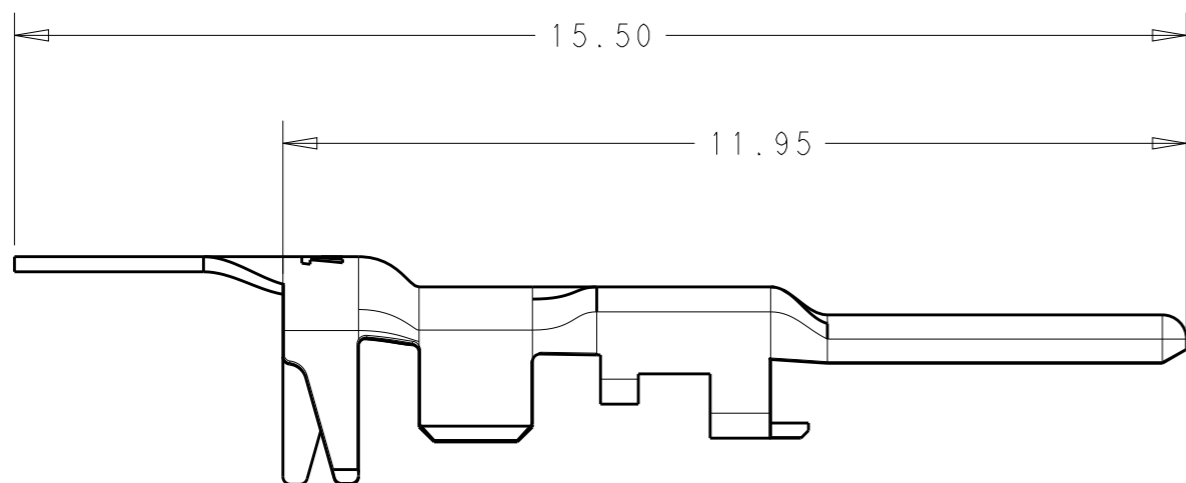
© COPYRIGHT 20

ALL RIGHTS RESERVED.

ES

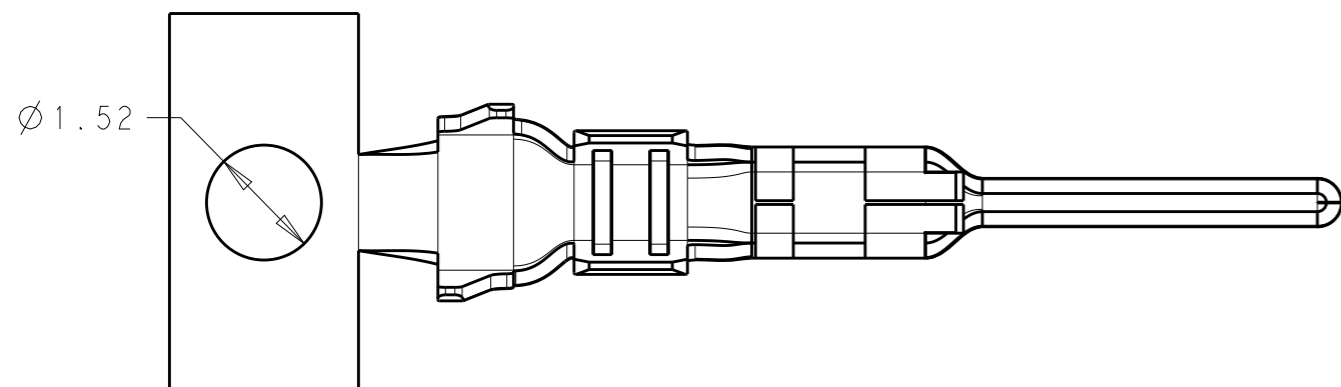
REVISIONS

P	LTR	DESCRIPTION	DATE	DWN	APVD
	A	INITIAL RELEASE	15JUL2016	W.Z	X.X




NOTES:

- ① MATERIAL: COPPER ALLOY
- ② FINISH: 2.0 MICRON MIN. TIN OVER NICKLE UNDERPLATED.
- ③ FINISH: GOLD FLASH PLATING ON CONTACT MATING AREA. TIN PLATING ON CRIMP AREA AND ALL NICKLE UNDERPLATED.
- 4. SEE TABLE FOR ALL THE PART NUMBERS.



1000 PCS/REEL	③	1.60-2.0	18-22 AWG	2-2834068-3
10,000 PCS/REEL	③	1.60-2.0	18-22 AWG	1-2834068-3
1000 PCS/REEL	②	1.60-2.0	18-22 AWG	2-2834068-2
10,000 PCS/REEL	②	1.60-2.0	18-22 AWG	1-2834068-2
PACKAGE Q'TY	FINISH	INSULATION DIAMETER RANGE	WIRE RANGE	PART NO

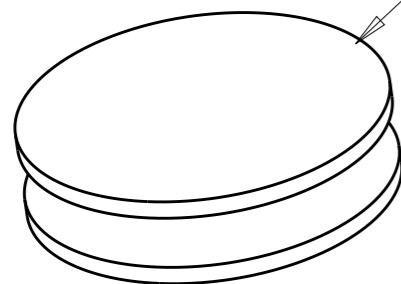
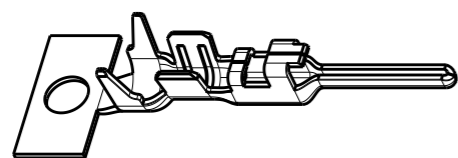
THIS DRAWING IS A CONTROLLED DOCUMENT.		DWN	15JULY2016	 TE Connectivity	
		CHK	15JULY2016		
		APVD	15JULY2016		
		PRODUCT SPEC	108-137093		
DIMENSIONS: mm		TOLERANCES UNLESS OTHERWISE SPECIFIED: ± 0.3		NAME	
		0-PLC \pm 1-PLC \pm 2-PLC \pm 3-PLC \pm 4-PLC \pm ANGLES $\pm 5^\circ$		PIN CONTACT MINIATURE WATERPROOF CONNECTOR	
MATERIAL		FINISH		SIZE	RESTRICTED TO
				A300779	-
				CAGE CODE	DRAWING NO
				C-2834068	
				SCALE 10:1	SHEET 1 OF 2
				CUSTOMER DRAWING	REV A

REVISIONS

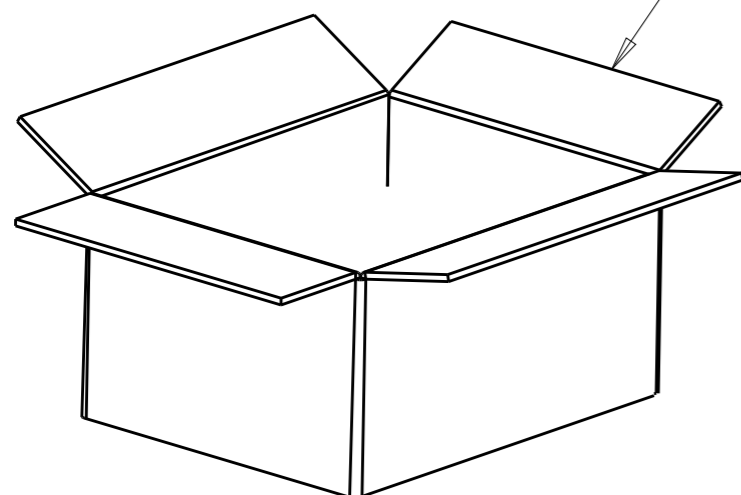
P	LTR	DESCRIPTION	DATE	DWN	APVD
		SEE SHEET 1			

PACKAGE PART NUMBER LIST:

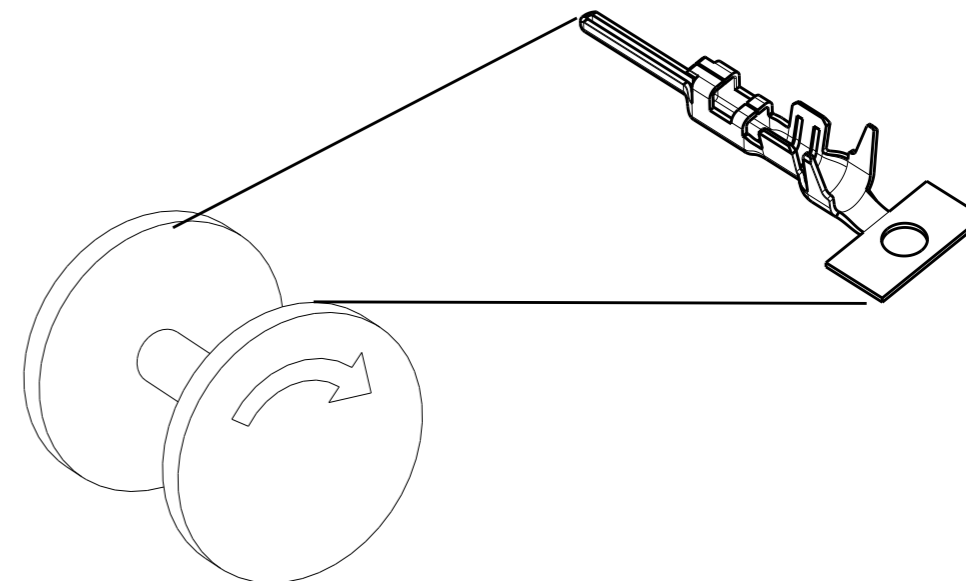
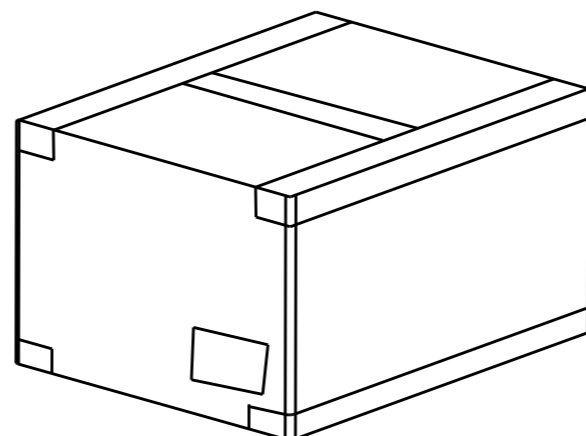
1-2834068-2, 2-2834068-2, 1-2834068-3, 2-2834068-3,



REEL





CARTON



CONTACT WITH PLATING

NOTE:
 1. PUT PARTS IN THE REEL AS STAMPING&PLATING PROCESS.
 2. PUT PACKED REEL INTO CARTON.
 3. SEAL THE CARTON
 4. PACKAGING QUANTITY: SEE TABLE.
 5. PACKAGING SPEC : 107-137093.

PART NUMBER	PARTS PER REEL	REELS PER CARTON	PARTS PER CARTON
1-2834068-2	10,000 PCS	4	40,000 PCS
2-2834068-2	1000 PCS	3	3,000 PCS
1-2834068-3	10,000 PCS	4	40,000 PCS
2-2834068-3	1000 PCS	3	3,000 PCS

THIS DRAWING IS A CONTROLLED DOCUMENT.		DWN 15JULY2016 ZHANG WEI	 TE Connectivity			
DIMENSIONS: mm		CHK 15JULY2016 SHI MING			NAME PIN CONTACT MINIATURE WATERPROOF CONNECTOR	
		APVD 15JULY2016 XU XIANG				
TOLERANCES UNLESS OTHERWISE SPECIFIED: ± 0.3		PRODUCT SPEC 108-137093	SIZE	CAGE CODE	DRAWING NO	RESTRICTED TO
0-PLC ±		APPLICATION SPEC 114-137093	A3	00779	©-2834068	-
1-PLC ±		WEIGHT	SCALE 10:1		SHEET 2 OF 2	REV A
2-PLC ±		CUSTOMER DRAWING				
3-PLC ±						
4-PLC ±						
ANGLES ± 5°						
MATERIAL						
FINISH						
1						