

THIS DRAWING IS UNPUBLISHED.

RELEASED FOR PUBLICATION

20

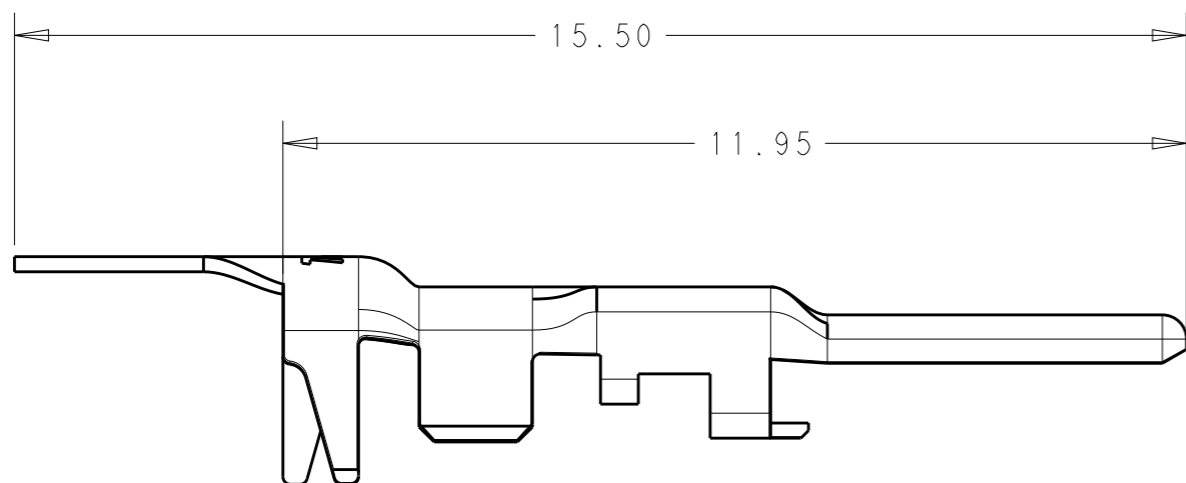
© COPYRIGHT 20

ALL RIGHTS RESERVED.

ES

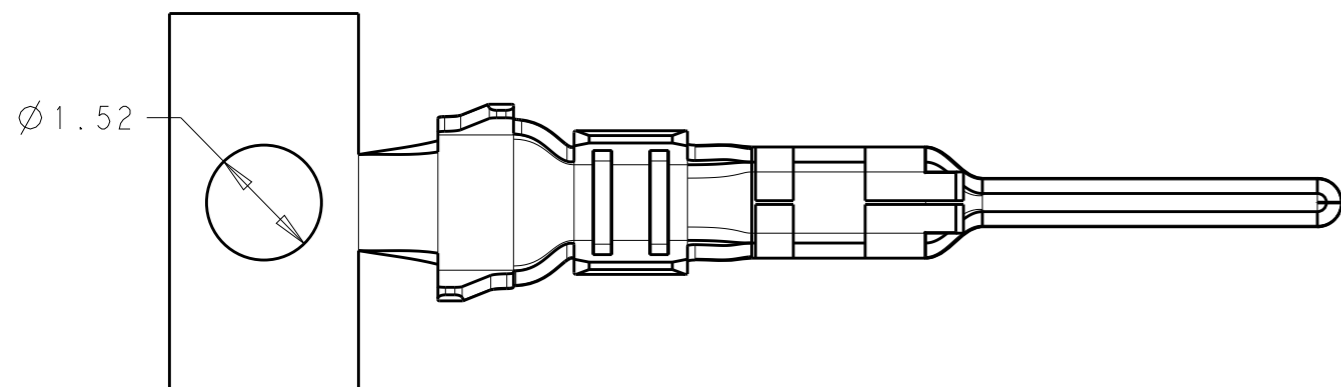
REVISIONS

P	LTR	DESCRIPTION	DATE	DWN	APVD
	A	INITIAL RELEASE	15JUL2016	W.Z	X.X



NOTES:

- ① MATERIAL: COPPER ALLOY
- ② FINISH: 2.0 MICRON MIN. TIN OVER NICKLE UNDERPLATED.
- ③ FINISH: GOLD FLASH PLATING ON CONTACT MATING AREA. TIN PLATING ON CRIMP AREA AND ALL NICKLE UNDERPLATED.
- 4. SEE TABLE FOR ALL THE PART NUMBERS.



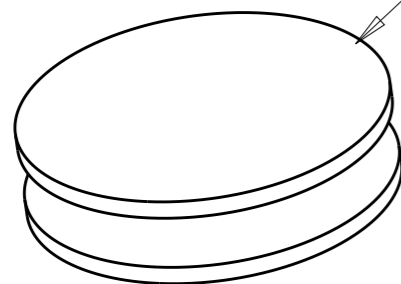
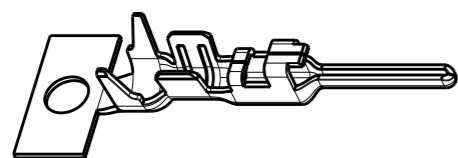
1000 PCS/REEL	③	1.60-2.0	18-22 AWG	2-2834068-3
10,000 PCS/REEL	③	1.60-2.0	18-22 AWG	1-2834068-3
1000 PCS/REEL	②	1.60-2.0	18-22 AWG	2-2834068-2
10,000 PCS/REEL	②	1.60-2.0	18-22 AWG	1-2834068-2
PACKAGE Q'TY	FINISH	INSULATION DIAMETER RANGE	WIRE RANGE	PART NO

THIS DRAWING IS A CONTROLLED DOCUMENT.		DWN	15JULY2016 ZHANG WEI		STE TE Connectivity
DIMENSIONS: mm		CHK	15JULY2016 SHI MING		
		APVD	15JULY2016 XU XIANG		
		PRODUCT SPEC	108-137093		
TOLERANCES UNLESS OTHERWISE SPECIFIED: ± 0.3		APPLICATION SPEC	114-137093		NAME
0-PLC \pm		WEIGHT	-		PIN CONTACT MINIATURE WATERPROOF CONNECTOR
1-PLC \pm		CUSTOMER DRAWING	SCALE 10:1		
2-PLC \pm		SIZE	A3	CAGE CODE	00779
3-PLC \pm		DRAWING NO	C-2834068		RESTRICTED TO
4-PLC \pm		SHEET	1 OF 2		-
ANGLES $\pm 5^\circ$		REV	A		
MATERIAL	FINISH				

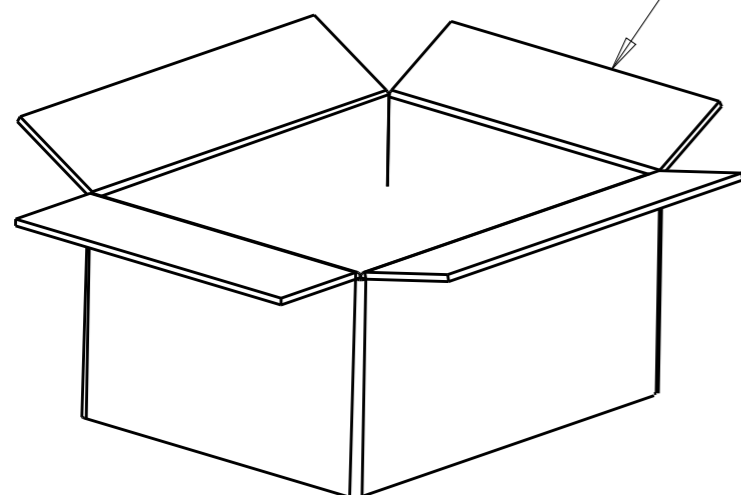
REVISIONS

P	LTR	DESCRIPTION	DATE	DWN	APVD
		SEE SHEET 1			

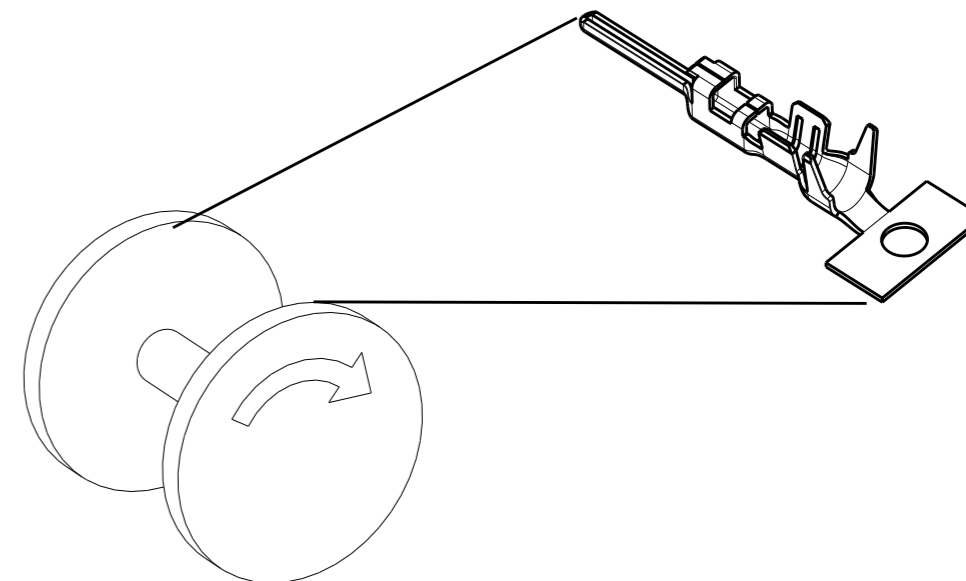
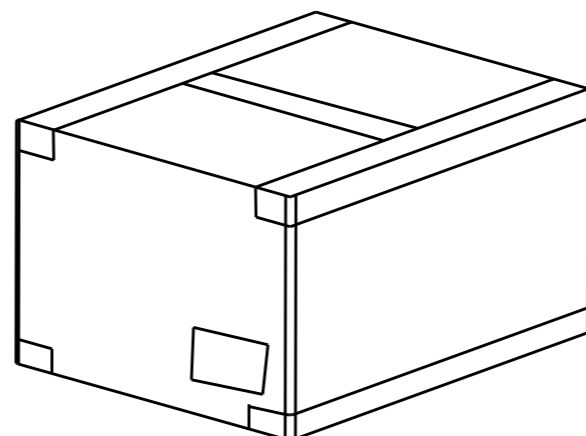
PACKAGE PART NUMBER LIST:
 1-2834068-2, 2-2834068-2, 1-2834068-3, 2-2834068-3,



REEL





CARTON



CONTACT WITH PLATING

NOTE:
 1. PUT PARTS IN THE REEL AS STAMPING&PLATING PROCESS.
 2. PUT PACKED REEL INTO CARTON.
 3. SEAL THE CARTON
 4. PACKAGING QUANTITY: SEE TABLE.
 5. PACKAGING SPEC : 107-137093.

PART NUMBER	PARTS PER REEL	REELS PER CARTON	PARTS PER CARTON
1-2834068-2	10,000 PCS	4	40,000 PCS
2-2834068-2	1000 PCS	3	3,000 PCS
1-2834068-3	10,000 PCS	4	40,000 PCS
2-2834068-3	1000 PCS	3	3,000 PCS

THIS DRAWING IS A CONTROLLED DOCUMENT.		DWN 15JULY2016 ZHANG WEI	 TE Connectivity		
DIMENSIONS: mm		CHK 15JULY2016 SHI MING			NAME PIN CONTACT MINIATURE WATERPROOF CONNECTOR
		APVD 15JULY2016 XU XIANG			
TOLERANCES UNLESS OTHERWISE SPECIFIED: ± 0.3		PRODUCT SPEC 108-137093	SIZE A300779	CAGE CODE C-2834068	
0-PLC ± 1-PLC ± 2-PLC ± 3-PLC ± 4-PLC ± ANGLES ± 5°		APPLICATION SPEC 114-137093	DRAWING NO	RESTRICTED TO	
MATERIAL 1		FINISH -	WEIGHT -	SCALE 10:1	
		CUSTOMER DRAWING	SHEET 2 OF 2	REV A	