

4

3

2

1

THIS DRAWING IS UNPUBLISHED.

RELEASED FOR PUBLICATION

20

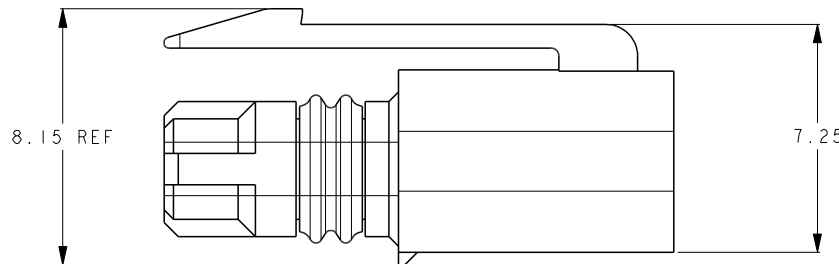
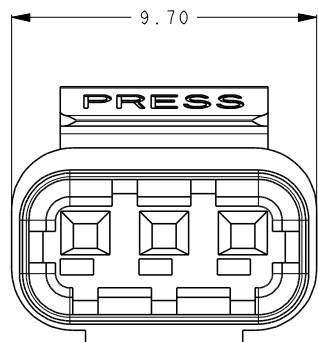
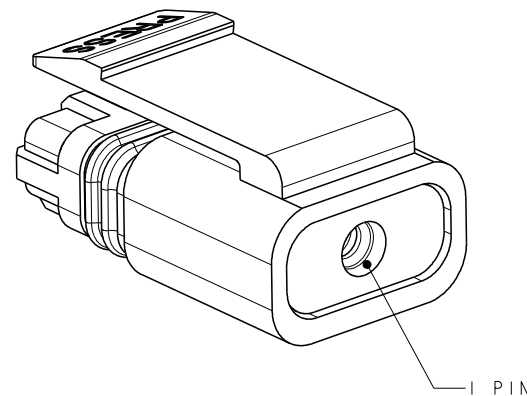
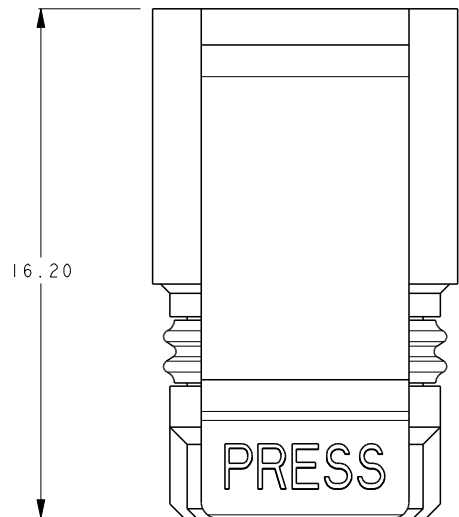
© COPYRIGHT 20

ALL RIGHTS RESERVED.

ES

REVISIONS

P	LTR	DESCRIPTION	DATE	DWN	APVD
A		INITIAL RELEASE	15JUL2016	Z.W	X.X
B		ADD NEW I POS PART NUMBERS	20JUN2017	Z.W	S.M
C		UPDATE PACKAGE SPEC	2JAN2018	Z.W	S.M



- NOTES:
- 1. MATERIAL: THERMOPLASTIC, UL94-V0.
 - 2. HOUSING: RUBBER.
 - 3. SEAL: RUBBER.
 - 4. PART NUMBER: SEE TABLE
 - 5. PACKAGING: TRAY.
 - 6. PACKAGING SPEC: 107-137093.

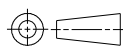
GRAY	I	4-2834074-1
RED	I	3-2834074-1
BLACK	I	2-2834074-1
WHITE	I	1-2834074-1
COLOR	NO OF POSN	PART NUMBER

(B)

THIS DRAWING IS A CONTROLLED DOCUMENT.

DIMENSIONS:
mm

TOLERANCES UNLESS OTHERWISE SPECIFIED:
± 0.5



- 0-PLC ±
- 1-PLC ±
- 2-PLC ±
- 3-PLC ±
- 4-PLC ±
- ANGLES ±5°

MATERIAL

FINISH



DWN	15JULY2016
CHK	ZHANG WEI
APVD	SHI MING
PRODUCT SPEC	XU XIANG
APPLICATION SPEC	108-137093
WEIGHT	114-137093
CUSTOMER DRAWING	



TE Connectivity

PLUG
MINIATURE WATERPROOF CONNECTOR

NAME				RESTRICTED TO
SIZE	CAGE CODE	DRAWING NO		
A3	00779	C=2834074		
SCALE	SHEET	OF	REV	
5:1	1	4	C	

4

3

2

1

THIS DRAWING IS UNPUBLISHED.

RELEASED FOR PUBLICATION

20

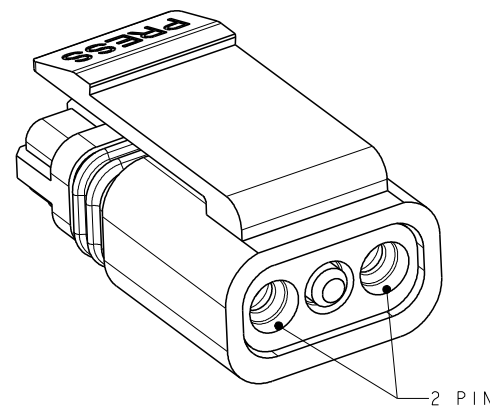
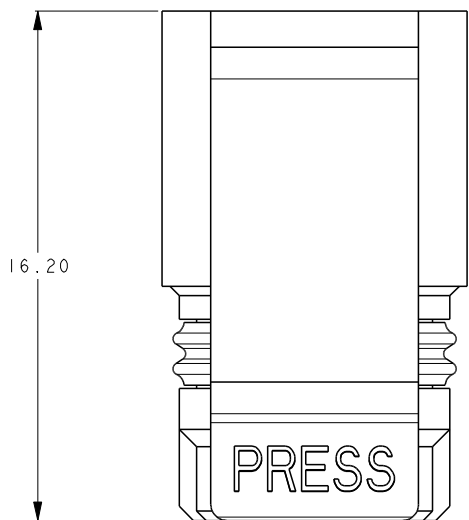
© COPYRIGHT 20

ALL RIGHTS RESERVED.

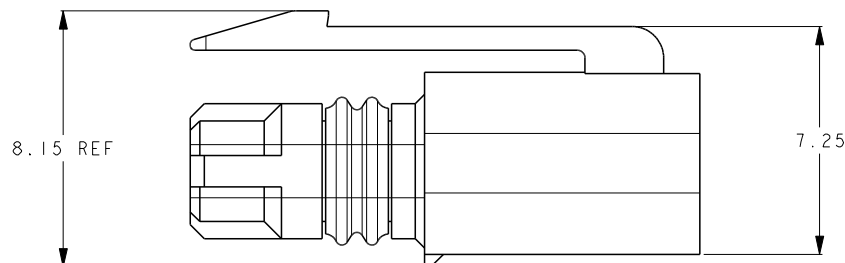
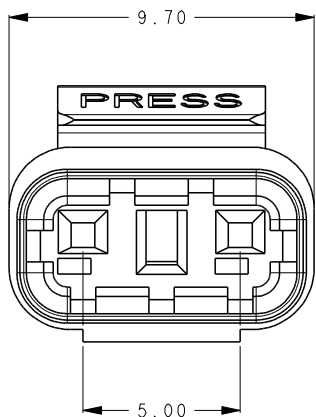
ES

REVISIONS

P	LTR	DESCRIPTION	DATE	DWN	APVD
		SEE SHEET 1			




2 PIN



- NOTES:
 ▲ MATERIAL:
 HOUSING: THERMOPLASTIC, UL94-V0.
 SEAL: RUBBER.
 2. PART NUMBER: SEE TABLE
 3. PACKAGING: TRAY.
 4. PACKAGING SPEC: 107-137093.

GRAY	2	4-2834074-2
RED	2	3-2834074-2
BLACK	2	2-2834074-2
WHITE	2	1-2834074-2
COLOR	NO OF POSN	PART NUMBER

THIS DRAWING IS A CONTROLLED DOCUMENT.		DWN	15JULY2016	 TE Connectivity	
DIMENSIONS:		CHK	15JULY2016		
mm		APVD	15JULY2016		
TOLERANCES UNLESS OTHERWISE SPECIFIED:		NAME			
± 0.5		PRODUCT SPEC		PLUG	
0-PLC ±		APPLICATION SPEC		MINIATURE WATERPROOF CONNECTOR	
1-PLC ±		108-137093		SIZE	CAGE CODE
2-PLC ±		114-137093		A300779	DRAWING NO
3-PLC ±				©=2834074	RESTRICTED TO
4-PLC ±					
ANGLES ±5°		WEIGHT	-	SCALE	SHEET
MATERIAL	FINISH	CUSTOMER DRAWING		5:1	2 OF 4
▲				REV	C

4

3

2

1

THIS DRAWING IS UNPUBLISHED.

RELEASED FOR PUBLICATION

20

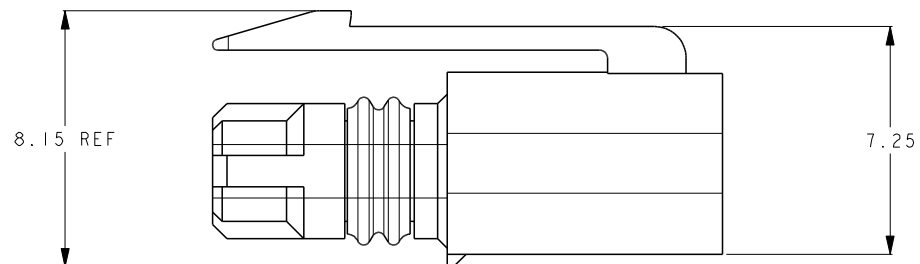
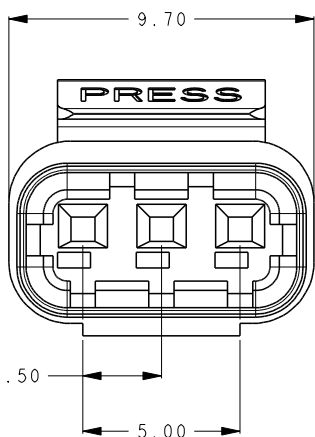
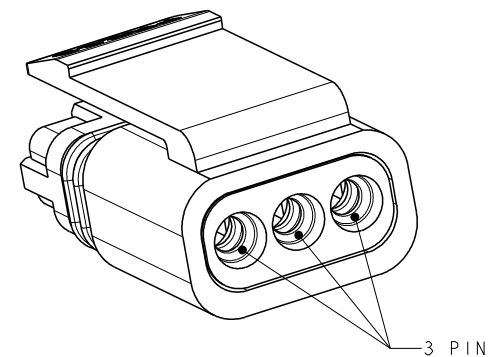
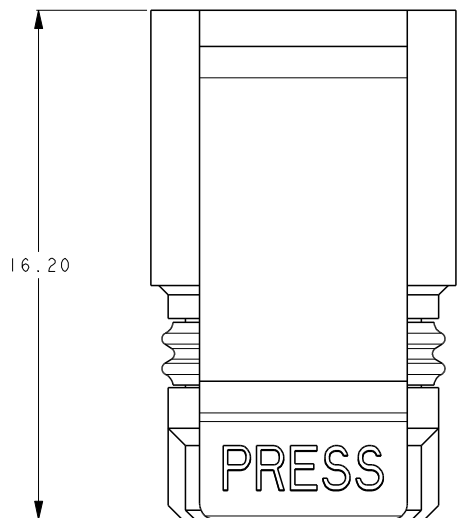
© COPYRIGHT 20

ALL RIGHTS RESERVED.

ES


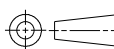
REVISIONS

P	LTR	DESCRIPTION	DATE	DWN	APVD
		SEE SHEET 1			



- NOTES:
 1. MATERIAL: THERMOPLASTIC, UL94-V0.
 2. SEAL: RUBBER.
 3. PART NUMBER: SEE TABLE
 4. PACKAGING: TRAY.
 5. PACKAGING SPEC: 107-137093.

GRAY	3	4-2834074-3
RED	3	3-2834074-3
BLACK	3	2-2834074-3
WHITE	3	1-2834074-3
COLOR	NO OF POSN	PART NUMBER

THIS DRAWING IS A CONTROLLED DOCUMENT.		DWN	15 JULY 2016	 TE Connectivity	
DIMENSIONS: mm		CHK	15 JULY 2016		
TOLERANCES UNLESS OTHERWISE SPECIFIED: ± 0.5		APVD	15 JULY 2016		
0-PLC ± 1-PLC ± 2-PLC ± 3-PLC ± 4-PLC ± ANGLES ±5°		NAME			
MATERIAL		PRODUCT SPEC	108-137093	PLUG MINIATURE WATERPROOF CONNECTOR	
FINISH		APPLICATION SPEC	114-137093	SIZE	A3
		WEIGHT	-	CAGE CODE	00779
		CUSTOMER DRAWING		DRAWING NO	C=2834074
				RESTRICTED TO	-
				SCALE	5:1
				SHEET	3 OF 4
				REV	C