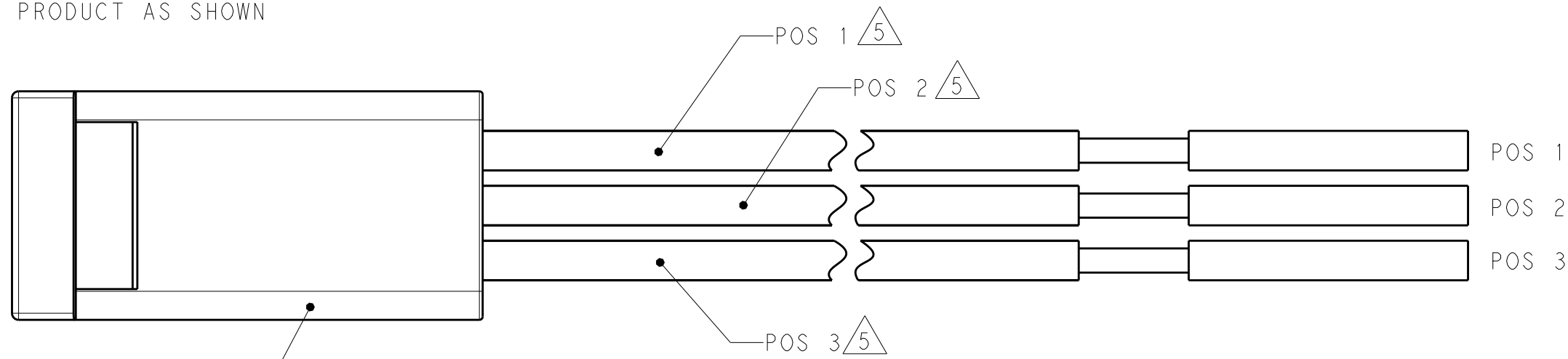


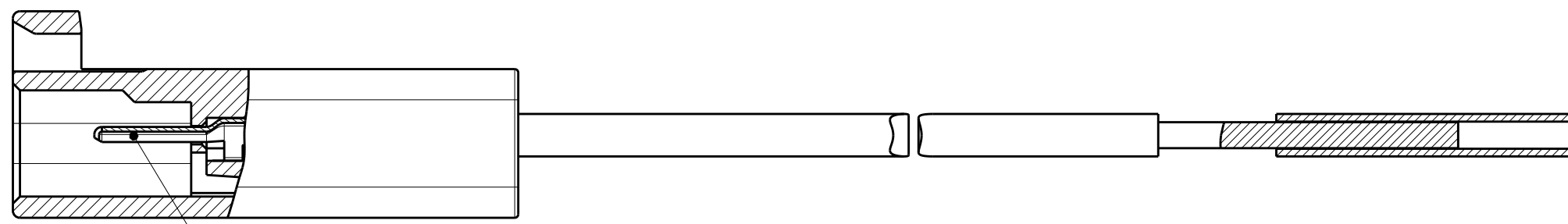
THIS DRAWING IS UNPUBLISHED. RELEASED FOR PUBLICATION 20
 © COPYRIGHT 20 BY - ALL RIGHTS RESERVED.

REVISIONS					
P	LTR	DESCRIPTION	DATE	DWN	APVD
A		PRELIMINARY RELEASE	18JAN2016	W.Z	X.X
B		ECR-17-017177	22NOV2017	W.Z	S.M

3 POS PRODUCT AS SHOWN



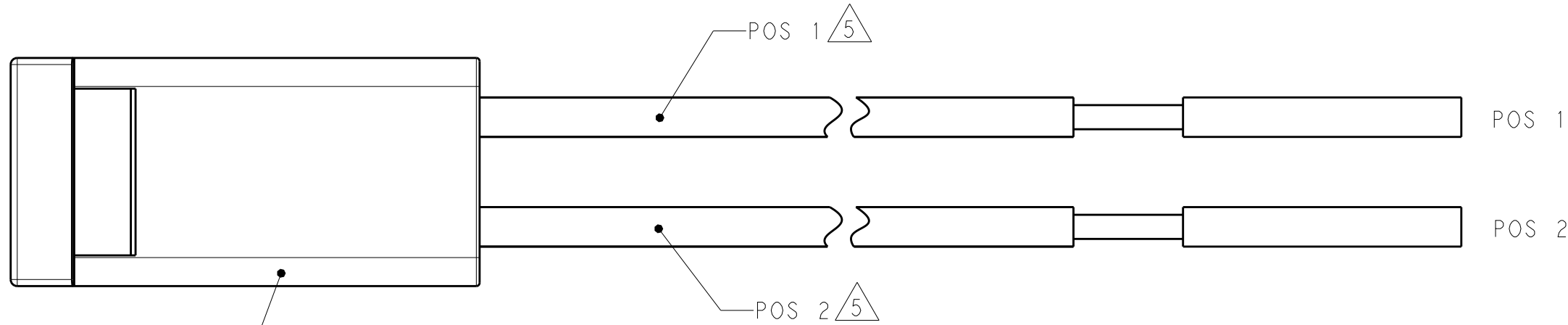
REC ASSEMBLY
(DRAWING NO: 2834075)



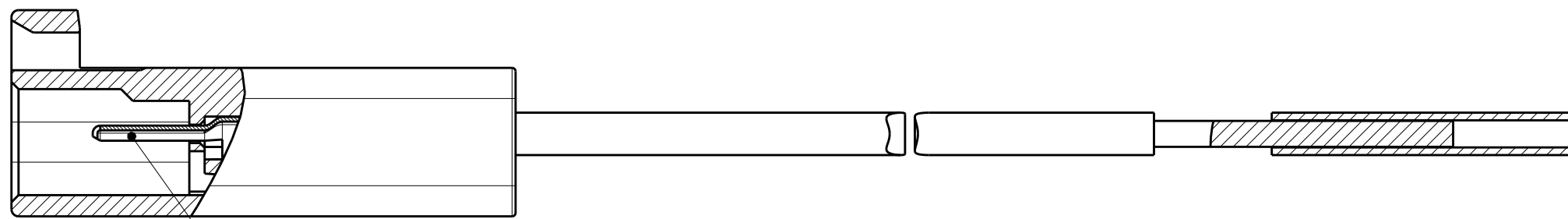
CONTACT
(DRAWING NO: 2834068)

- 1 MATERIAL:
CONTACT: COPPER ALLOY.
HOUSING: THERMOPLASTIC, UL94-V0.
- 2 FINISH:
GOLD FLASH PLATING ON CONTACT MATING AREA. TIN PLATING ON CRIMP AREA AND ALL NICKLE UNDERPLATED.
- 3 FINISH:
ALL TIN PLATING OVER NICKLE UNDERPLATING.
- 4 WIRE SPEC: 18AWG, 41 STRAND, UL 1061 STYLE.
20AWG, 26 STRAND, UL 1007 STYLE.
22AWG, 17 STRAND, UL 1007 STYLE.
- 5 WIRE COLOR DEFINITION (SEE NEXT PAGE WIRE COLOR CHART).
- 6 PART NUMBER LIST: SEE TABLE ON NEXT PAGE.
- 7 WIRE SPEC: 22AWG, UL WET RATED WIRE, CHAMPLAIN 3680.
- 8. PACKAGING SPECIFICATION: 107-137327.

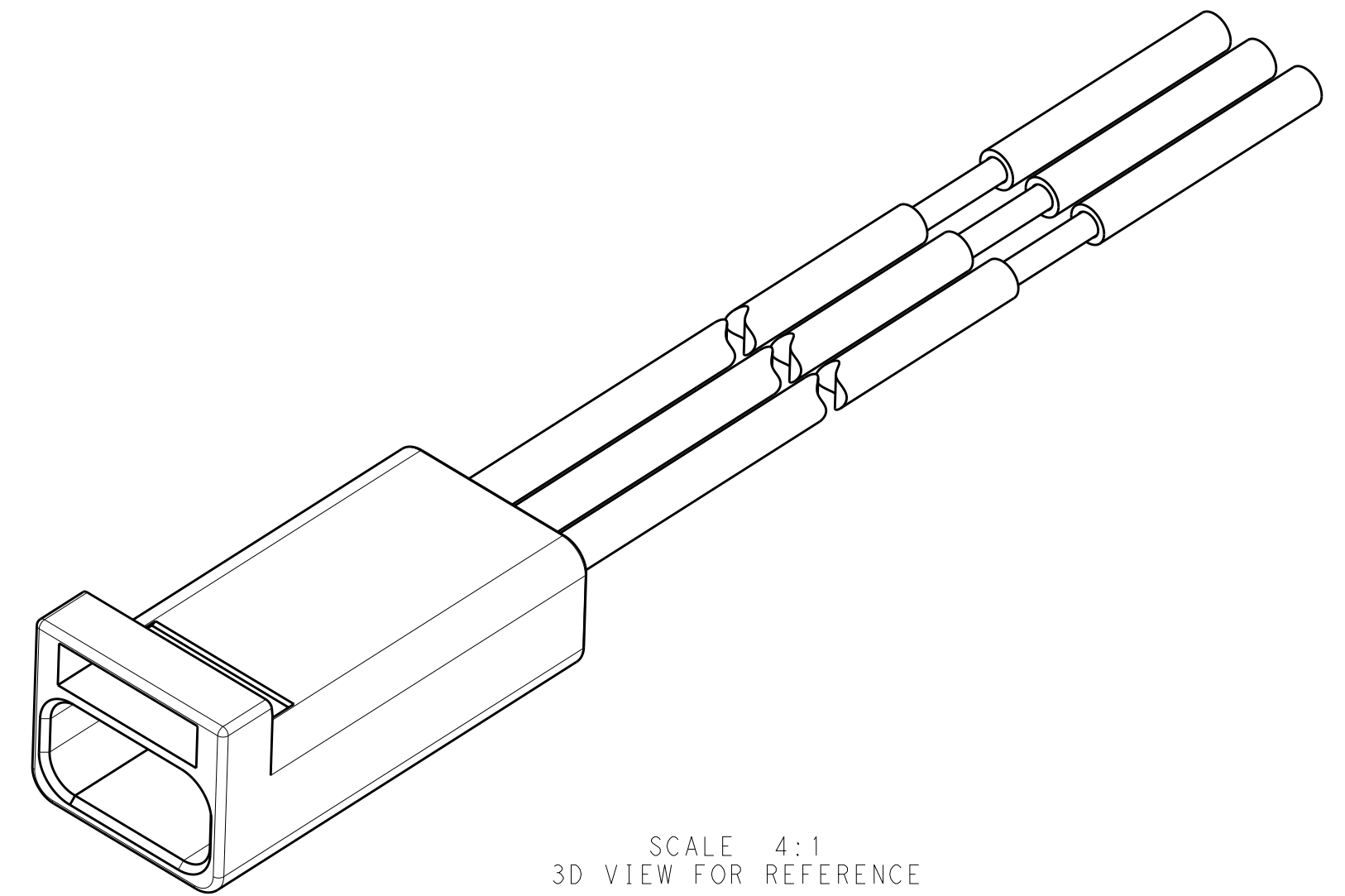
2 POS PRODUCT AS SHOWN



REC ASSEMBLY
(DRAWING NO: 2834075)



CONTACT
(DRAWING NO: 2834068)



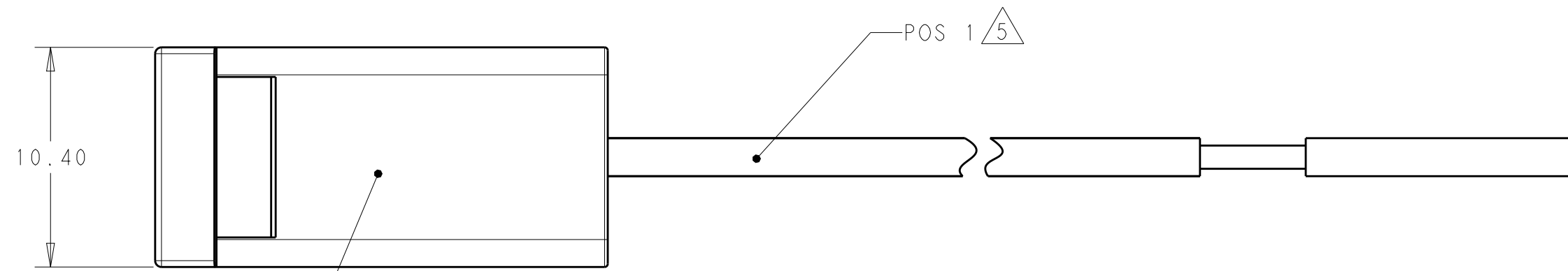
SCALE 4:1
3D VIEW FOR REFERENCE

THIS DRAWING IS A CONTROLLED DOCUMENT.		DWN ZHANG WEI 22NOV2017	TE Connectivity	
DIMENSIONS: mm		CHK FU XIAOZHI 22NOV2017		
TOLERANCES UNLESS OTHERWISE SPECIFIED:		APVD SHI MING 22NOV2017		
0 PLC ±0.5 1 PLC ±0.5 2 PLC ±0.5 3 PLC ±0.5 4 PLC ±0.5 ANGLES ± FINISH		PRODUCT SPEC 108-137093 APPLICATION SPEC 114-137093 WEIGHT -		
MATERIAL 1		NAME REC CABLE ASSEMBLY MINIATURE WATERPROOF CONNECTOR		RESTRICTED TO -
		SIZE A2	CAGE CODE -	DRAWING NO. C-2834183
CUSTOMER DRAWING		SCALE 1:1	SHEET 1 OF 3	REV B

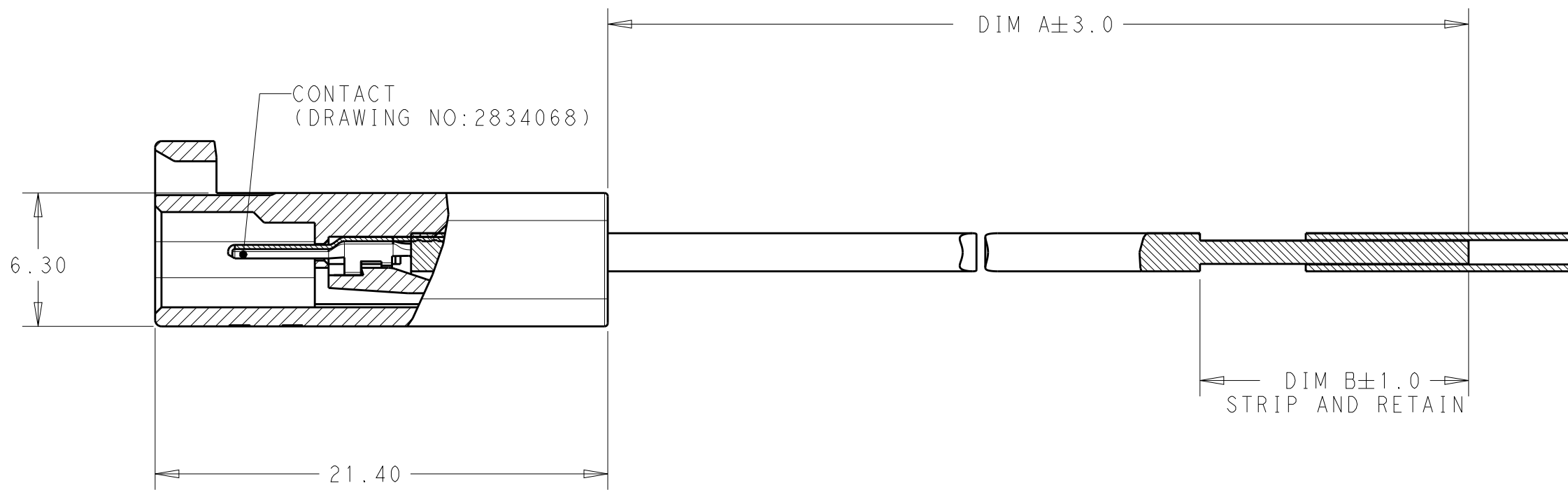
THIS DRAWING IS UNPUBLISHED. RELEASED FOR PUBLICATION 20
 © COPYRIGHT 20 BY - ALL RIGHTS RESERVED.

REVISIONS				
P	LTR	DESCRIPTION	DATE	APVD
		SEE SHEET 1		

1 POS PRODUCT AS SHOWN

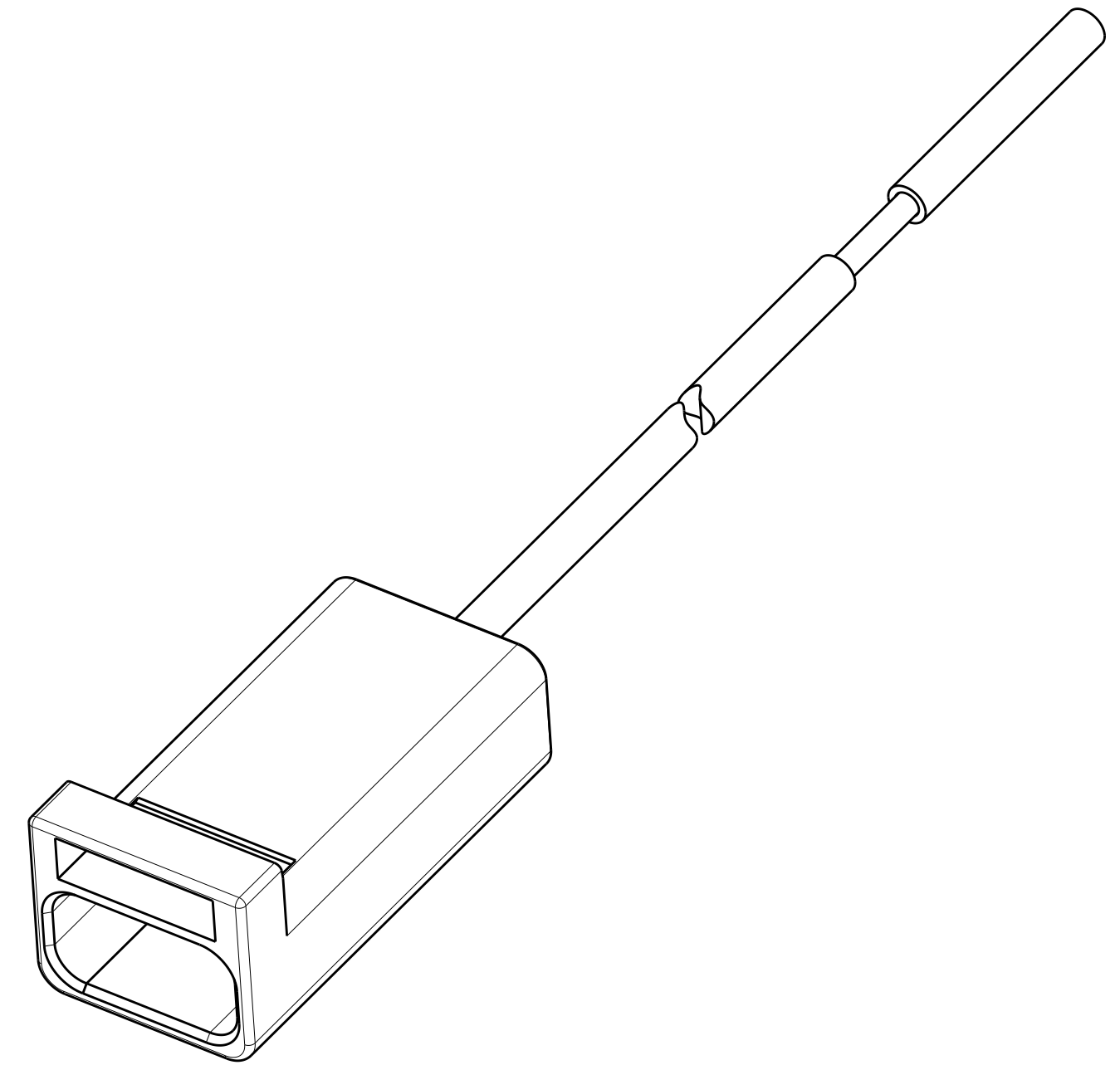


REC ASSEMBLY
(DRAWING NO: 2834075)



CONTACT
(DRAWING NO: 2834068)

DIM B ± 1.0
STRIP AND RETAIN



SCALE 4:1
3D VIEW FOR REFERENCE

THIS DRAWING IS A CONTROLLED DOCUMENT.		DWN ZHANG WEI 22NOV2017	TE Connectivity	
DIMENSIONS: mm		CHK FU XIAOZHI 22NOV2017		
TOLERANCES UNLESS OTHERWISE SPECIFIED:		APVD SHI MING 22NOV2017		
0 PLC ±0.5 1 PLC ±0.5 2 PLC ±0.5 3 PLC ±0.5 4 PLC ±0.5 ANGLES ± FINISH 2		PRODUCT SPEC 108-137093 APPLICATION SPEC 114-137093 WEIGHT -		
MATERIAL 1			NAME REC CABLE ASSEMBLY MINIATURE WATERPROOF CONNECTOR	RESTRICTED TO -
			SIZE A2	CAGE CODE -
			DRAWING NO C-2834183	
CUSTOMER DRAWING			SCALE 1:1	SHEET 2 OF 3
			REV B	