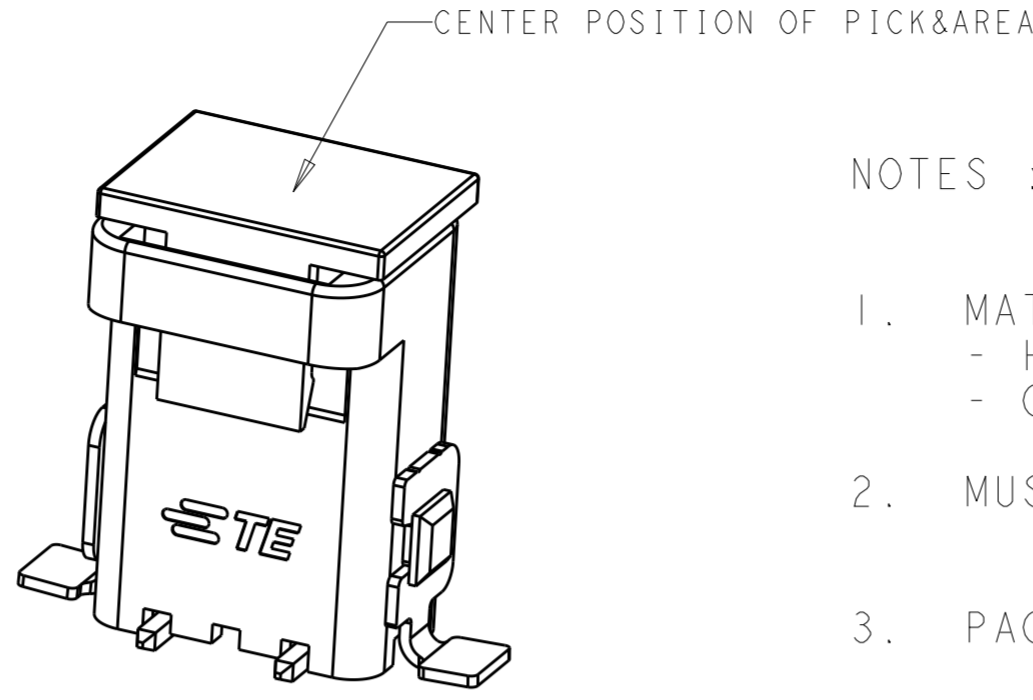
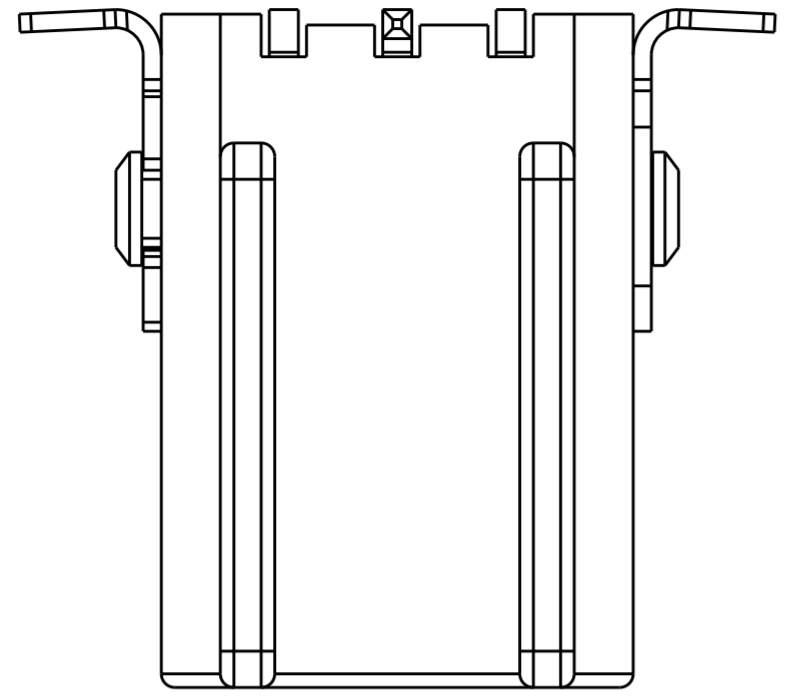
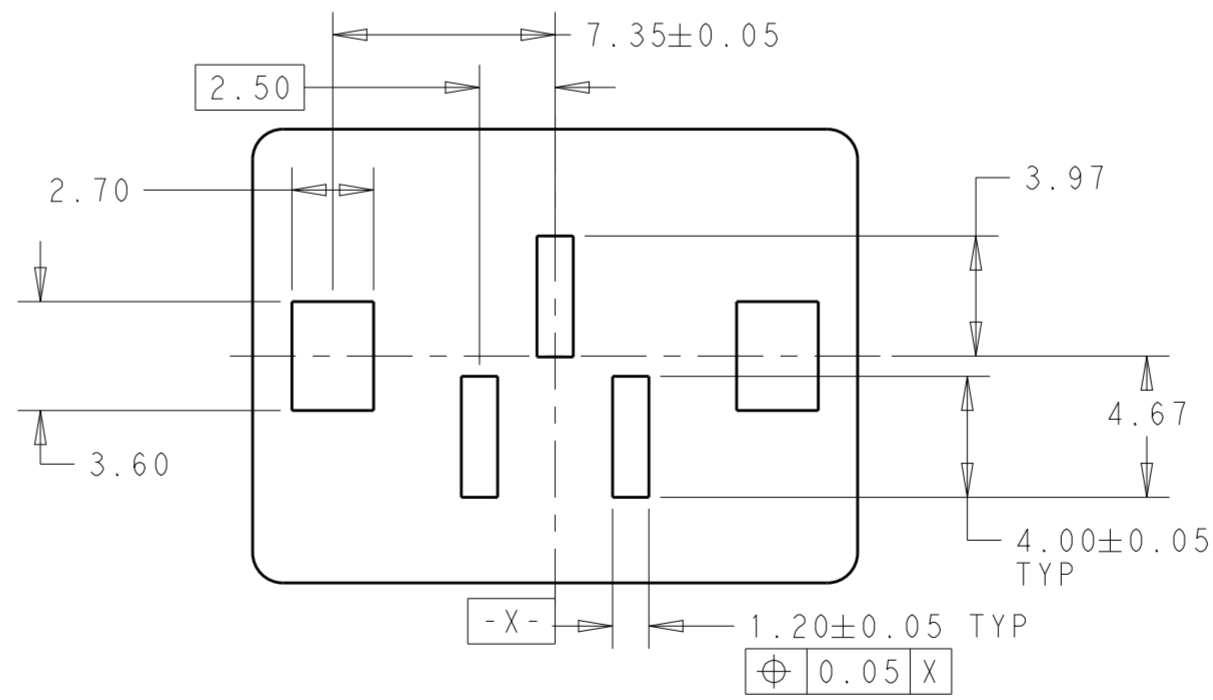
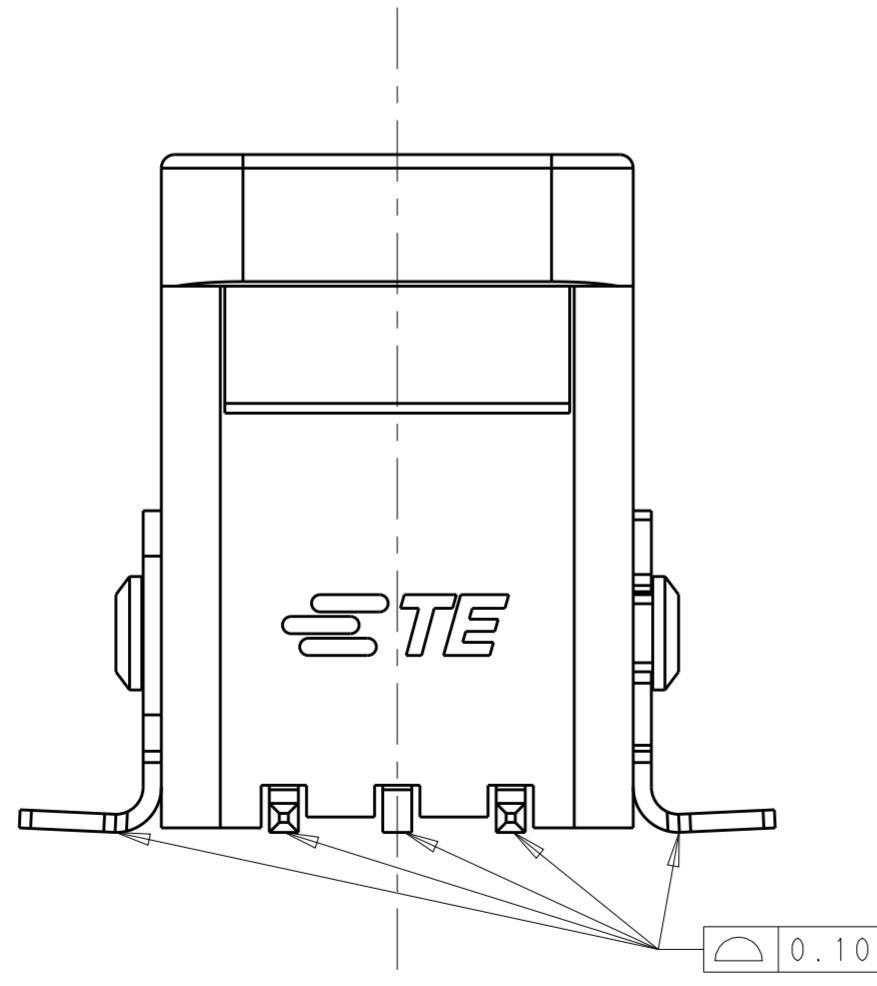
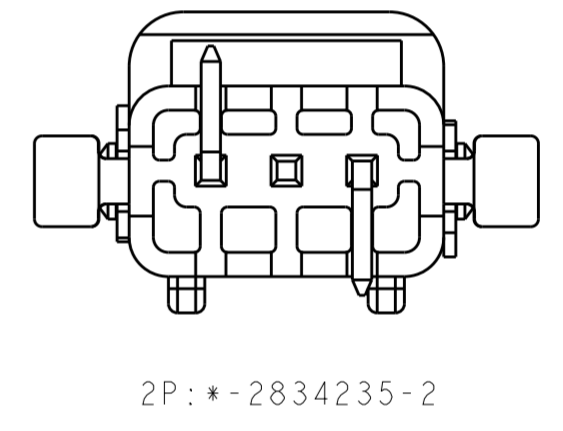
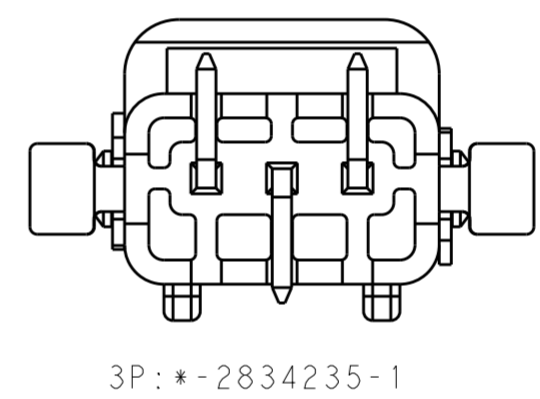
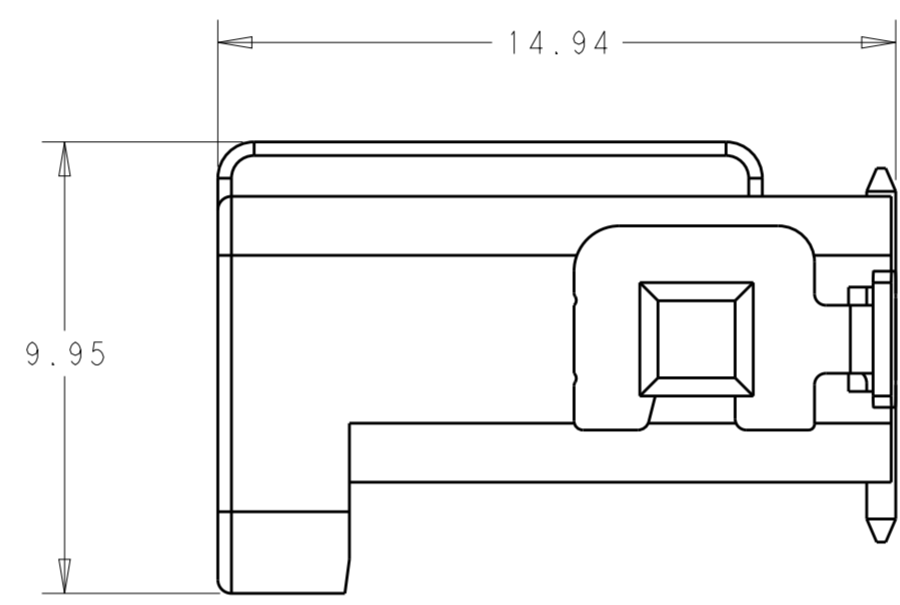
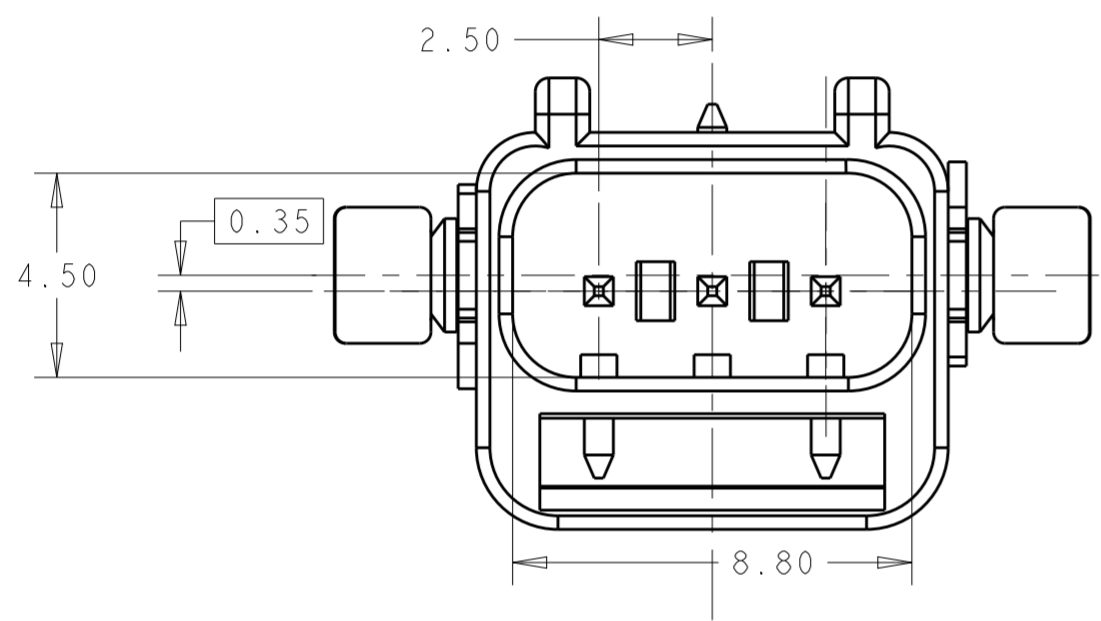


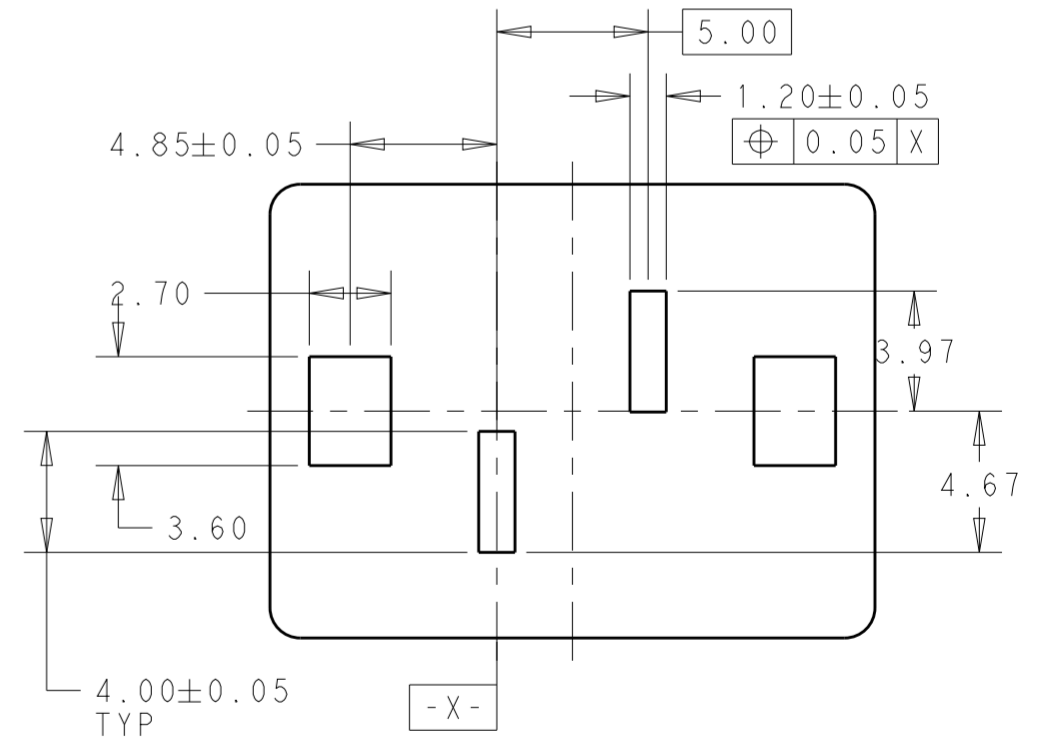
REVISIONS					
P	LTR	DESCRIPTION	DATE	DWN	APVD
A1		UPDATE THE PAD WIDTH TO 1.20mm	26MAY2017	G.F	S.M
A2		ECR-17-015236 UPDATE PART NO	16OCT2017	G.F	S.M
A3		ECR-18-009817 ADD CAP	31MAY2018	G.F	S.M
A4		ECR-19-007482 ADD NEW P/N	14MAY2019	G.F	S.M



- NOTES :
- MATERIALS AND FINISH:
 - HOUSING: LCP
 - CONTACTS: COPPER ALLOY, FINISH: TIN OVER NICKEL UNDERPLATE
 - MUST COMPLY WITH DIRECTIVE 2002/95/EC (ROHS)
 - PACKAGED IN TAPE AND REEL



3P LAYOUT FOR *-2834235-1



2P LAYOUT FOR *-2834235-2

RED	3-2834235-2	2P
BLACK	2-2834235-2	
NATURAL	1-2834235-2	
RED	3-2834235-1	3P
BLACK	2-2834235-1	
NATURAL	1-2834235-1	
COLOR	P/N	POSITION

SCALE 6:1

THIS DRAWING IS A CONTROLLED DOCUMENT.

DIMENSIONS:	TOLERANCES UNLESS OTHERWISE SPECIFIED:	DWN	16OCT2017	TE Connectivity	
mm	0 PLC ±	CHK	16OCT2017		
	1 PLC ±0.2	APVD	16OCT2017		
	2 PLC ±0.15	SHI MING	16OCT2017		
	3 PLC ±	PRODUCT SPEC	108-137266	NAME	2.5MM VERTICAL SMT TYPE
	4 PLC ±	APPLICATION SPEC	114-137266	SIZE	A2
	ANGLES ±	WEIGHT	-	CAGE CODE	-
	FINISH	CUSTOMER DRAWING	-	DRAWING NO	G-2834235

RESTRICTED TO

SCALE 5:1 SHEET 1 OF 1 REV A4