

4

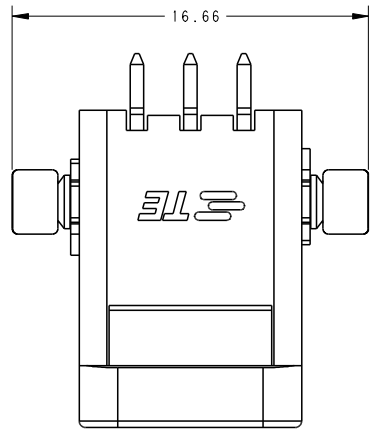
3

2

1

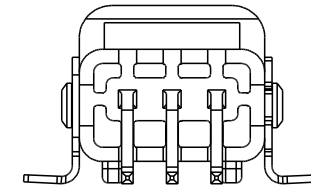
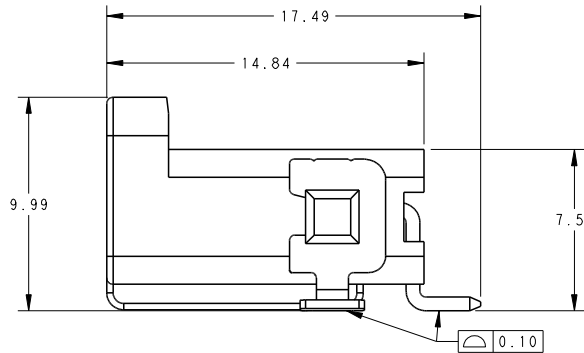
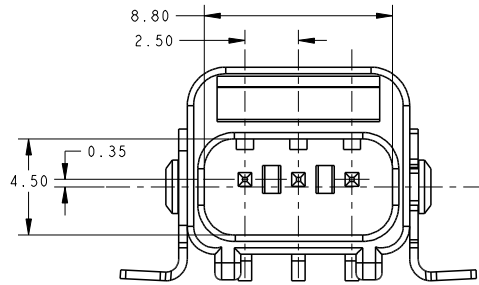
THIS DRAWING IS UNPUBLISHED. RELEASED FOR PUBLICATION 20  
© COPYRIGHT 20 BY - ALL RIGHTS RESERVED.

REVISIONS				
P	LYR	DESCRIPTION	DATE	DWN APVD
A		FIRST VERSION	14MAR2017	G.F S.M
A1		UPDATE THE PAD WIDTH	26MAY2017	G.F S.M
A2		ECR-17-015236:UPDATE THE P/N	16OCT2017	G.F S.M
A3		ECR-18-009817	17APR2018	S.G S.M

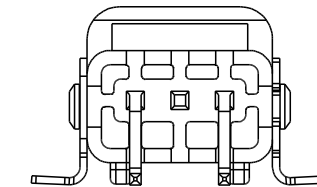


NOTES :

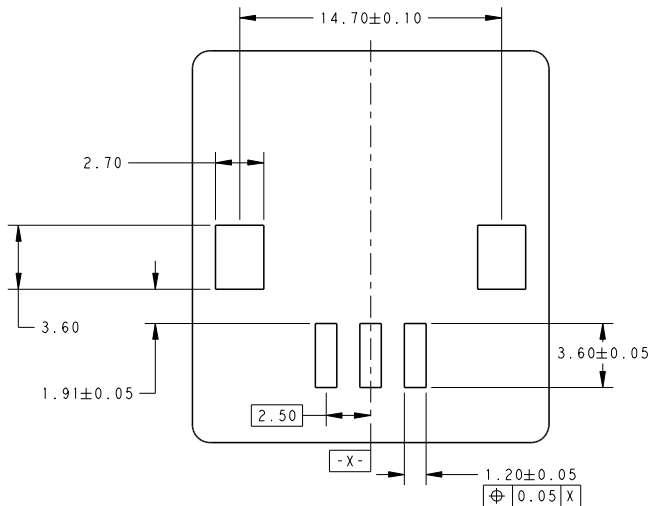
- MATERIALS AND FINISH:
  - HOUSING: LCP
  - CONTACTS: COPPER ALLOY, FINISH: TIN OVER NICKEL UNDERPLATE
- MUST COMPLY WITH DIRECTIVE 2002/95/EC (ROHS)
- PACKAGED IN TAPE AND REEL



3P: \*-2834236-1



2P: \*-2834236-2



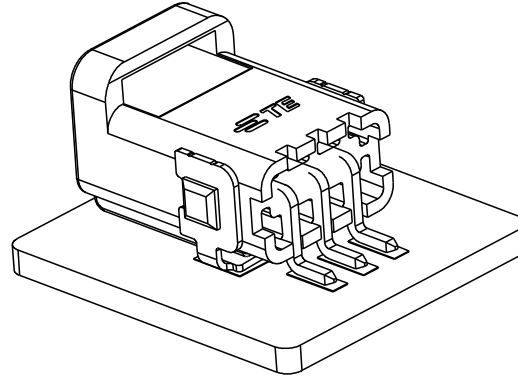
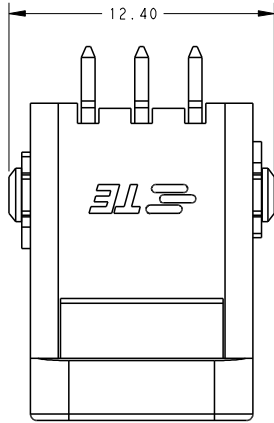
\*-2834236-1&-2 PCB LAYOUT

BLACK	2-2834236-2	2P
NATURAL	1-2834236-2	
BLACK	2-2834236-1	3P
NATURAL	1-2834236-1	
COLOR	P/N	POSITION

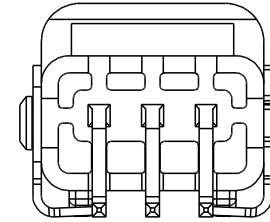
DIMENSIONS:		TOLERANCES UNLESS OTHERWISE SPECIFIED:		DWN - GEORGE FU 16OCT2017		TE Connectivity	
mm		0 PLC ±	1 PLC ±0.2	CIR - GEORGE FU 16OCT2017		NAME 2.5MM R/A SMT TYPE	
		2 PLC ±0.15	3 PLC ±	CIR - GEORGE FU 16OCT2017		WTB CONNECTOR	
		4 PLC ±	ANGLES ±	APVD - SHEI MING 16OCT2017		SIZE CAGE CODE DRAWING NO	
MATERIAL NOTE 1		NOTE 1		PRODUCT SPEC		RESTRICTED TO	
				APPLICATION SPEC		A2	
				108-137266		SCALE 4:1 SHEET 1 OF 2	
				114-137266		REV A3	
				WEIGHT		RESTRICTED CUSTOMER	
				C=2834236			

THIS DRAWING IS UNPUBLISHED. RELEASED FOR PUBLICATION 20  
 © COPYRIGHT 20 BY ALL RIGHTS RESERVED.

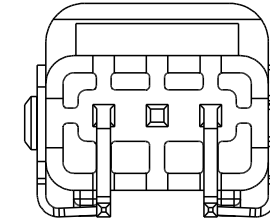
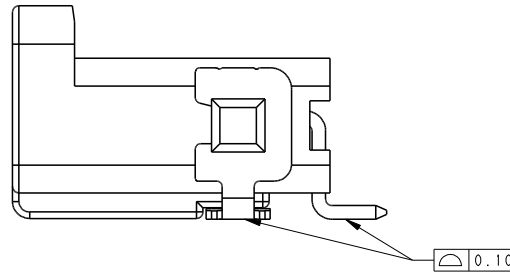
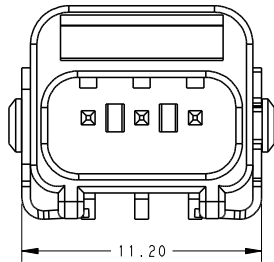
REVISIONS				
P	LYR	DESCRIPTION	DATE	APVD



NOTE:  
 MORE DIMENSIONS PLEASE FOLLOW PAGE ONE.

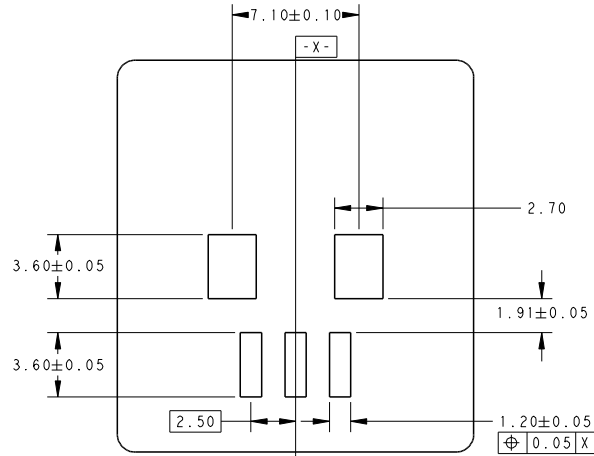


3P: \*-2834236-3



2P: \*-2834236-4

BLACK	2-2834236-4	2P
NATURAL	1-2834236-4	2P
BLACK	2-2834236-3	3P
NATURAL	1-2834236-3	3P
COLOR	P/N	POSITION



\*-2834236-3&-4 PCB LAYOUT

DIMENSIONS:		TOLERANCES UNLESS OTHERWISE SPECIFIED:		DWN - GEORGE FU 16OCT2017		REV - GEORGE FU 16OCT2017	
mm	0 PLC ±	1 PLC ±0.2	2 PLC ±0.15	APVD - SHI MING 16OCT2017	NAME	TE Connectivity	
⌀	3 PLC ±	4 PLC ±	ANGLES ±	PRODUCT SPEC	2.5MM R/A SMT TYPE		
MATERIAL	FINISH	NOTE 1	NOTE 1	APPLICATION SPEC	WTB CONNECTOR		
NOTE 1	NOTE 1	WEIGHT	RESTRICTED TO	SIZE	CAGE CODE	DRAWING NO	RESTRICTED TO
				114-137266	A2	-	©=2834236
RESTRICTED CUSTOMER				SCALE	4:1	SHEET	2 OF 2
				REV	A3		