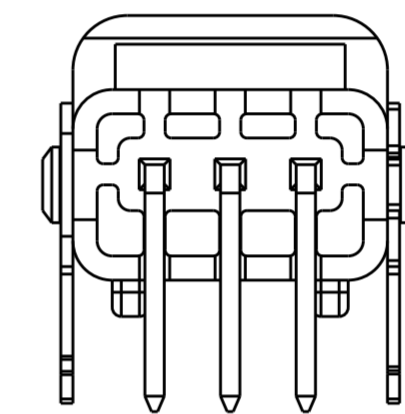
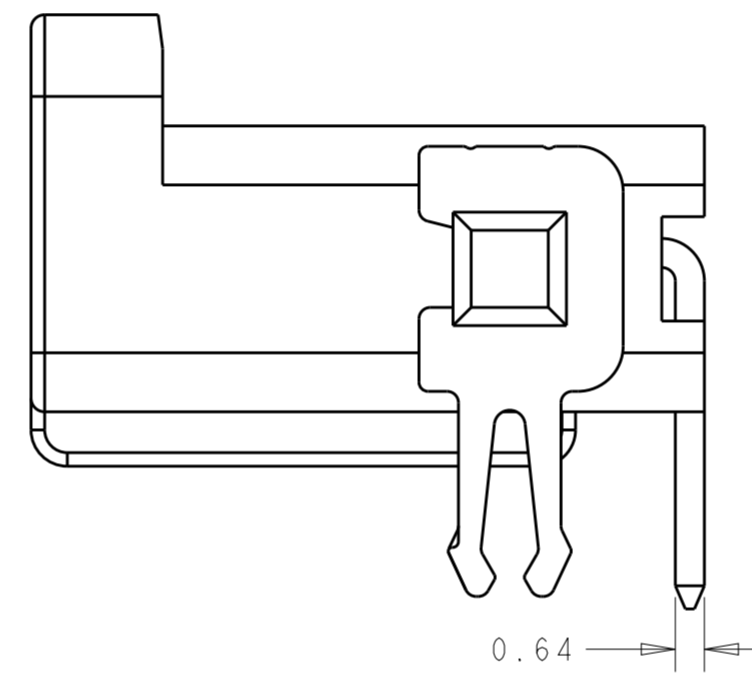
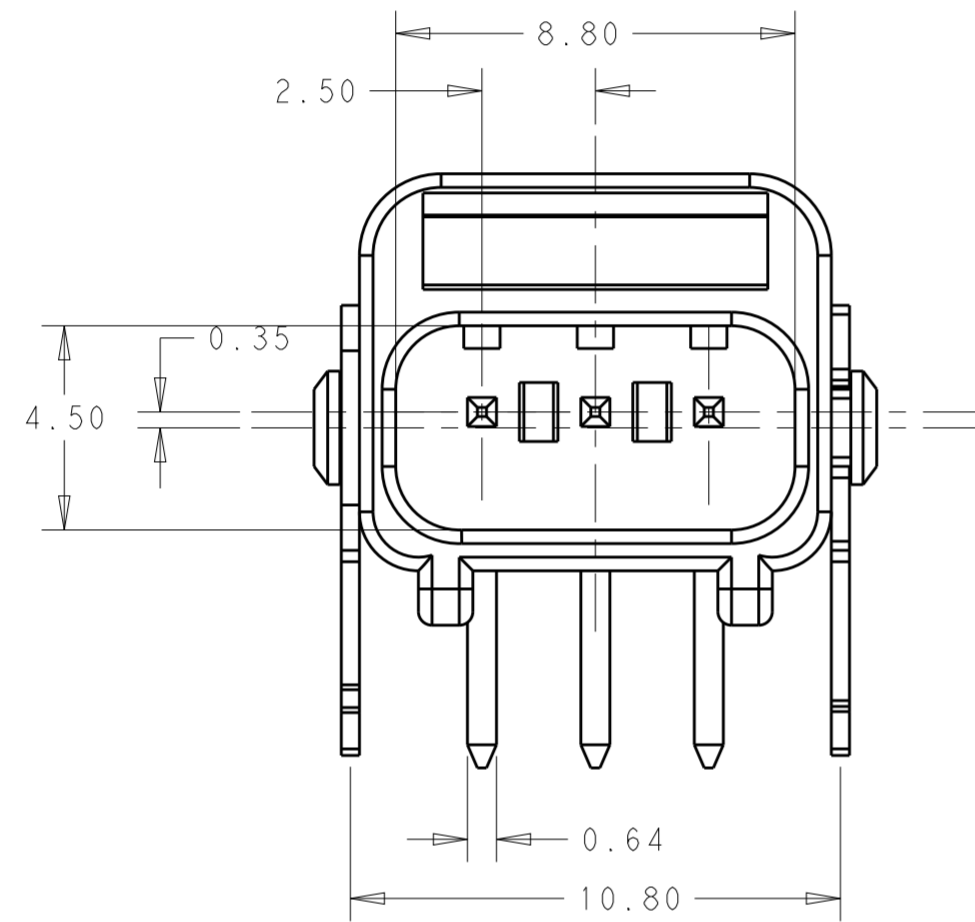
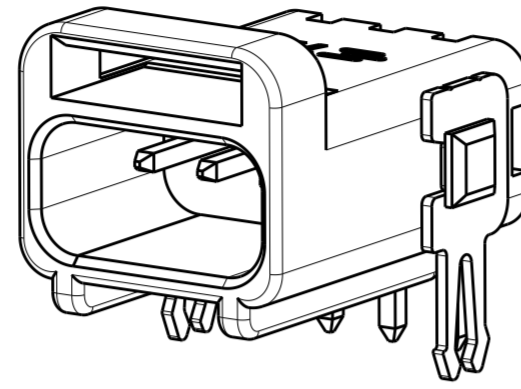


THIS DRAWING IS UNPUBLISHED. RELEASED FOR PUBLICATION
 © COPYRIGHT copyright.d8te- ALL RIGHTS RESERVED.

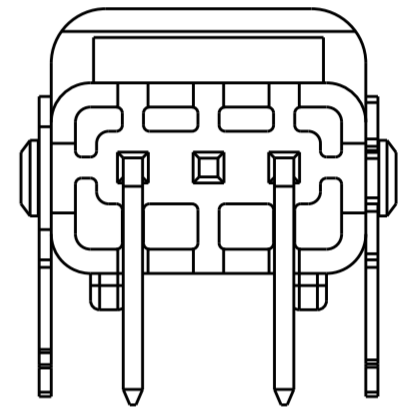
| REVISIONS | | | | | |
|-----------|-----|------------------------------|-----------|-----|------|
| P | LTR | DESCRIPTION | DATE | DWN | APVD |
| A | | FIRST VERSION | 25APR2017 | G.F | S.M |
| A1 | | ECR-17-015236: ADD COLOR P/N | 16OCT2017 | G.F | S.M |
| A2 | | ECR-18-009817 | 28JUN2018 | G.F | S.M |

NOTES :

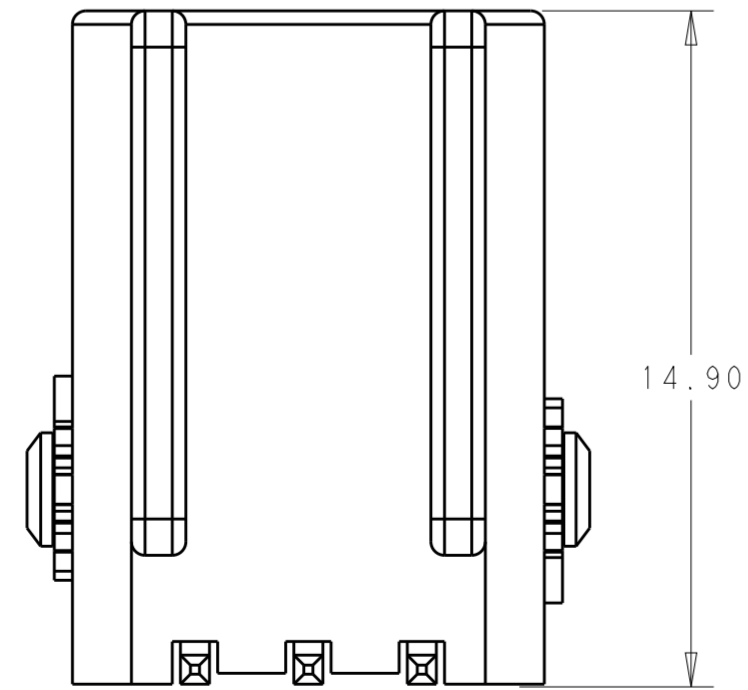
- MATERIALS AND FINISH:
 - HOUSING: LCP
 - CONTACTS: COPPER ALLOY, FINISH: TIN OVER NICKEL UNDERPLATE
- MUST COMPLY WITH DIRECTIVE 2002/95/EC (ROHS)
- PACKAGED IN TRAY



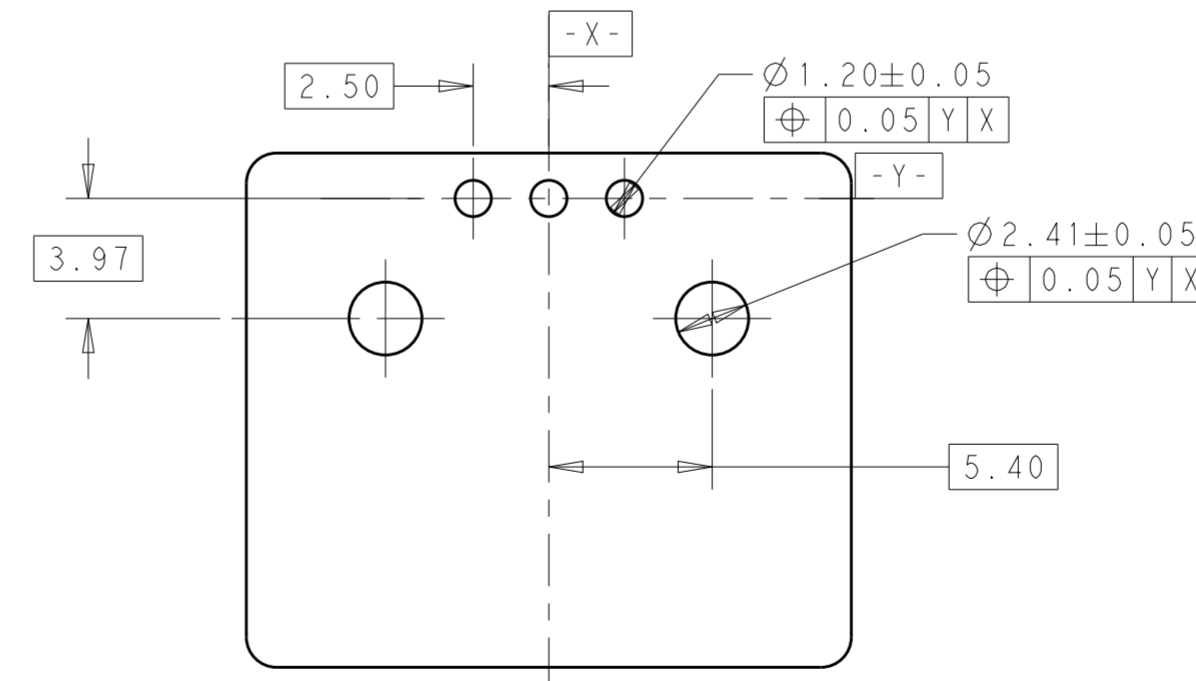
3P: *-2834238-1



2P: *-2834238-2



SCALE 6:1



PCB LAYOUT
SCALE 4:1

| | | |
|---------|-------------|----------|
| WHITE | 5-2834238-2 | 2P |
| GRAY | 4-2834238-2 | |
| RED | 3-2834238-2 | |
| BLACK | 2-2834238-2 | 3P |
| NATURAL | 1-2834238-2 | |
| WHITE | 5-2834238-1 | |
| GRAY | 4-2834238-1 | |
| RED | 3-2834238-1 | 3P |
| BLACK | 2-2834238-1 | |
| NATURAL | 1-2834238-1 | |
| COLOR | PART NO | POSITION |

THIS DRAWING IS A CONTROLLED DOCUMENT.

DWN: GEORGE FU 16OCT2017
 CHK: GEORGE FU 16OCT2017
 APVD: SHI MING 16OCT2017

PRODUCT SPEC: 108-137266
 APPLICATION SPEC: 114-137266

MATERIAL: NOTE1
 FINISH: NOTE1

TE Connectivity

NAME: 2.5mm PITCH RA TH WtoB CONN.

SIZE: A2
 CAGE CODE: -
 DRAWING NO: C-2834238

RESTRICTED TO: -

CUSTOMER DRAWING SCALE 4:1 SHEET 1 OF 1 REV A2