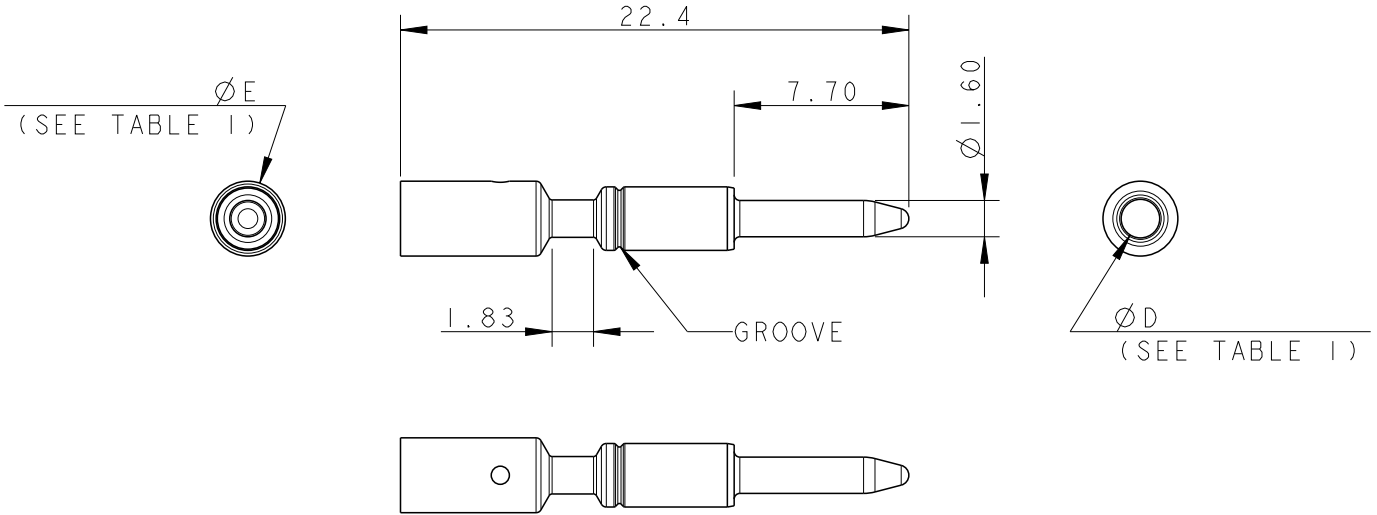


| LOC | DIST | REVISIONS | | | | | |
|-----|------|-----------|-----|---------------------------------|-----------|-----|------|
| 1 | - | P | LTR | DESCRIPTION | DATE | DWN | APVD |
| | | E | | UPDATED PART REVISION | 12AUG2014 | KR | JC |
| | | F | | UPDATED PART REVISION | 18AUG2014 | KR | JC |
| | | G | | UPDATED DRAWING | 19FEB2015 | KR | MZ |
| | | H | | ECR-15-009919 AND ECR-15-010559 | 16JUL2015 | RS | JL |



| TABLE 2 (SCALE 1:1) | | |
|------------------------------------|---------------------------|----------------|
| | | 2-293476-2 |
| | | 1-293476-2 |
| | | 293476-2 |
| ADDITIONAL VIEWS, FOR REFERENCE | 3D VIEWS FOR REFERENCE | PART NUMBER |

NOTES:

1) PACKAGING: SEE TE PACKAGING SPEC. 107-20294

2) PART NOT YET RELEASED FOR PRODUCTION

| TABLE 1 | | | | | | | |
|---------|----------------------|---------------|---------------|----------------|----------------|------------------------------------|-------------|
| 2 | 4.0 | 3.9 | 2.8 | 0 | -0.8 | MACHINE PIN CONTACT NECTOR* M-LINE | 2-293476-2 |
| | 2.5 | 3.3 | 2.2 | 0 | -0.7 | MACHINE PIN CONTACT NECTOR* M-LINE | 1-293476-2 |
| | 1.5 | 3.3 | 1.7 | 1 | -0.8 | MACHINE PIN CONTACT NECTOR* M-LINE | 293476-2 |
| NOTE | CROSS SECTION (sqmm) | DIMENSION "E" | DIMENSION "D" | NO. OF GROOVES | NET WEIGHT (g) | DESCRIPTION | PART NUMBER |

2010 RELEASED FOR PUBLICATION ALL RIGHTS RESERVED. THIS DRAWING IS UNPUBLISHED. BY - COPYRIGHT 2010

| | | | |
|--|----------------------------|--|-----------------|
| DIMENSIONS: mm | DWN M. ZUCCA 22OCT2009 | MATERIAL BRASS | FINISH TIN PLTD |
| TOLERANCES UNLESS OTHERWISE SPECIFIED: | CHK M. ZUCCA 22OCT2009 | TE Connectivity | |
| 0 PLC ±- | APVD G. TURCO 22OCT2009 | | |
| 1 PLC ±0.3 | PRODUCT SPEC 108-20304 | NAME MACHINED PIN CONTACT NECTOR* M-LINE | |
| 2 PLC ±0.20 | APPLICATION SPEC 114-20152 | SIZE A4 | CAGE CODE 00779 |
| 3 PLC ±- | WEIGHT SEE TABLE 1 | DRAWING NO C-293476 | RESTRICTED TO - |
| 4 PLC ±- | Customer Drawing | SCALE 3:1 | SHEET 1 OF 1 |
| ANGLES ±3° | | | REV H |