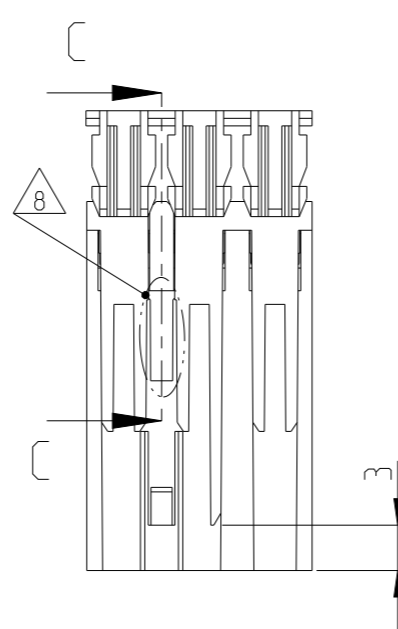
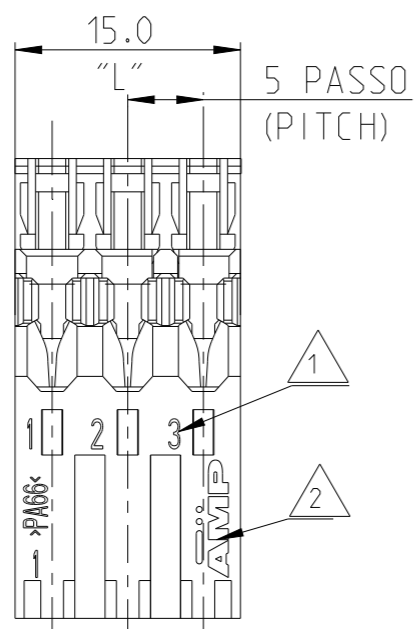
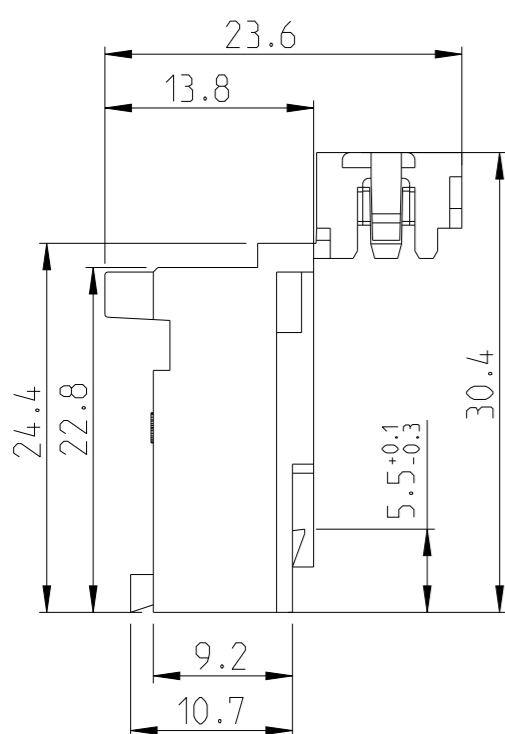
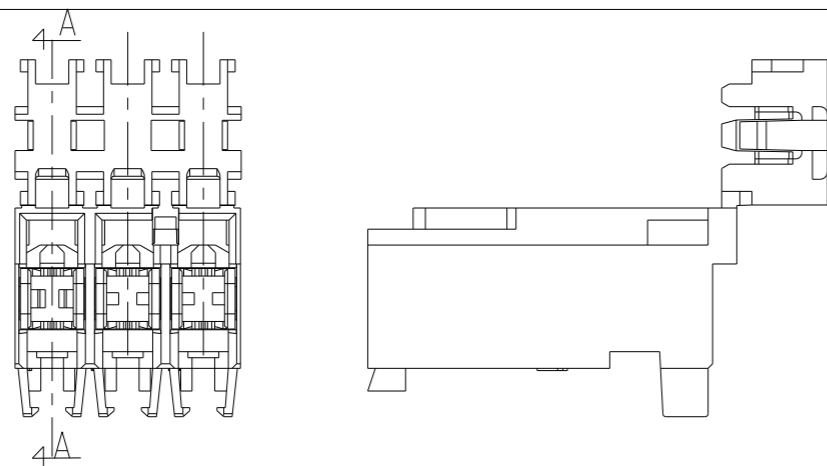
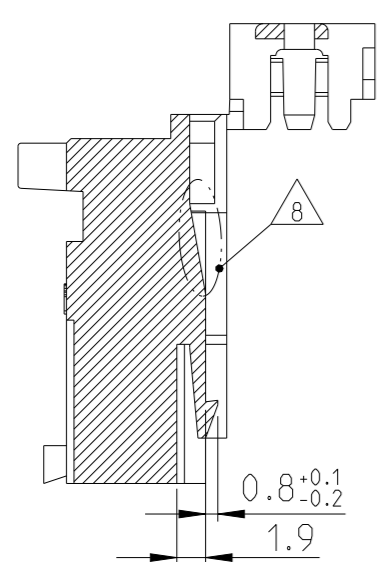
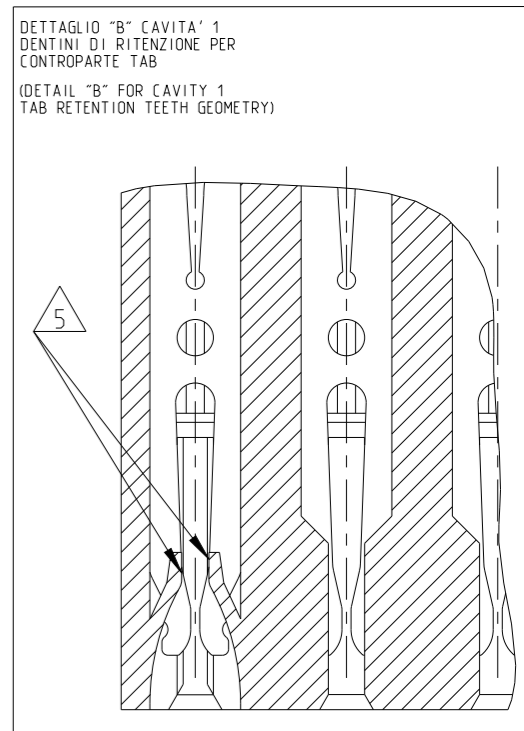
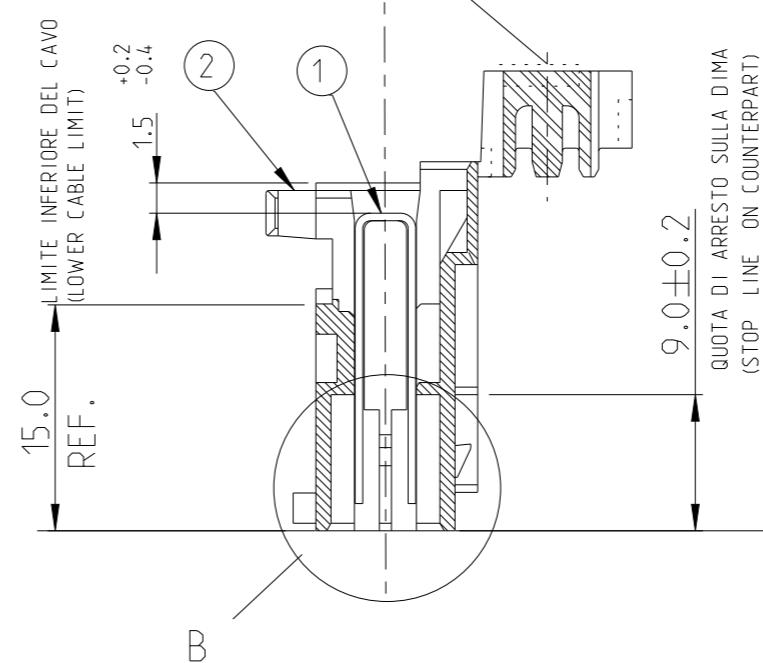


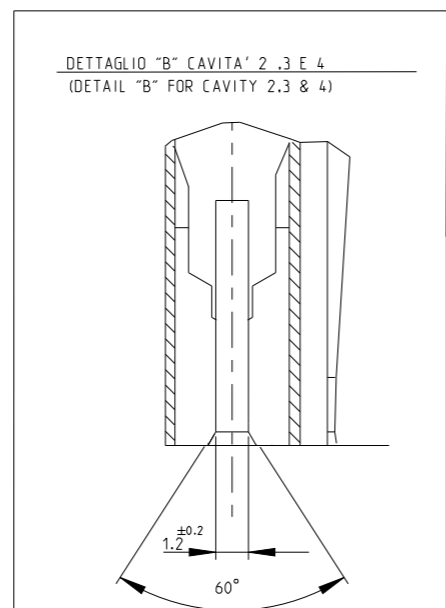
LOC	DIST	REVISIONS					
		P	LTR	DESCRIPTION	DATE	DWN	APVD
1	-	D2	ECR-20-005284		16APR2020	SM	FL
		D3	ECR-21-100150		19JAN2021	SM	FL
		D4	ECR-21-102869		10MAY2021	SM	FL
		D5	ECR-21-110402		30AUG2021	KD	FL



SEZ. A-A
 COLOR CODE STRIP ALLOCATO
 IN QUESTA AREA DEL COPERCHIO
 (COLOR CODE STRIP
 LOCATED ON THE COVER AS SHOWN)



SECTION C-C
2:1



2	BLOCCETTO (HOUSING)	NATURALE (NATURAL)	PA 6.6 CARICATO VETRO (POLIAMIDE 6.6 GLASSFIBER FILLED)
1	CONTATTO (CONTACT)	STAGNATO (TIN-PLATED)	OTTONE (BRASS)
ITEM	DENOMINAZIONE (DESCRIPTION)	FINITURA / COLORE (FINISH / COLOUR)	MATERIALE (MATERIAL)
			DIAM. ISOLANTE (INS. DIA. RANGE) 3.0 max. RANGO FILO (WIRE RANGE) 0.5-1.5mm2

THIS DRAWING IS A CONTROLLED DOCUMENT.

DWN C.CORDOLA 02DEC2008
 CHK G.TURCO 02DEC2008
 APVD -

DIMENSIONS: mm

TOLERANCES UNLESS OTHERWISE SPECIFIED:
 0 PLC ±
 1 PLC ±
 2 PLC ± ±0.3
 3 PLC ±
 4 PLC ±
 ANGLES ±0° 30'
 FINISH SEE TABLE

MATERIAL SEE TABLE

PRODUCT SPEC 108-20065-1 108-20065-2
 APPLICATION SPEC 114-20016 114-20016-1
 WEIGHT -

CUSTOMER DRAWING

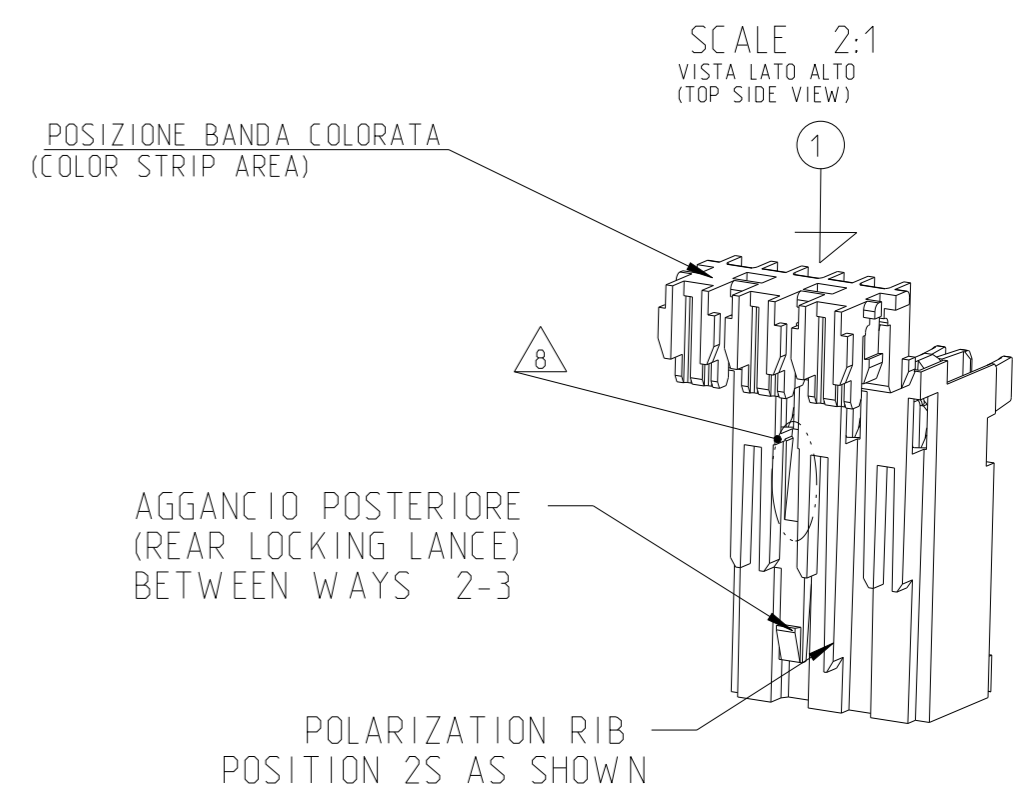
STE TE Connectivity

MONO SHAPE MK I TAB
 SPECIAL 2-8 POS REAR LOCKING

SIZE A3 CAGE CODE 00779 DRAWING NO C-293491 RESTRICTED TO -

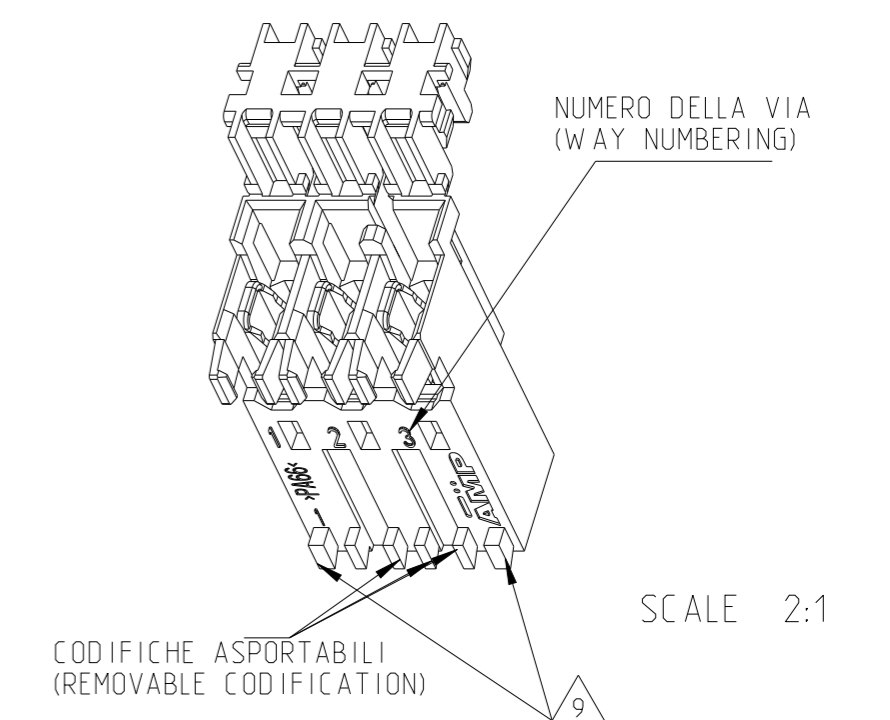
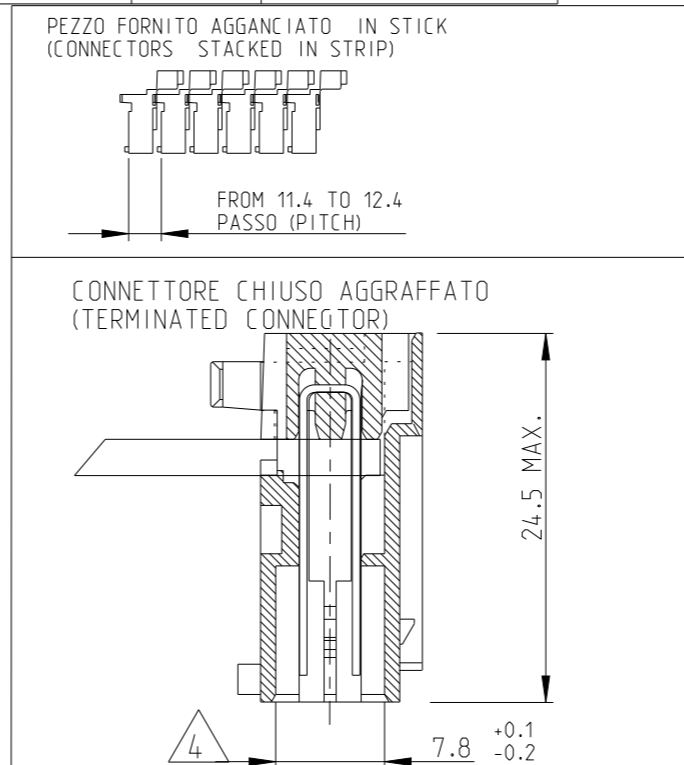
SCALE 2:1 SHEET 1 OF 3 REV D5

NUMERO DI VIE	CONFIGURAZIONE (Vista connettore dall'alto)	VERSIONE PEZZI IN VASSOIO	PART REV.	VERSIONE PEZZI SCIOLTI	PART REV.	POSIZIONE AGGANCIAMENTO (LATO POSTERIORE)	POSIZIONE POLARIZZAZIONE (LATO POSTERIORE) (SE PRESENTE)	L +0.2 -0.3 (mm)	NOTE MARCHIATURA CON BANDA COLORATA
NO OF POS	CONFIGURATION (View from top side)	TRAY PACKAGING VERSION		LOOSE PIECES PACKAGING VERSION		LOCKING POSITION (Back side)	POSITION FOR POLARIZATION ON BACK SIDE (IF PRESENT)		NOTE STRIP COLOUR
2		0-293491-2	D	-	-	1-2	1S-2D	9.9	-
2		1-293491-2	D	-	-	1-2	1S	9.9	-
2		2-293491-2	D	-	-	1-2	-	9.9	-
3		0-293491-3	D	-	-	2-3	2S	14.9	-
3		1-293491-3	D	-	-	1-2	1S-2D	14.9	BLACK
4		0-293491-4	D	-	-	1-2, 3-4	1S,2D,3S	19.9	-
4		1-293491-4	D	7	-	1-2, 3-4	1S,2D	19.9	-
8		0-293491-8	D	-	-	1-2, 7-8	2D,3S,6D,7S	39.9	-



NOTE/NOTES:

- 1) NUMERI DI IDENTIFICAZIONE CAVITA' (CIRCUIT IDENTIFICATION)
- 2) MARCHIO DI FABBRICA (LIBERA POSIZIONE) (TRADE MARK LOGO FREE POSITION)
- 3) L'AGGANCIAMENTO PER LINGUETTA E' POSIZIONATO SOLO NELLA CAVITA' N. 1 (VEDI ANCHE NOTA 5) (RETENTION TOOTH IT IS LOCATED ON THE CAVITY N.1 SEE ALSO NOTE 5)
- 4) DIVENTA 6.5 PER LA CAVITA' N. 1 SUI CONNETTORI (BECOMES 6.5. FOR THE CAVITY N.1)
- 5) GEOMETRIA ALTERNATIVA E OPZIONALE DEL DENTINO DI AGGANCIAMENTO (ALTERNATIVE AND OPTIONAL SHAPE FOR RETENTION TOOTH)
- 6) STATO DI FORNITURA: CONFEZIONAMENTO IN "VASSOI + SCATOLA" (PACKAGING: "ON TRAY PLUS CARTON BOX")
- 7) PRELIMINARY- PART NOT YEST RELEASED FOR PRODUCTION
- 8) SLIDE PROFILE (WEDGE SHAPE SLOT) ON THE AREA ABOVE THE LOCKING LANCE GEOMERTY TO FACILITATE UN-CHAINING PROCESS.
- 9) DIFFERENT CODING RIB GEOMETRY AT BOTH END. WIDTH OF CODING RIB REDUCED TO 1.1 mm FOR ALL REAR LOCKING VERSIONS



THIS DRAWING IS A CONTROLLED DOCUMENT.

DWN C.CORDOLA 02DEC2008
 CHK G.TURCO 02DEC2008

APVD - -

PRODUCT SPEC 108-20065-1, 108-20065-2
 APPLICATION SPEC 114-20016, 114-20016-1

NAME MONO SHAPE MK I TAB SPECIAL 2-8 POS REAR LOCKING

SIZE A3 CAGE CODE 00779 DRAWING NO C-293491 RESTRICTED TO -

MATERIAL SEE TABLE FINISH SEE TABLE WEIGHT -

CUSTOMER DRAWING SCALE 2:1 SHEET 2 OF 3 REV D5