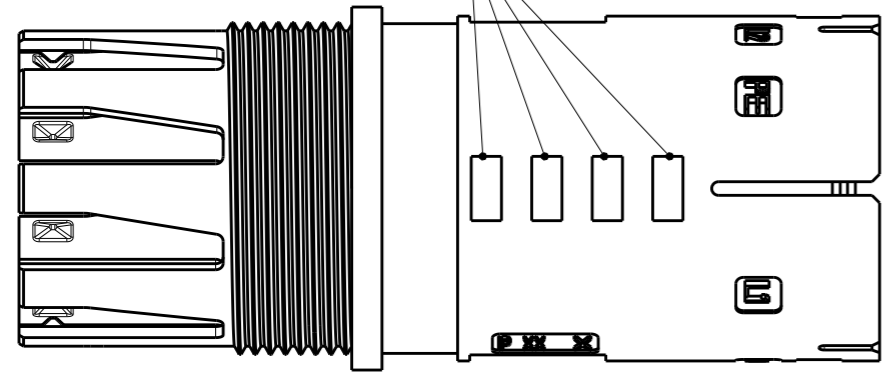
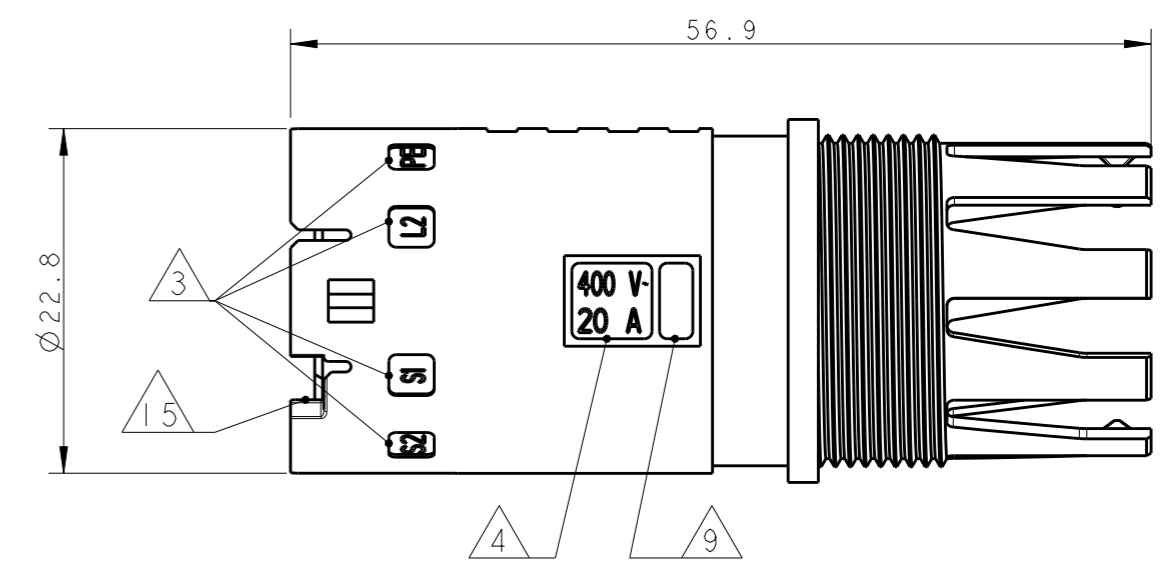
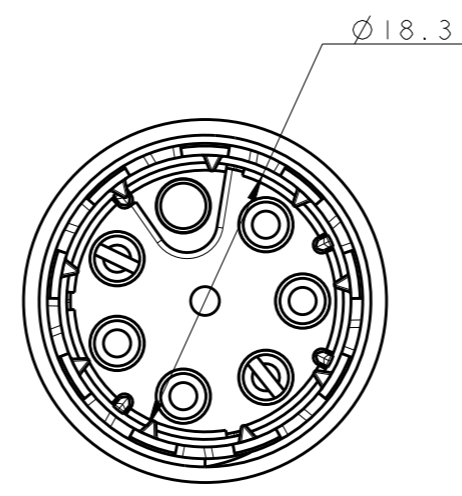
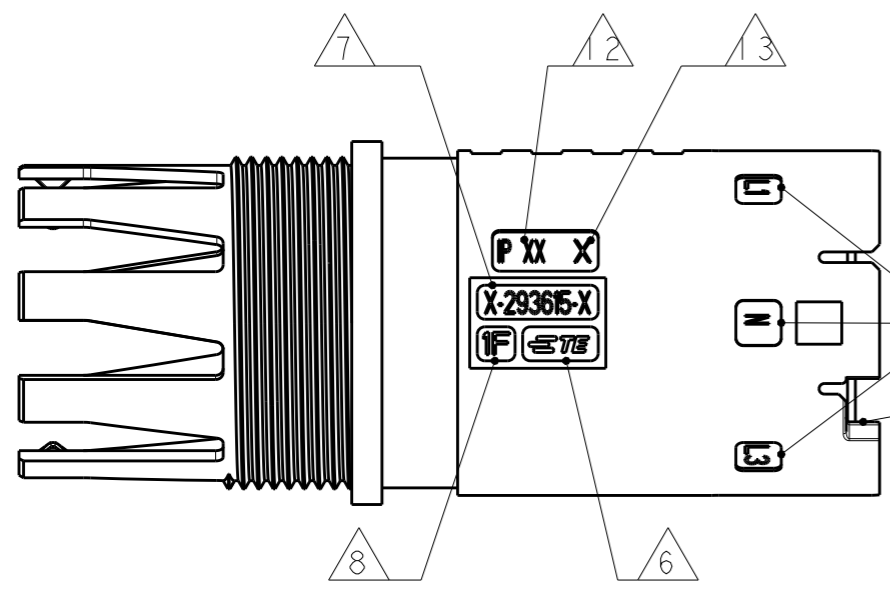


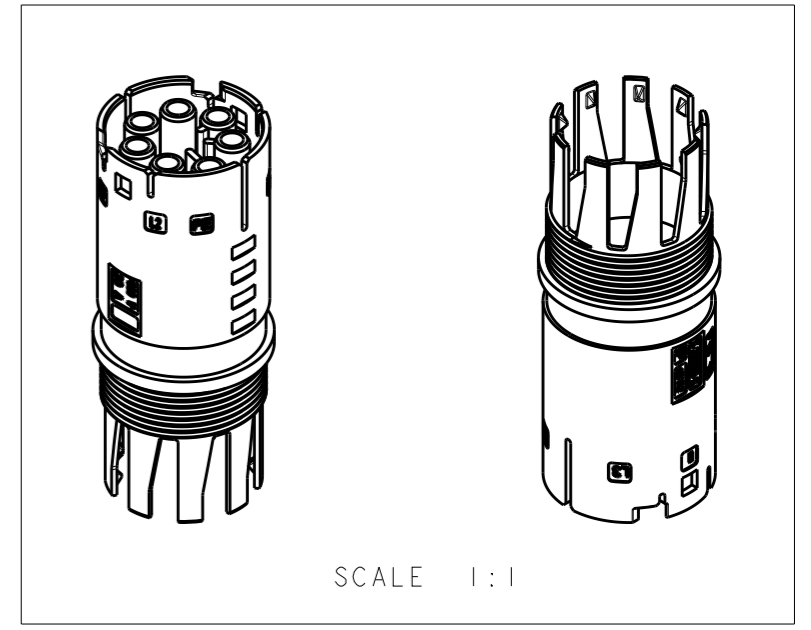
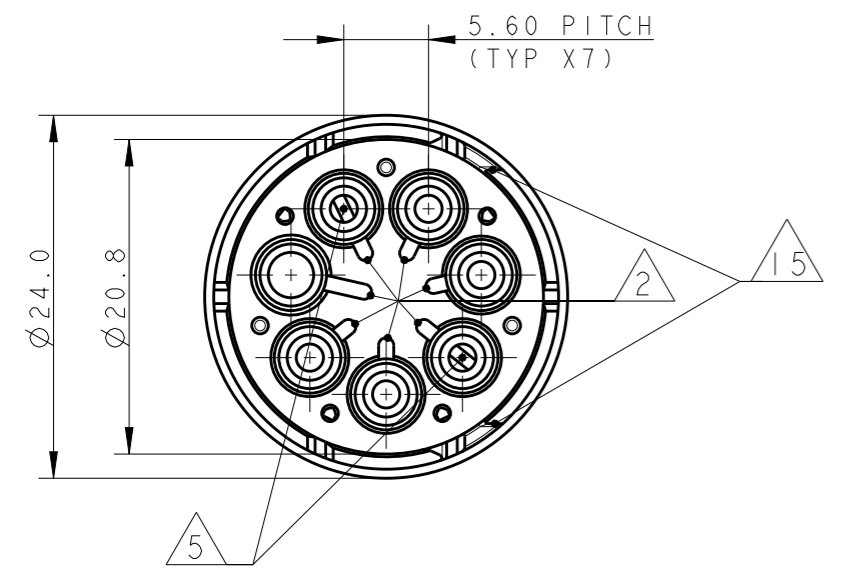
THIS DRAWING IS UNPUBLISHED. RELEASED FOR PUBLICATION 2011  
 © COPYRIGHT 2011 ALL RIGHTS RESERVED.


| LOC | DIST | REVISIONS |     |                               |           |     |      |
|-----|------|-----------|-----|-------------------------------|-----------|-----|------|
|     |      | P         | LTR | DESCRIPTION                   | DATE      | DWN | APVD |
| 1   | -    |           | 5   | UPDATED                       | 18JUL2013 | MZ  | JC   |
|     |      |           | A   | PARTS RELEASED FOR PRODUCTION | 12NOV2013 | MZ  | JC   |
|     |      |           | A1  | ECR-18-006945                 | 30MAY2018 | SR  | MZ   |



NOTES:

- 1 MATERIAL: PA GF (NATURAL AND BLACK COLOUR)
  - 2 ALL POLARIZATION KEYS SHOWN FOR REF ONLY
  - 3 WAYS I.D.
  - 4 VOLTAGE AND CURRENT RATINGS
  - 5 RIB CLOSING CAVITIES BY CHANGE OVER
  - 6 TE LOGO
  - 7 TE PART NUMBER
  - 8 DATA CODE
  - 9 AREA FOR AGENCIES APPROVAL LOGO
  - 10 VISUAL INDOCATOR FOR PE CONDUCTOR
- 11) SEE C-DRAWING 293682 (LOCKING CAP) TO GET IP 40
- 12 IP CODE
  - 13 CAVITY I.D.
  - 14 POLARISATION KEY "TYPE D" SUITABLE FOR DALI APPLICATION
  - 15 SLOTS TO ALLOW DELATCHING OPERATION. FOR DELATCHING TOOL AND OPERATION REFER TO APPLICATION SPEC.



|   |  |                         |   |                 |
|---|--|-------------------------|---|-----------------|
| THIS DRAWING IS A CONTROLLED DOCUMENT.                                      |  | DWN M. ZUCCA 31MAR2011  |  TE Connectivity |                 |
| DIMENSIONS: mm  |  | CHK M. ZUCCA 31MAR2011  |   |                 |
| TOLERANCES UNLESS OTHERWISE SPECIFIED:                                      |  | APVD G. TURCO 31MAR2011 |   |                 |
| 0 PLC ±-<br>1 PLC ±0.3<br>2 PLC ±0.20<br>3 PLC ±-<br>4 PLC ±-<br>ANGLES ±3° |  | PRODUCT SPEC -          |   |                 |
| MATERIAL NOTE 1   |  | FINISH -                | NAME SOCKET HOUSING FREE HANGING NECTOR M-LINE 5 POLES UNSEALED VERSION                               |                 |
|   |  | Customer Drawing        | SIZE A3   | CAGE CODE 00779 |
|   |  |                         | DRAWING NO. C-293615  | RESTRICTED TO - |
|   |  |                         | SCALE 2:1   | SHEET 1 OF 2    |
|   |  |                         |   | REV A1          |

THIS DRAWING IS UNPUBLISHED.

RELEASED FOR PUBLICATION

2011

© COPYRIGHT 2011

ALL RIGHTS RESERVED.

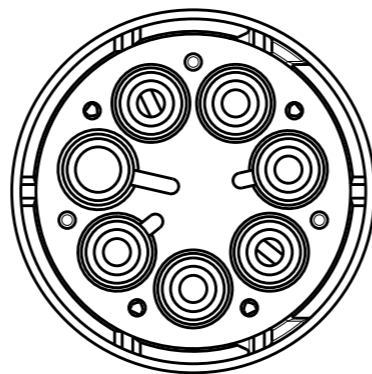
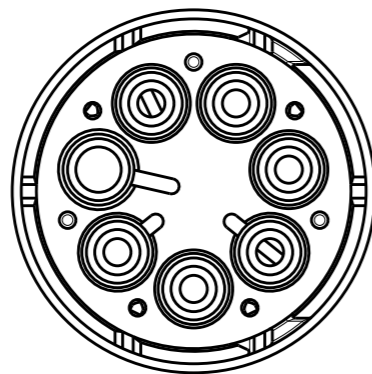
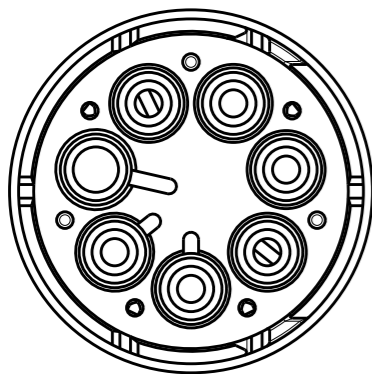
| LOC | DIST | REVISIONS   |      |     |      |
|-----|------|-------------|------|-----|------|
| P   | LTR  | DESCRIPTION | DATE | DWN | APVD |
|     | -    | SEE SHEET 1 | -    | -   | -    |

POLARIZATION TYPES

POLARIZATION TYPE "A"

POLARIZATION TYPE "B"

POLARIZATION TYPE "C"



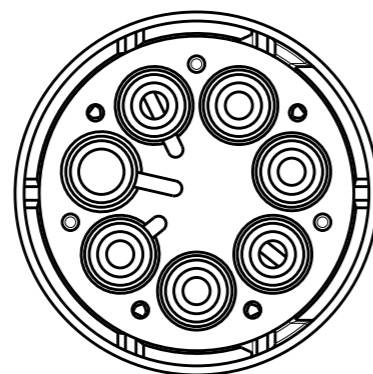
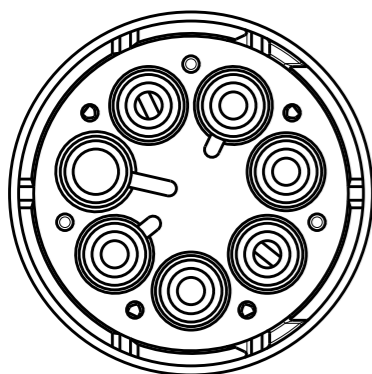
PNs 0-293615-1  
AND 1-293615-1

PNs 0-293615-2  
AND 1-293615-2

PNs 0-293615-3  
AND 1-293615-3

POLARIZATION TYPE "D"

POLARIZATION TYPE "E"



~~PNs 0-293615-4  
AND 1-293615-4~~

~~PNs 0-293615-5  
AND 1-293615-5~~

|          |  |             |         |   |      |             |
|----------|--|-------------|---------|---|------|-------------|
| OBSOLETE |  | E           | BLACK   | SOCKET HOUSING FREE HANG.<br>NECTOR* M-LINE 5 POLES | A    | 1-293615-5  |
|          |  | D           | BLACK   | SOCKET HOUSING FREE HANG.<br>NECTOR* M-LINE 5 POLES | A    | 1-293615-4  |
|          |  | C           | BLACK   | SOCKET HOUSING FREE HANG.<br>NECTOR* M-LINE 5 POLES | A    | 1-293615-3  |
|          |  | B           | BLACK   | SOCKET HOUSING FREE HANG.<br>NECTOR* M-LINE 5 POLES | A    | 1-293615-2  |
|          |  | A           | BLACK   | SOCKET HOUSING FREE HANG.<br>NECTOR* M-LINE 5 POLES | A    | 1-293615-1  |
| OBSOLETE |  | E           | NATURAL | SOCKET HOUSING FREE HANG.<br>NECTOR* M-LINE 5 POLES | A    | 0-293615-5  |
|          |  | D           | NATURAL | SOCKET HOUSING FREE HANG.<br>NECTOR* M-LINE 5 POLES | A    | 0-293615-4  |
|          |  | C           | NATURAL | SOCKET HOUSING FREE HANG.<br>NECTOR* M-LINE 5 POLES | A    | 0-293615-3  |
|          |  | B           | NATURAL | SOCKET HOUSING FREE HANG.<br>NECTOR* M-LINE 5 POLES | A    | 0-293615-2  |
|          |  | A           | NATURAL | SOCKET HOUSING FREE HANG.<br>NECTOR* M-LINE 5 POLES | A    | 0-293615-1  |
| NOTE     |  | POL. KEYING | COLOUR  | DESCRIPTION   | REV. | PART NUMBER |

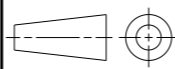
THIS DRAWING IS A CONTROLLED DOCUMENT.

DWN M. ZUCCA 31MAR2011  
 CHK M. ZUCCA 31MAR2011  
 APVD G. TURCO 31MAR2011



DIMENSIONS:  
mm

TOLERANCES UNLESS OTHERWISE SPECIFIED:



0 PLC ±  
 1 PLC ±0.3  
 2 PLC ±0.20  
 3 PLC ±  
 4 PLC ±  
 ANGLES ±3°

MATERIAL NOTE 1

FINISH -

PRODUCT SPEC -

APPLICATION SPEC -

WEIGHT -

NAME  
 SOCKET HOUSING FREE HANGING  
 NECTOR M-LINE 5 POLES  
 UNSEALED VERSION

SIZE A300779 CAGE CODE G-293615 DRAWING NO RESTRICTED TO

Customer Drawing SCALE 2:1 SHEET 2 OF 2 REV A1