

1-331280-1

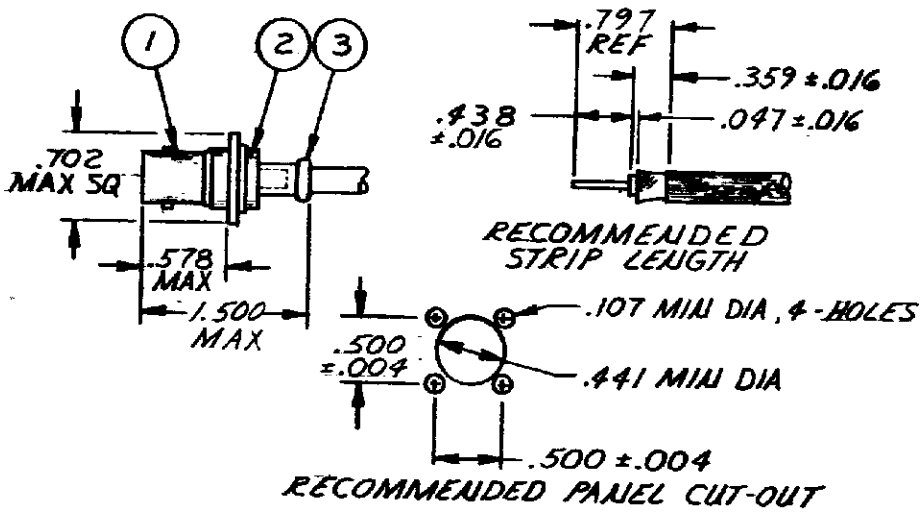
DRAWING MADE IN THIRD ANGLE PROJECTION

LOC **AJ** DIST **16**

REVISIONS			
REV	BY	DESCRIPTION	DATE
1	L	REDWAI-REV C82-513	4-21-83

THIS DRAWING IS UNPUBLISHED  
 RELEASED FOR PUBLICATION  
 BY AMP INCORPORATED, HARRISBURG, PA. ALL INTERNATIONAL RIGHTS  
 RESERVED. AMP PRODUCTS MAY BE COVERED BY U.S. AND FOREIGN PATENTS AND/OR PATENTS PENDING.  
 © COPYRIGHT 1969

1. FOR USE WITH: RG-141/U & 141A/U CABLE.
2. CRIMPING TOOL: 69376-1
3. SEE I.S. 1799-4.
4. WEIGHT: .53 OZ.



ITEM	QTY	DESCRIPTION	PART NO
3	1	FERRULE	330927
2	1	CRIMP END ASSY	1-330956-0
1	1	JACK ASSY, PANEL	331277

UNLESS OTHERWISE SPECIFIED DIMENSIONS ARE IN INCHES. TOLERANCES ON: DECIMALS ± .010 ANGLES ± .5°	CONTRACT NO DR <i>M. Smith</i> 9/14/83	<b>AMP</b>   AMP INCORPORATED Harrisburg, Pa. 17105	
	MATERIAL _____	CHKD <i>D. Heide</i> 9/14/83 APPD <i>W. Smith</i> 9/14/83 APPD <i>M. Smith</i> 9/14/83	NAME <b>CONNECTOR, COAXIAL, RF,          JACK, PANEL, SERIES BUC</b>
FINISH _____	DSGN APPD OTHER APPD	SIZE <b>A</b> SCALE <i>1/16" = 1"</i>	FSCM NO <b>00779</b> DRAWING NO <b>1-331280-1</b>
		SHEET _____	

AMP 1469-32 REV 2-81

**CUSTOMER DRAWING**