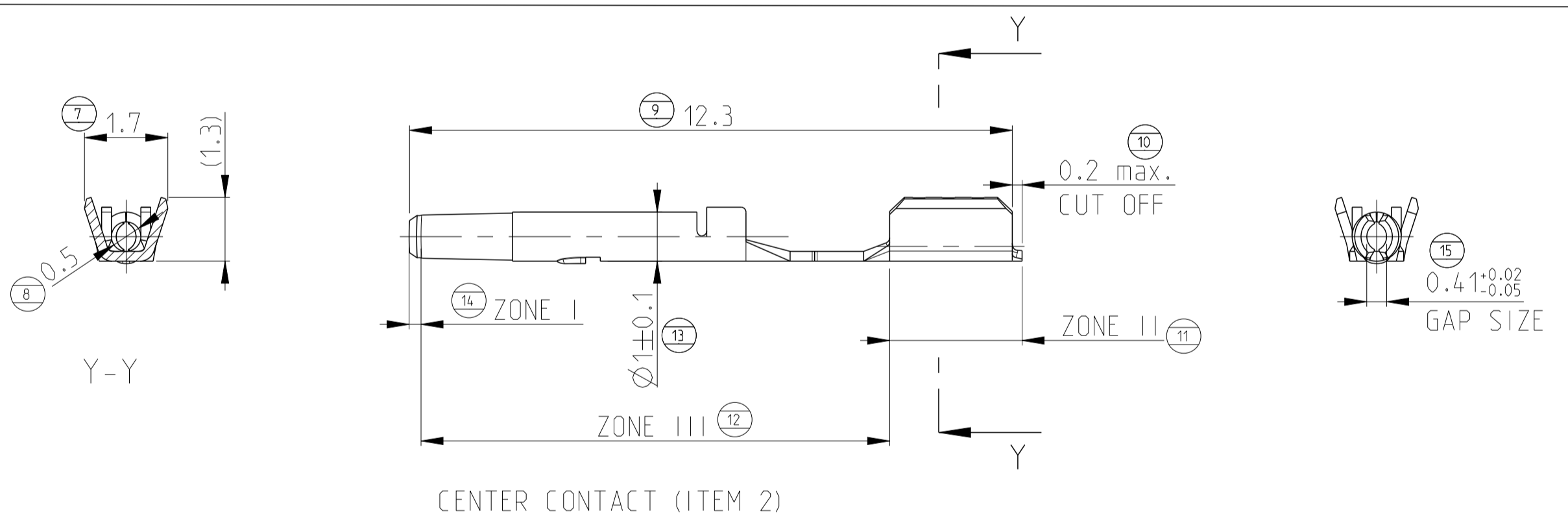


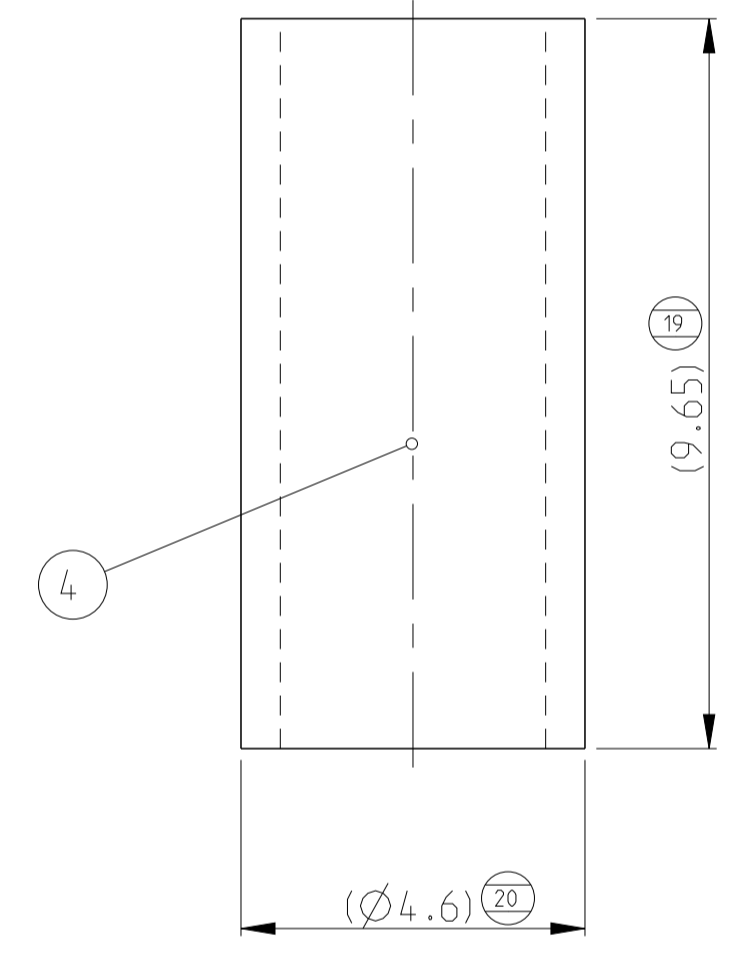
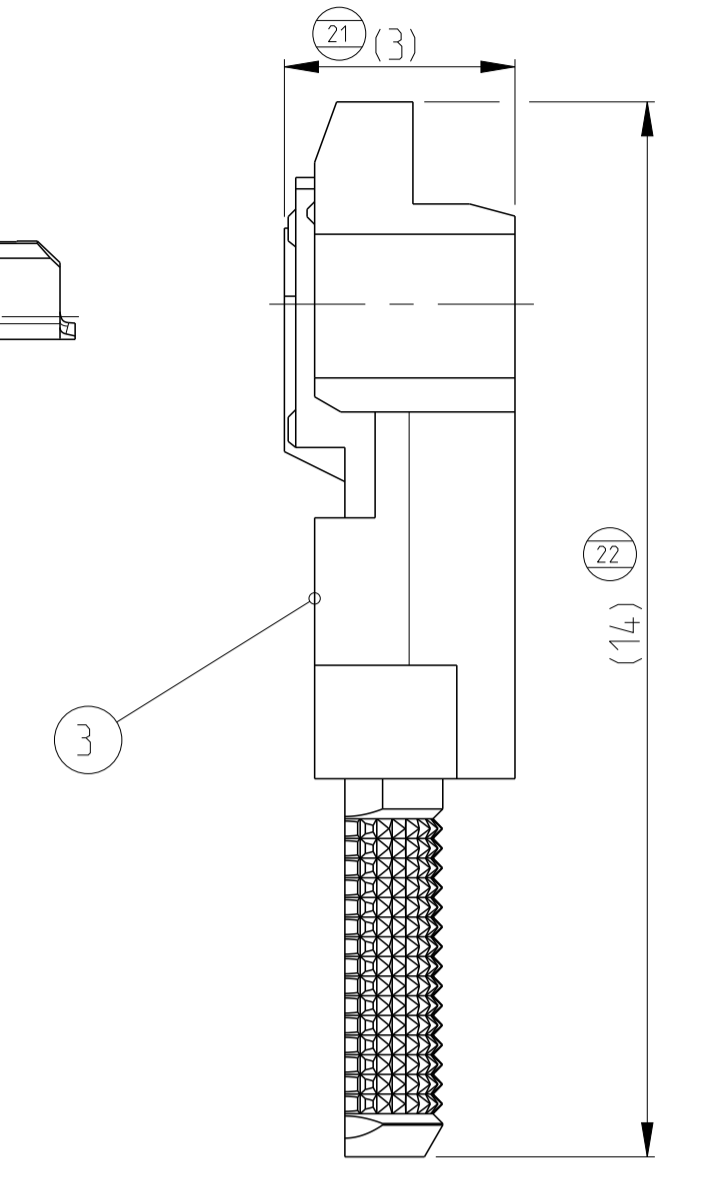
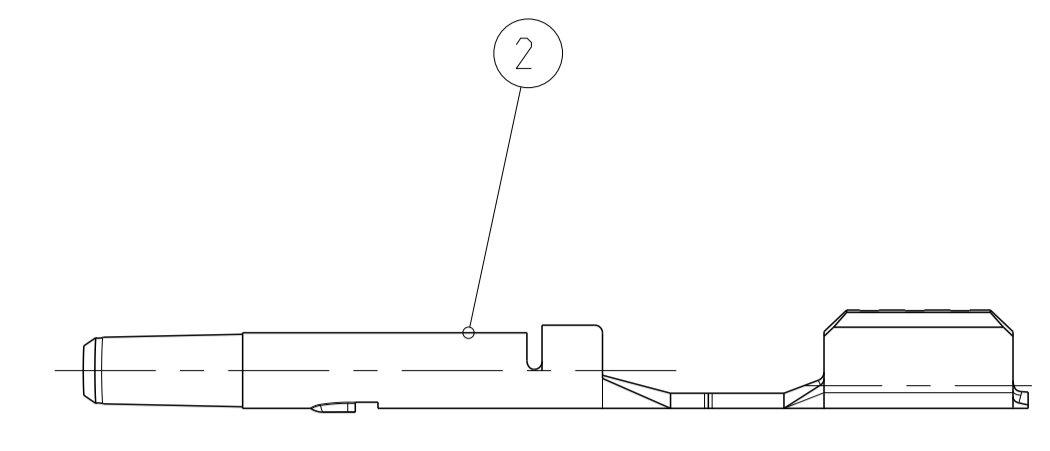
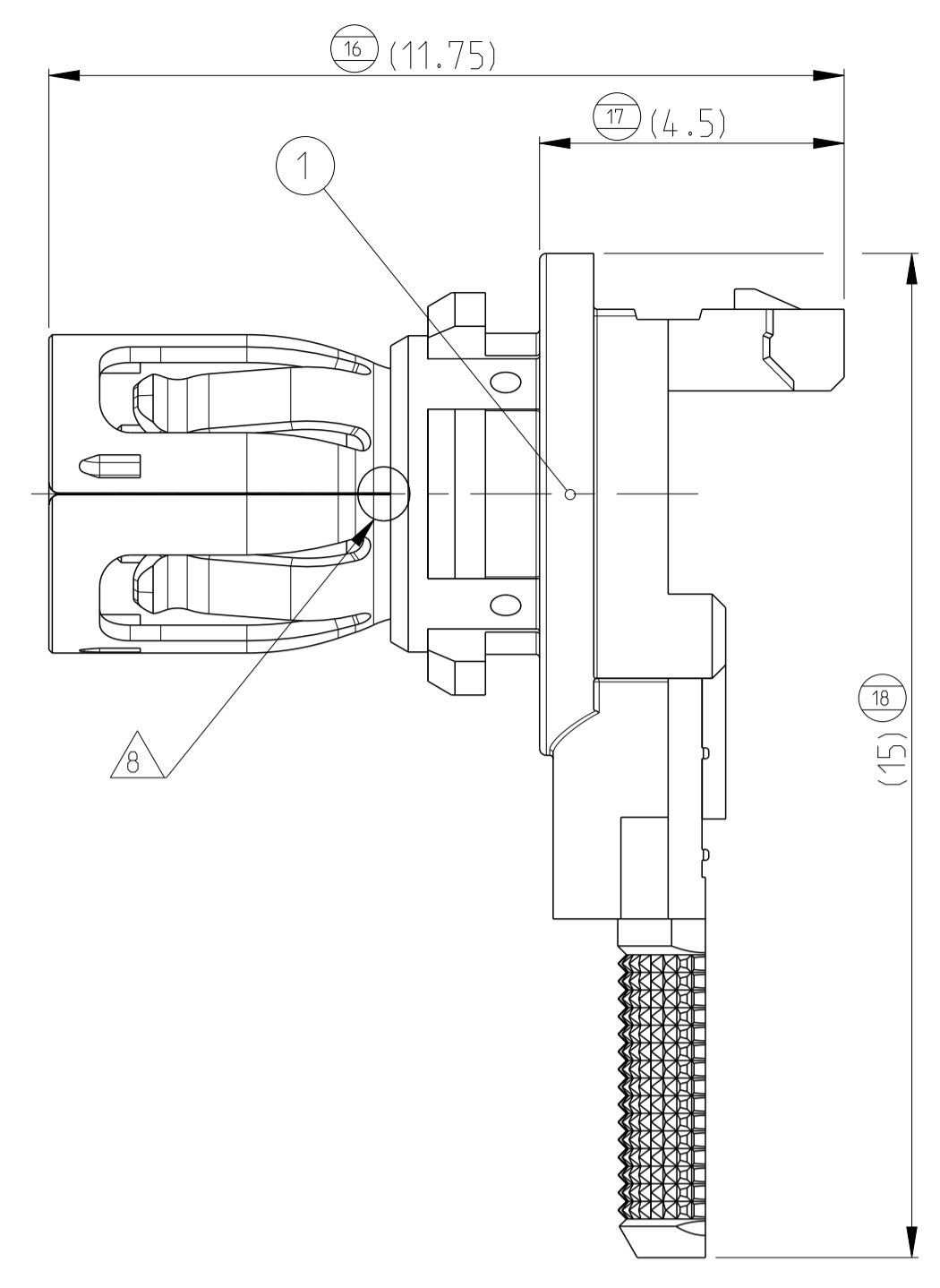
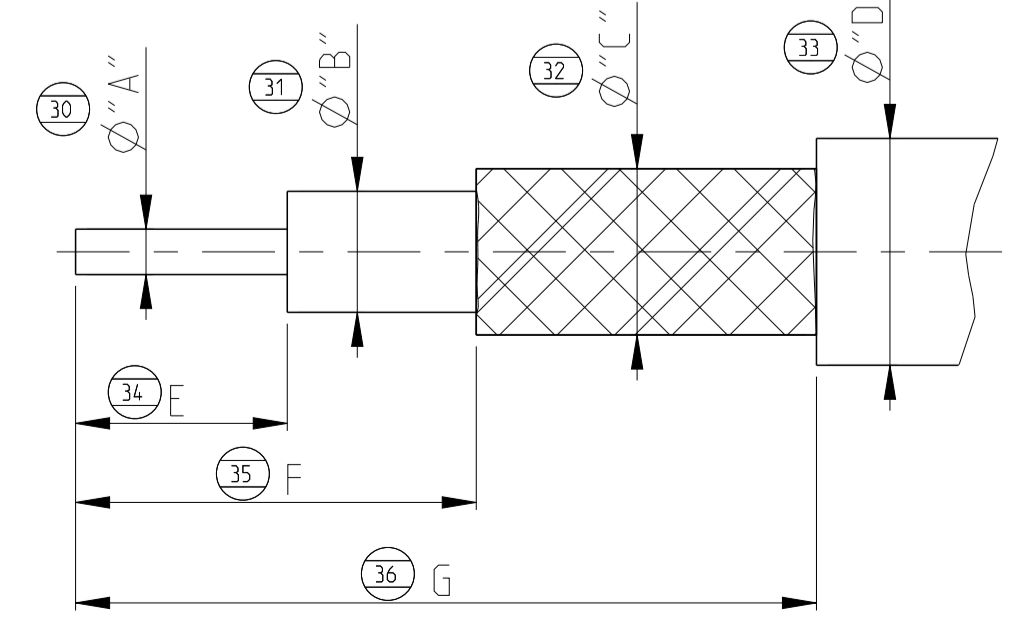
ASSEMBLED VIEWS



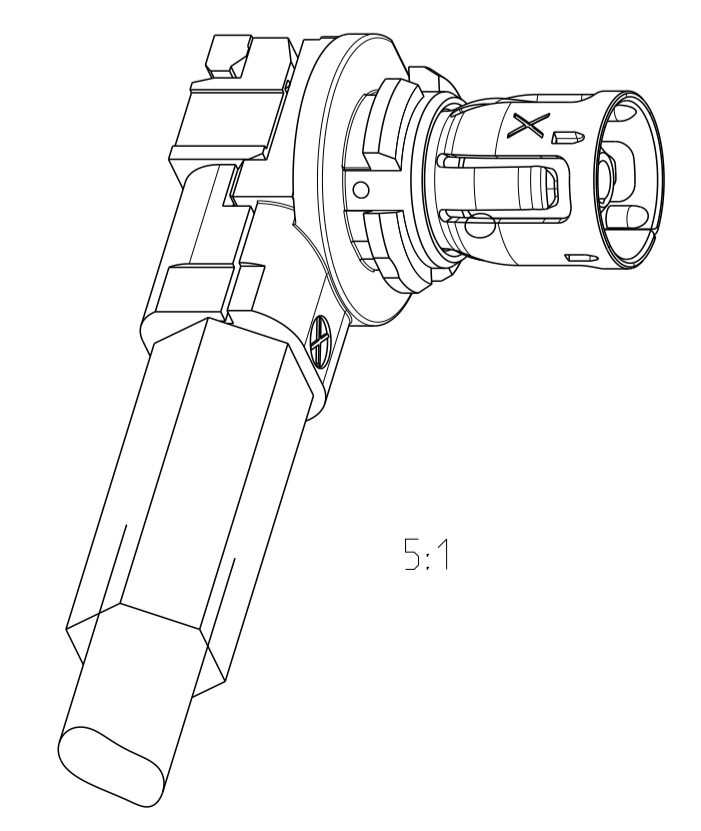
CENTER CONTACT (ITEM 2)

CABLE PARAMETERS				
CABLE TYPE	Ø "A"	Ø "B"	Ø "C"	Ø "D"
1.5DS (TE-P/N 1832844-1)	Ø0.6 nom.	Ø1.6 nom.	Ø2.2 nom.	Ø3.0 nom.
1.5DS (TE-P/N 2300568-1)				

RECOMMENDED STRIP DIMENSIONS		
CABLE TYPE	PN 2112466-1	PN 2112466-2
DIM. "E"	2.8 ^{+0.2} _{-0.3}	
DIM. "F"	5.3 ^{+0.2} _{-0.3}	4.0 ^{+0.2} _{-0.3}
DIM. "G"	9.8 ^{+0.2} _{-0.3}	



- A6
- 50 1 2-4 µm Ni
- 51 2 2-4 µm Sn OVER 1.27 µm MIN. Ni OVER 5.08 µm MIN. Cu
- 52 3 ZONE I: 0.8 µm MIN. Au OVER 1.27 µm MIN. Ni
ZONE II: 2-4 µm Sn OVER 0.1 µm MIN. Ni
ZONE III: 0.1µm MIN. Ni
- 53 4 PRETINNED (1-3 µm Sn)
- 54 5. THE CONNECTOR MUST FULFILL THE DIMENSIONAL REQUIREMENTS OF DIN 72594-1, RELEASED MARCH 2006. THE MECHANICAL AND ELECTRICAL REQUIREMENTS ACC. TO COMMERCIAL STANDARD IN SPECIFICATION 108-94089
- 55 6 COMPONENTS MUST BE PURCHASED SEPARATELY.
- 56 7 CRIMP TO BE MEASURED AT THIS POINT SEE APPLICATION SPECIFICATION.
- 57 8 WELDING POINT
- 58 9. CHARACTERS ON THE PARTS STAND FOR THE REVISION OF THAT COMPONENT. NOT OF THE SUBASSEMBLY OR ASSEMBLY.



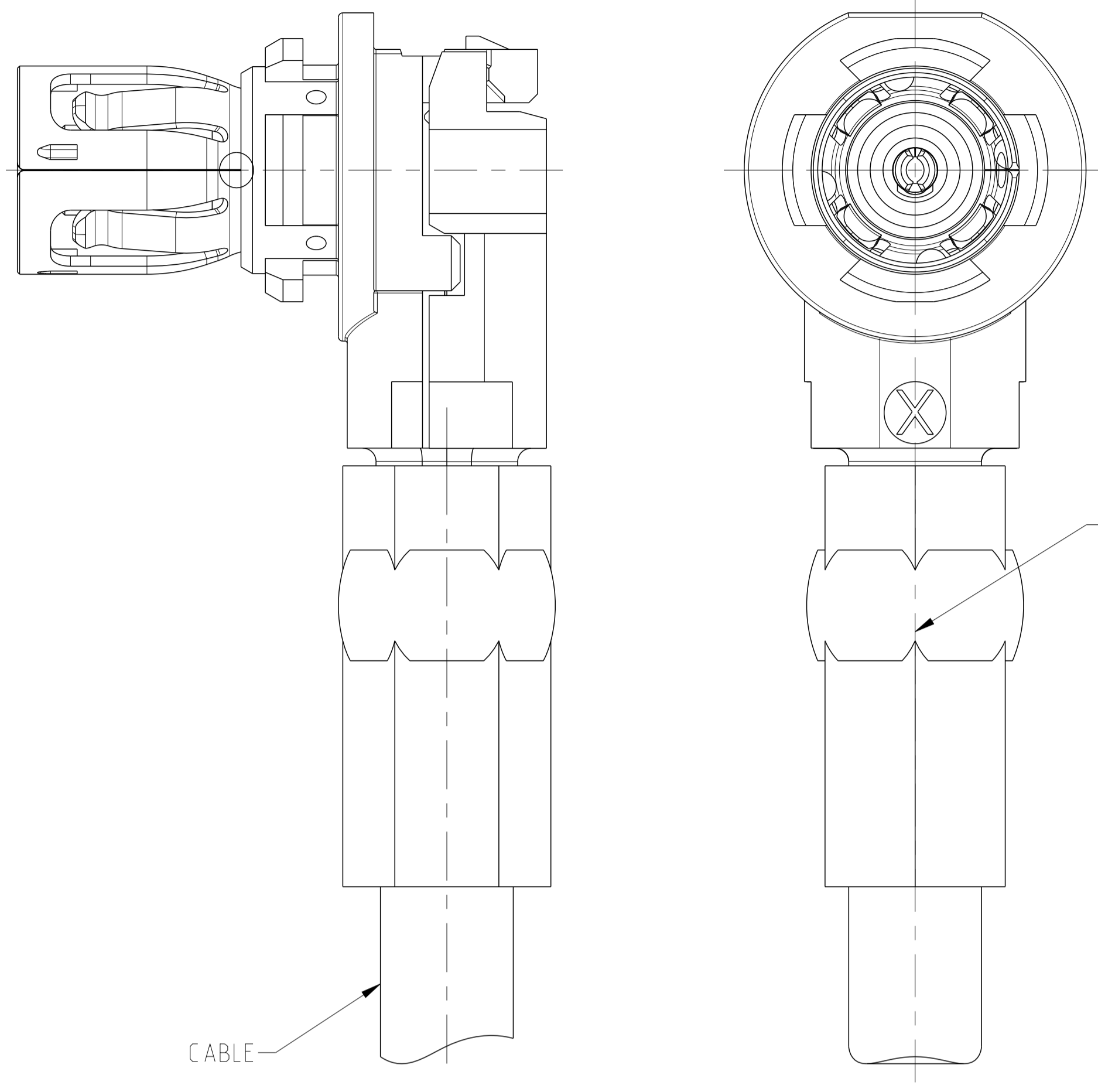
CONTACT KIT					
PART NUMBER	PART NO. TO BE ORDERED	ITEM NO	DESCRIPTION	MATERIAL	PLATING
2112466-1	1-0413889-4	4	FERRULE	SfCu	1
	1719658-1	3	REAR SHELL SUBASSY	3a. PBT 3b. Zn-Leg. Zn-ALLOY	2
	2112465-1	2	CENTER CONTACT	CuNiSi	3
	1719656-1	1	FRONT SHELL SUBASSY	1a. CuNiSi 1b. PEHD 1c. Zn-Leg. Zn-ALLOY	4

THIS DRAWING IS A CONTROLLED DOCUMENT. DIMENSIONS: mm. TOLERANCES UNLESS OTHERWISE SPECIFIED: 0 PLC ±0.5, 1 PLC ±0.2, 2 PLC ±0.1, 3 PLC ±, 4 PLC ±. ANGLES: °. FINISH: SEE TABLE. WEIGHT: -. CUSTOMER DRAWING.

OWN: V. Cech, 10NOV2009. CHK: T. Konecny, 12NOV2009. APVD: T. Konecny, 12NOV2009. NAME: HF FAKRA 90 DEG. TURNABLE VERSION Contact Kit, Plug, Unassembled 1.5DS CABLE. PRODUCT SPEC: 108-94089. APPLICATION SPEC: 114-18623. SIZE: A1. CAGE CODE: 00779. DRAWING NO: 2112466. RESTRICTED TO: A6. SCALE: 10:1. SHEET: 1 OF 2. REV: A6.

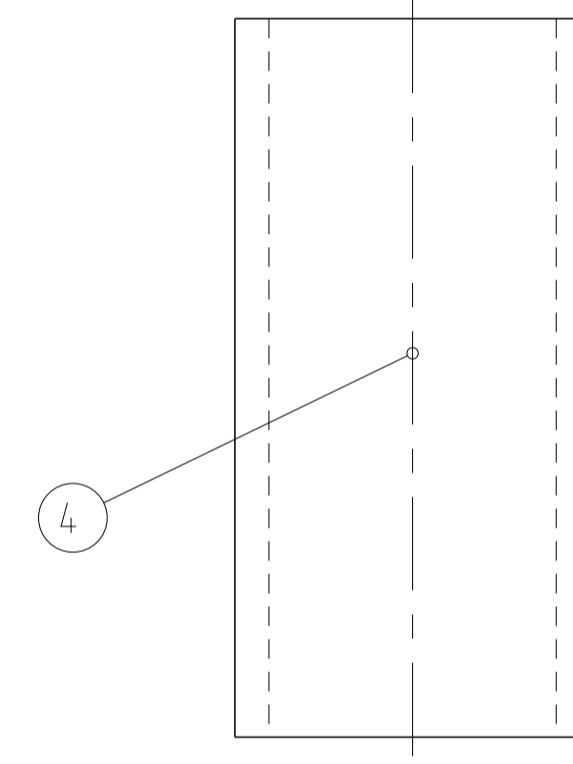
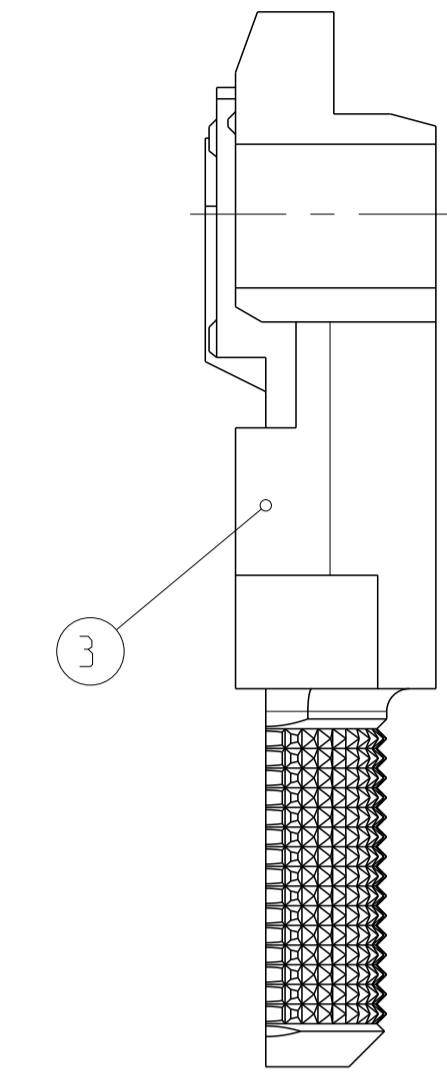
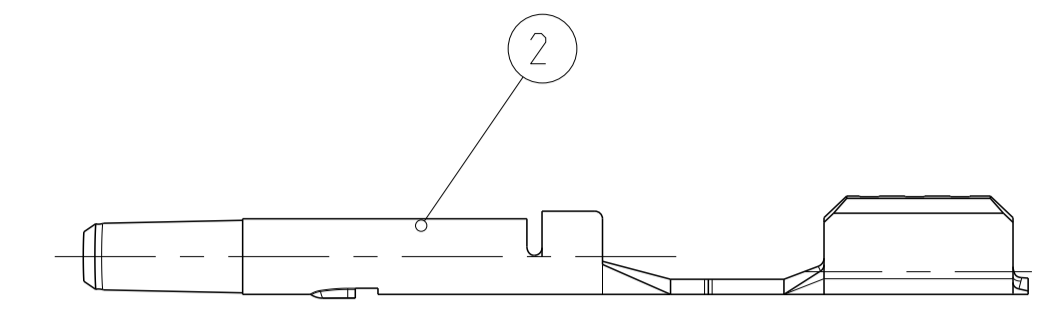
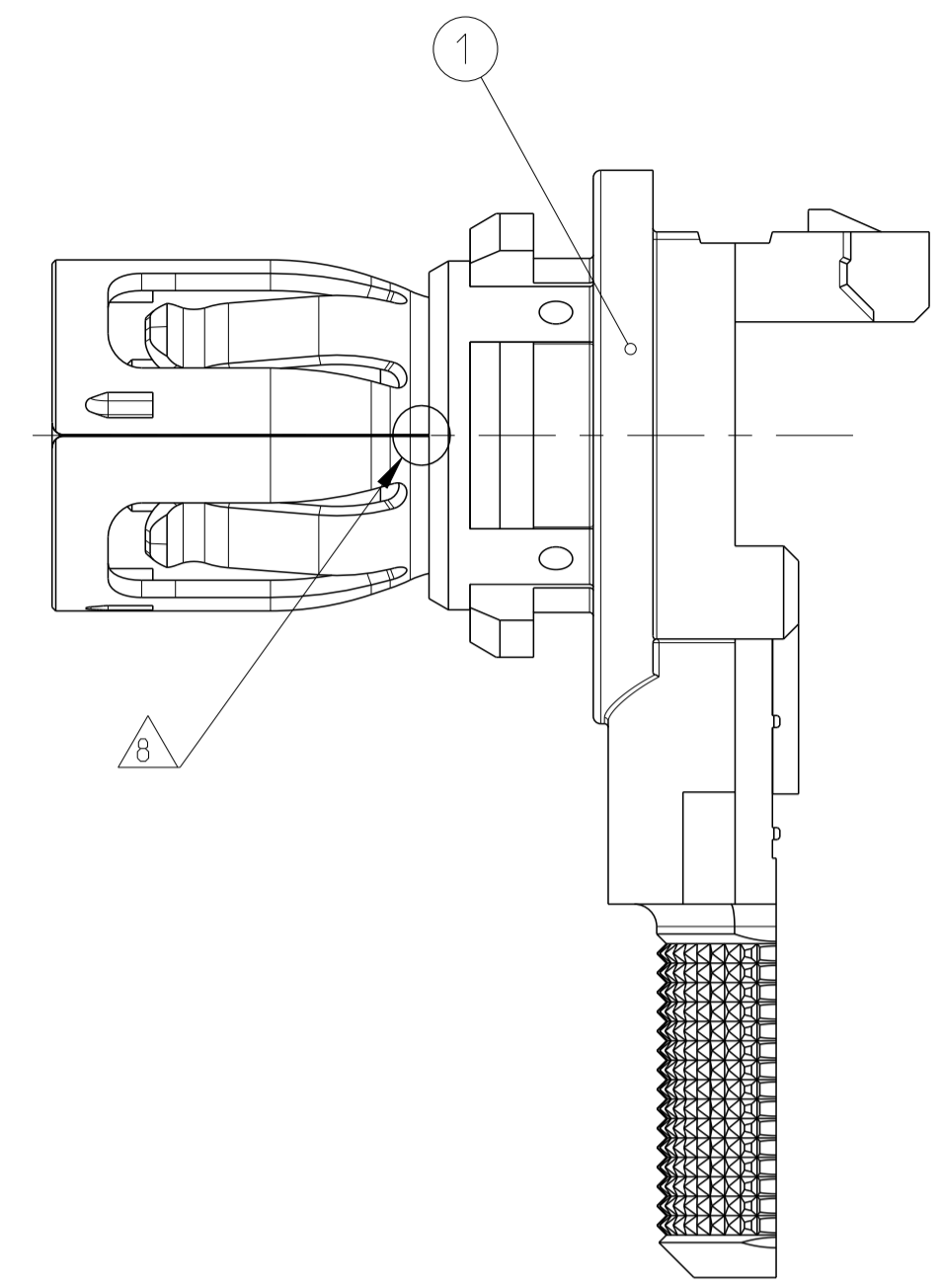
REVISIONS					
P.	LTN.	DESCRIPTION	DATE	DMN.	APVD.
-	-	SEE SHEET 1	-	-	-

-2 AS SHOWN

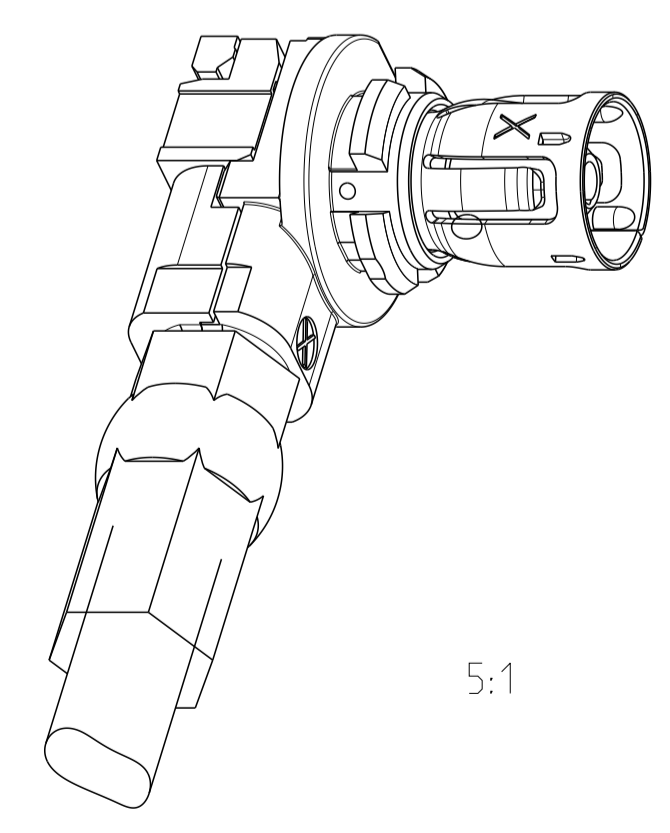


ASSEMBLED VIEWS
 (PLEASE REFER -1 VARIANT FOR NOTES AND DIMENSIONS)

HEX 4.1 Nom. 81 A6
 SEE APPLICATION SPECIFICATION



(PLEASE REFER 2112466-1 FOR NOTES AND DIMENSIONS)



5:1

A6

CONTACT KIT PART NUMBER	PART NO. TO BE ORDERED	ITEM NO	DESCRIPTION	MATERIAL	PLATING
2112466-2	1488167-1	4	FERRULE	SfCu	1
	1719658-2	3	REAR SHELL SUBASSY	3a. PBT 3b. Zn-Leg. Zn-ALLOY	2
	2112465-1	2	CENTER CONTACT	CuNiSi	3
	1719656-2	1	FRONT SHELL SUBASSY	1a. CuNiSi 1b. PEHD 1c. Zn-Leg. Zn-ALLOY	4 2

THIS DRAWING IS A CONTROLLED DOCUMENT.		DMN: V. Cech 10NOV2009	TE TE Connectivity
DIMENSIONS: mm		CHK: T. Konecny 12NOV2009	
TOLERANCES UNLESS OTHERWISE SPECIFIED:		APVD: T. Konecny 12NOV2009	NAME: HF FAKRA 90 DEG. TURNABLE VERSION Contact Kit, Plug, Unassembled 1.5DS CABLE
0 PLC ±0.5 1 PLC ±0.2 2 PLC ±0.1 3 PLC ± 4 PLC ±		PRODUCT SPEC: 108-94.089	
MATERIAL: SEE TABLE siehe Tabelle		FINISH: SEE TABLE siehe Tabelle	APPLICATION SPEC: 114-18623
CUSTOMER DRAWING		SIZE: A1	RESTRICTED TO: A6
SCALE: 10:1		CAGE CODE: 00779	DRAWING NO: 2112466
SHEET 2 OF 2		REV: A6	