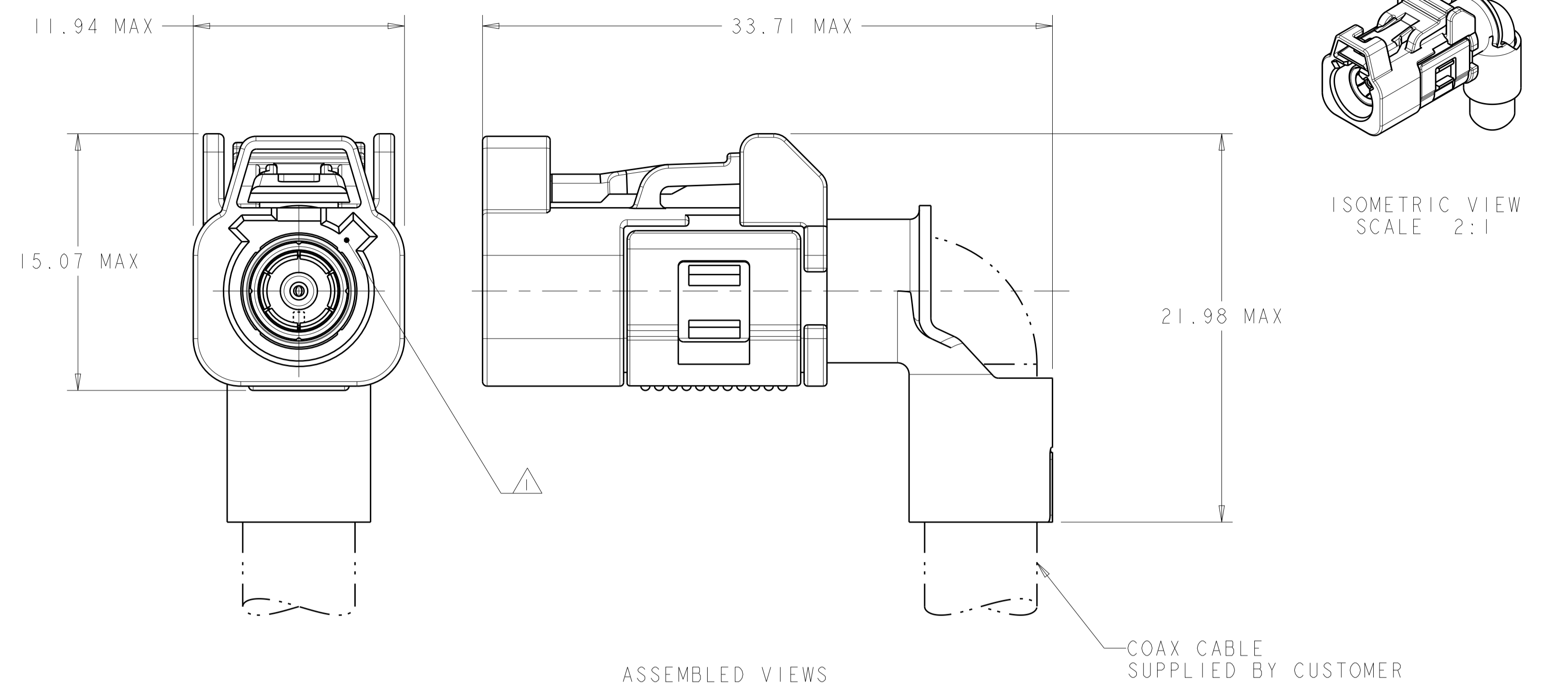
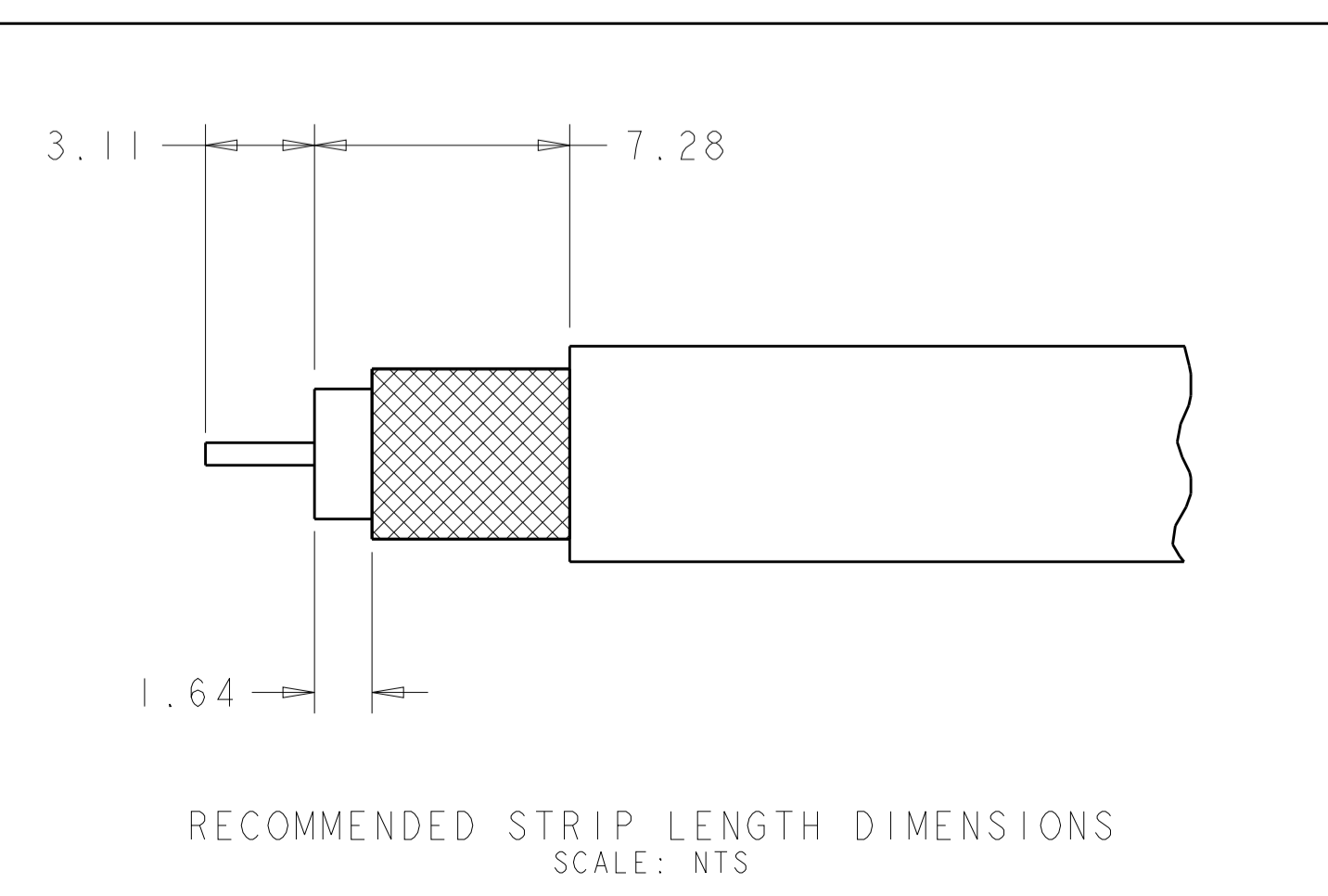
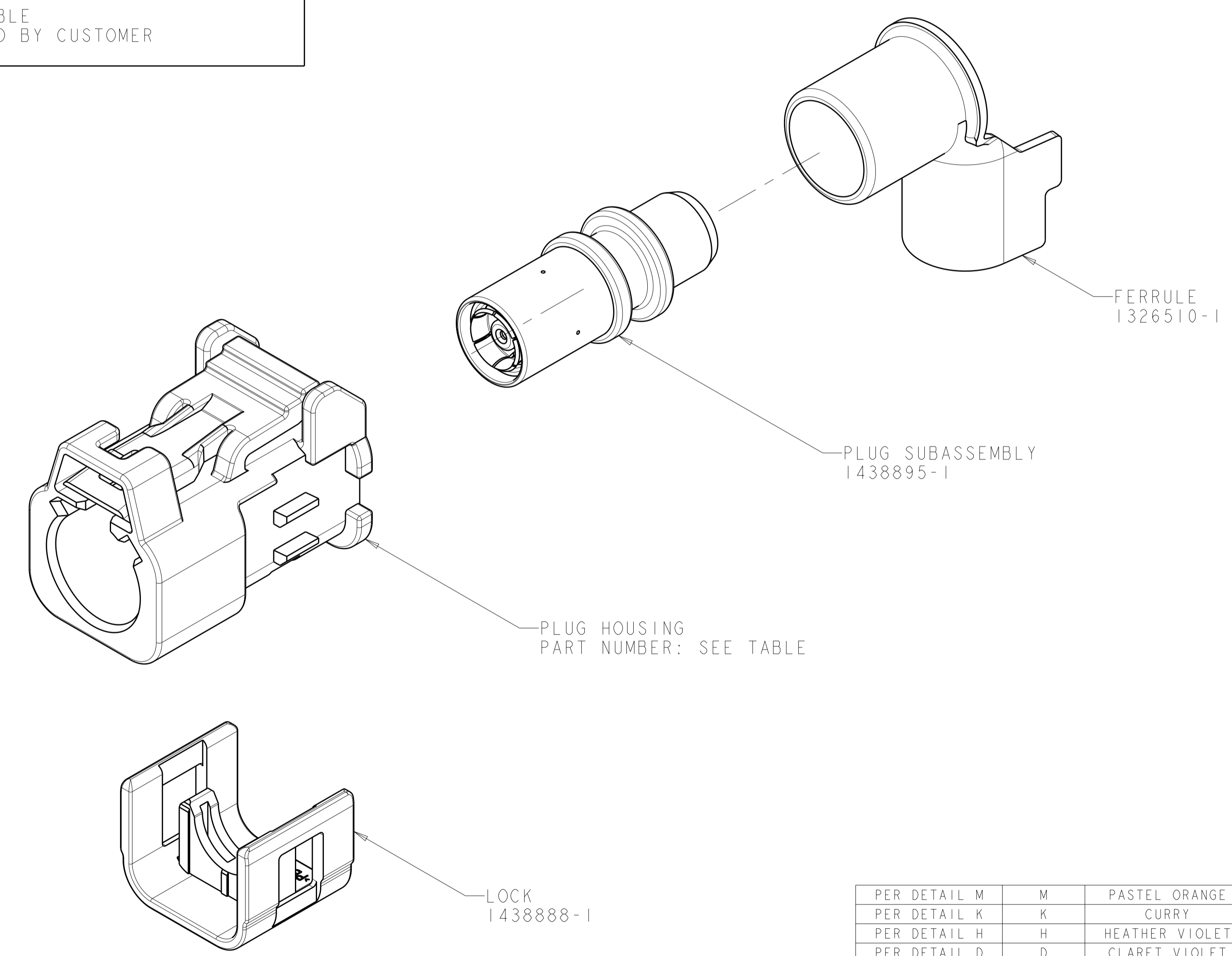


LOC		DIST		REVISIONS			
P	LTN	DESCRIPTION	DATE	DWN	APVD		
B1		ECO-13-012147	29AUG2013	KP	LV		



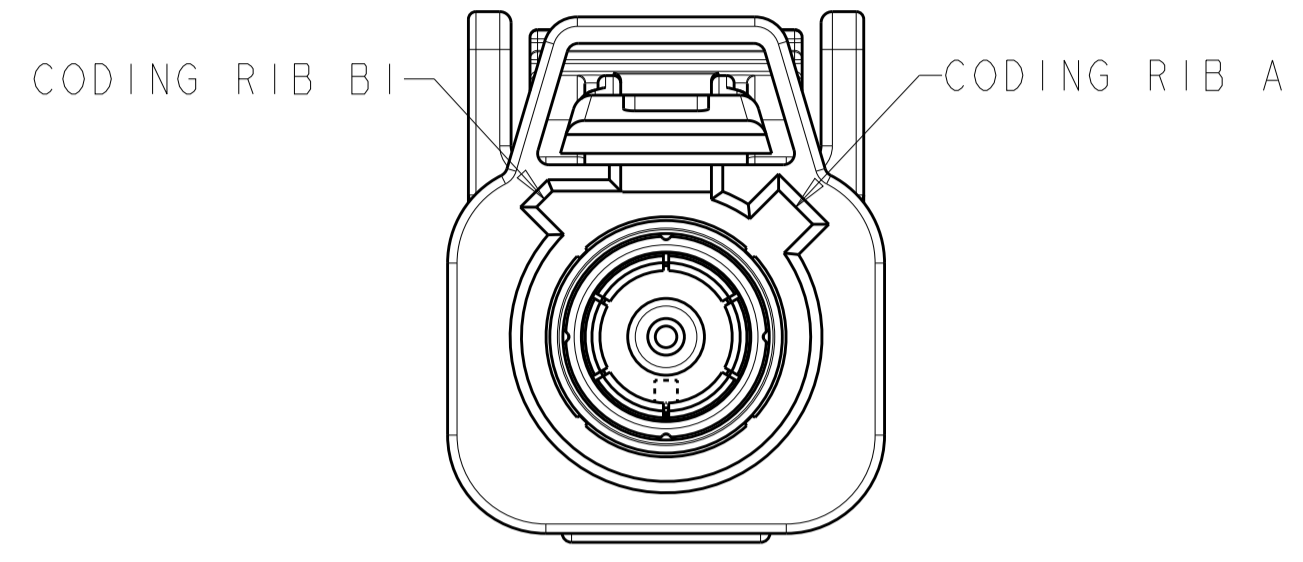
- 1. PLUG ACCEPTS JACKS MEETING DIN 72594-1, ROAD VEHICLES - RADIO FREQUENCY INTERFACE - DIMENSIONS AND ELECTRICAL REQUIREMENTS.
- 2. PLUG SUBASSEMBLY WILL ACCEPT RG-59 COAXIAL CABLE.
- 3. SEE INSTRUCTION SHEET 408-10028.
- 4. SOCKET CONTACT 1438896-4 MUST BE PURCHASED SEPERATELY.



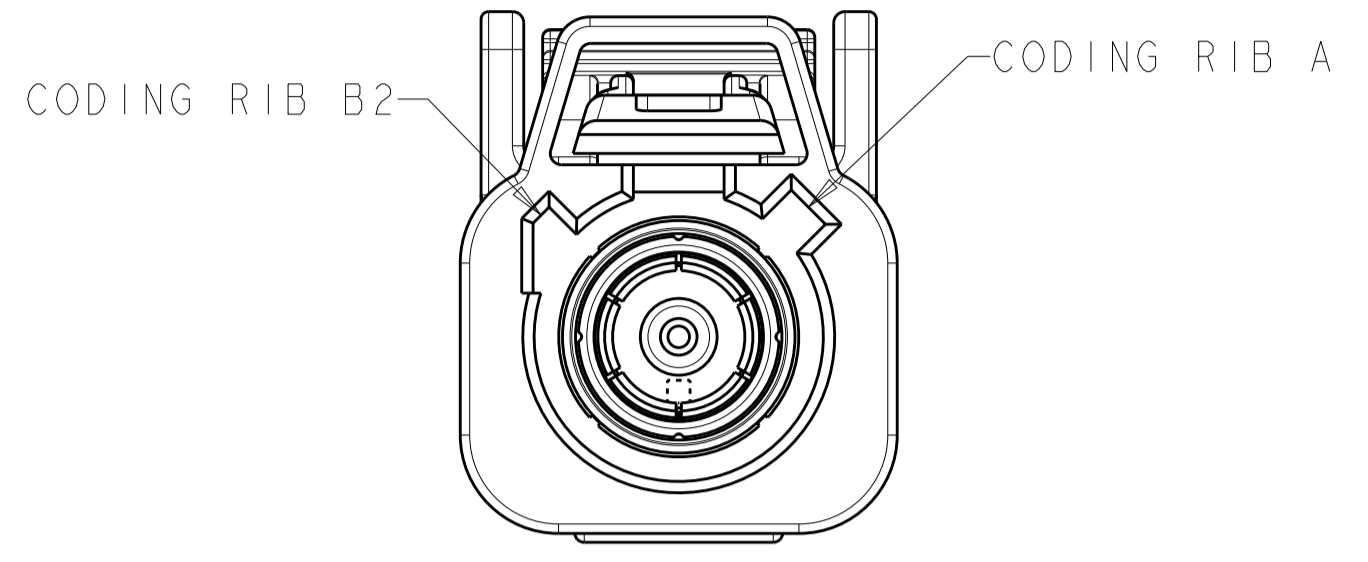
PER DETAIL M	M	PASTEL ORANGE	1-1438893-2	1-776683-2
PER DETAIL K	K	CURRY	1-1438893-0	1-776683-0
PER DETAIL H	H	HEATHER VIOLET	1438893-8	776683-8
PER DETAIL D	D	CLARET VIOLET	1438893-4	776683-4
PER DETAIL C	C	SIGNAL BLUE	1438893-3	776683-3
PER DETAIL B	B	SIGNAL WHITE	1438893-2	776683-2
PER DETAIL A	A	JET BLACK	1438893-1	776683-1
KEYING	KEY CODING	HOUSING COLOR	PLUG HOUSING PART NUMBER	PART NUMBER

THIS DRAWING IS A CONTROLLED DOCUMENT.		DWN	D. J. HARDY	05JUN2005	TE Connectivity
DIMENSIONS:		CHK	J. W. HALL	25AUG2005	
TOLERANCES UNLESS OTHERWISE SPECIFIED:		APVD	J. W. HALL	25AUG2005	NAME
mm	0 PLC ±	PRODUCT SPEC		PLUG KIT, UNASSEMBLED, 1 POSITION, RG-59, 90 DEGREE, FAKRA, SMB	
	1 PLC ±0.25	APPLICATION SPEC			
	3 PLC ±	SIZE	114-13157	CAGE CODE	DRAWING NO
	4 PLC ±	WEIGHT		A100779	776683
	ANGLES ±	CUSTOMER DRAWING		SCALE	4:1
MATERIAL	FINISH	RESTRICTED TO		SHEET	1
				OF	2
				REV	B1

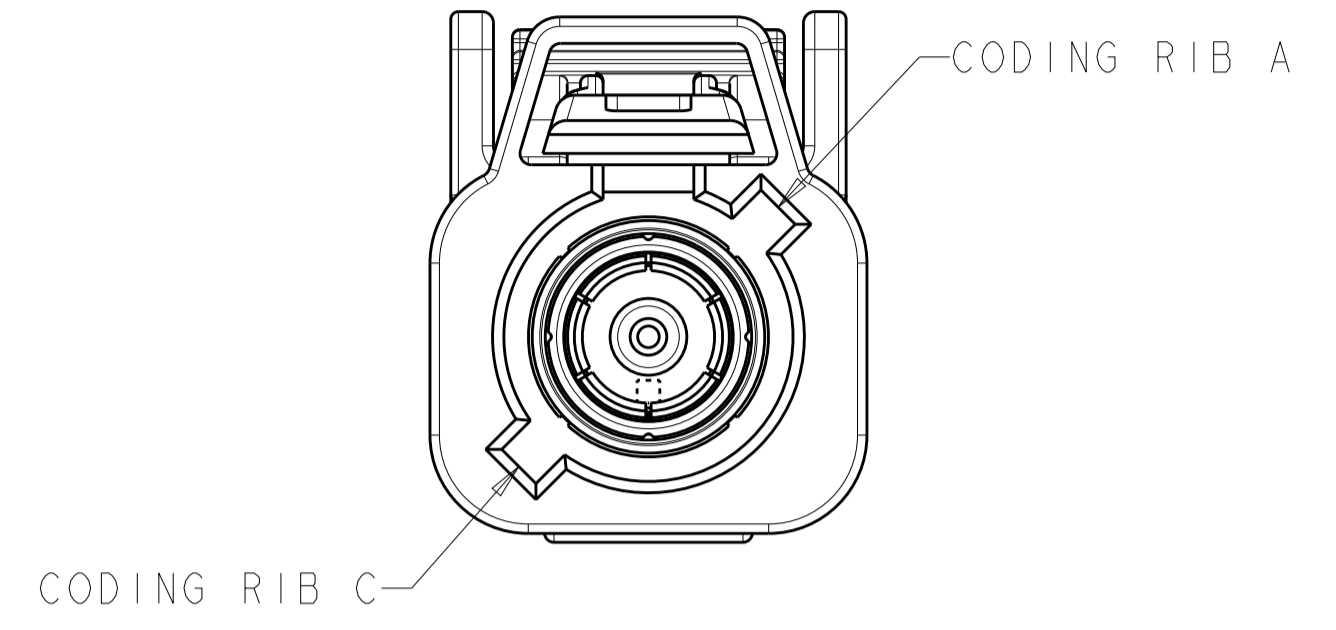
LOC		DIST		REVISIONS				
P	LTN	DATE	DMN	APVD	DESCRIPTION	DATE	DMN	APVD
-	-	-	-	-	SEE SHEET 1	-	-	-



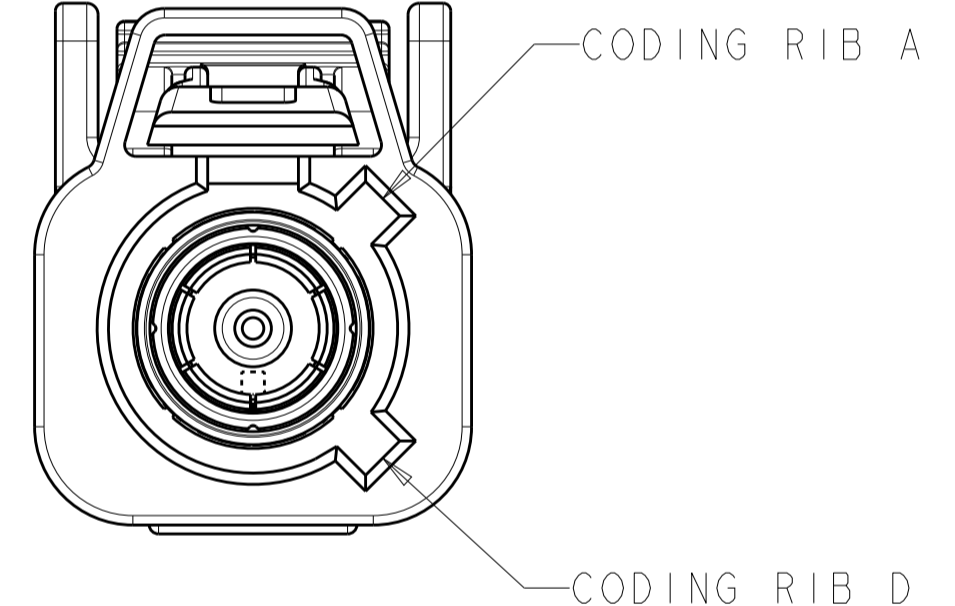
DETAIL A



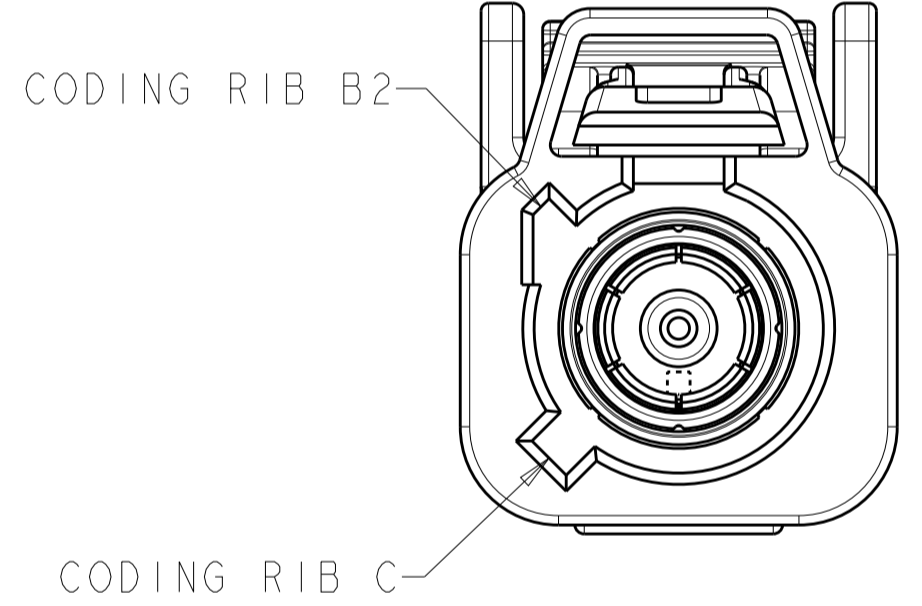
DETAIL B



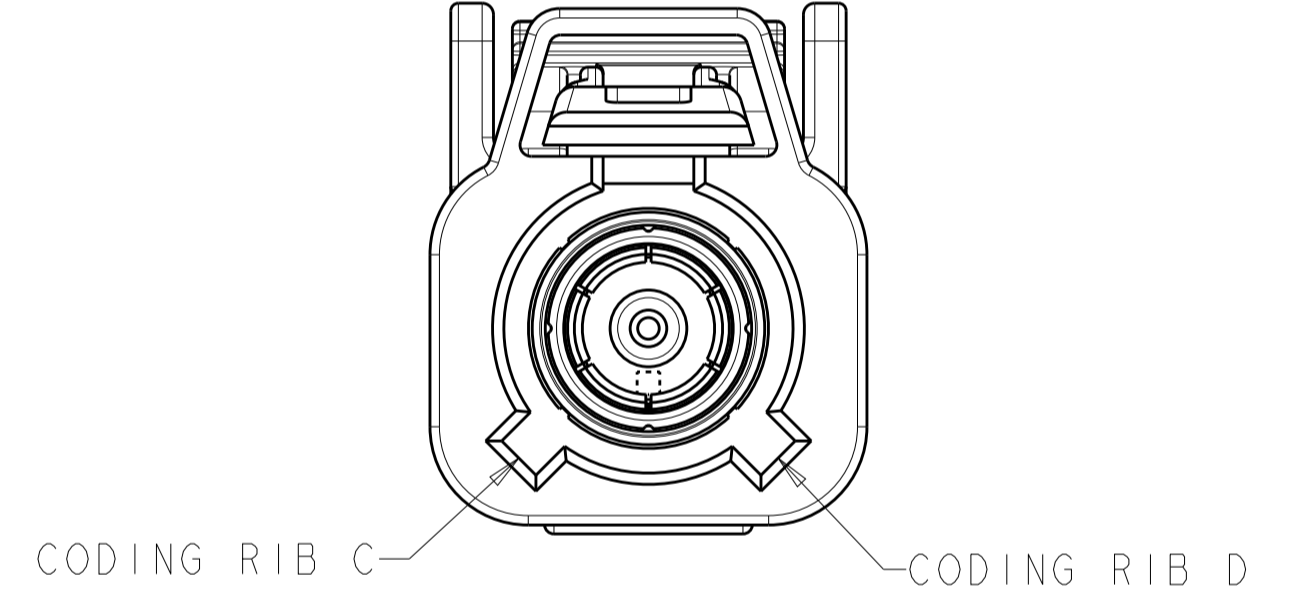
DETAIL C



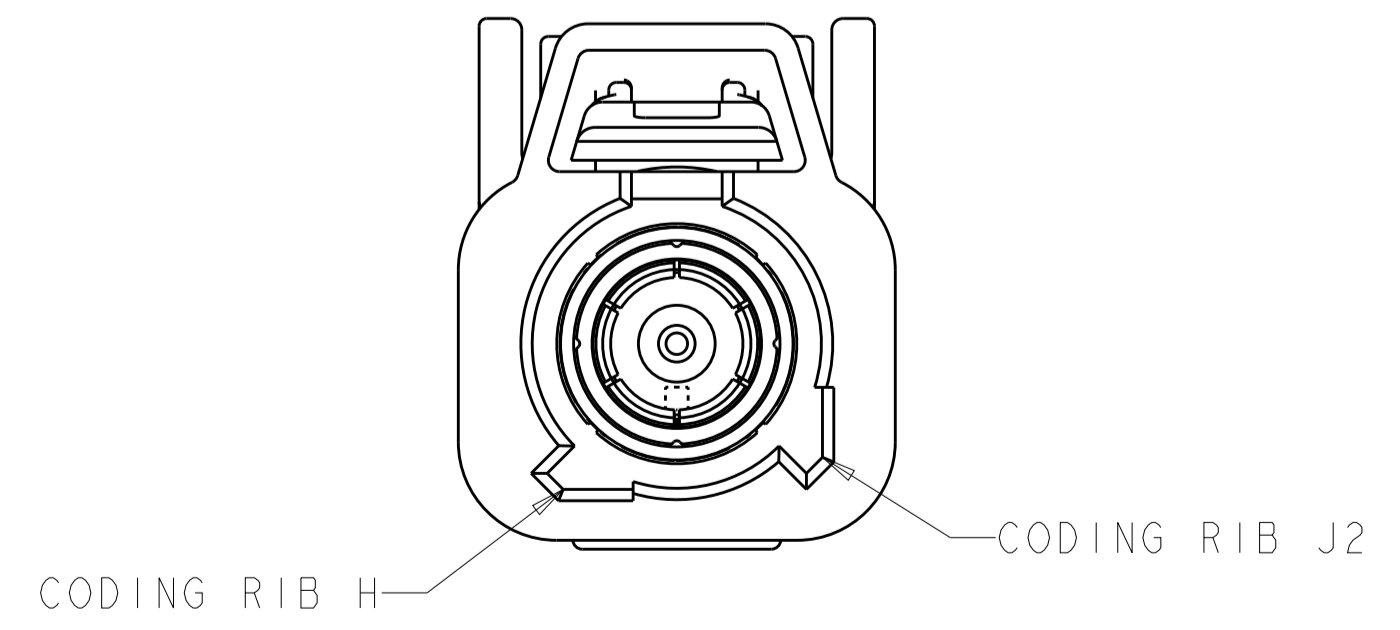
DETAIL D



DETAIL H



DETAIL K



DETAIL M

THIS DRAWING IS A CONTROLLED DOCUMENT.		DMN D. J. HARDY 05JUN2005	TE Connectivity
DIMENSIONS:		CHK J. W. HALL 25AUG2005	
mm	TOLERANCES UNLESS OTHERWISE SPECIFIED:	APVD J. W. HALL 25AUG2005	NAME PLUG KIT, UNASSEMBLED, 1 POSITION, RG-59, 90 DEGREE, FAKRA, SMB
0 PLC ±	1 PLC ±	PRODUCT SPEC	APPLICATION SPEC
2 PLC ±0.25	3 PLC ±	114-13157	114-13157
4 PLC ±	ANGLES ±	WEIGHT	WEIGHT
MATERIAL	FINISH	CUSTOMER DRAWING	SCALE 5:1 SHEET 2 OF 2 REV B1