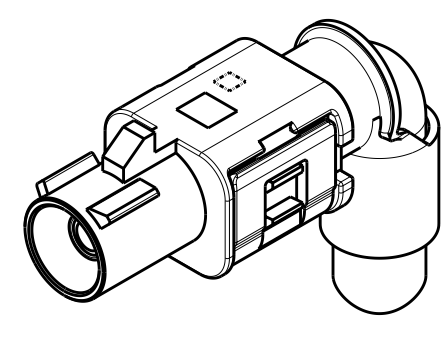
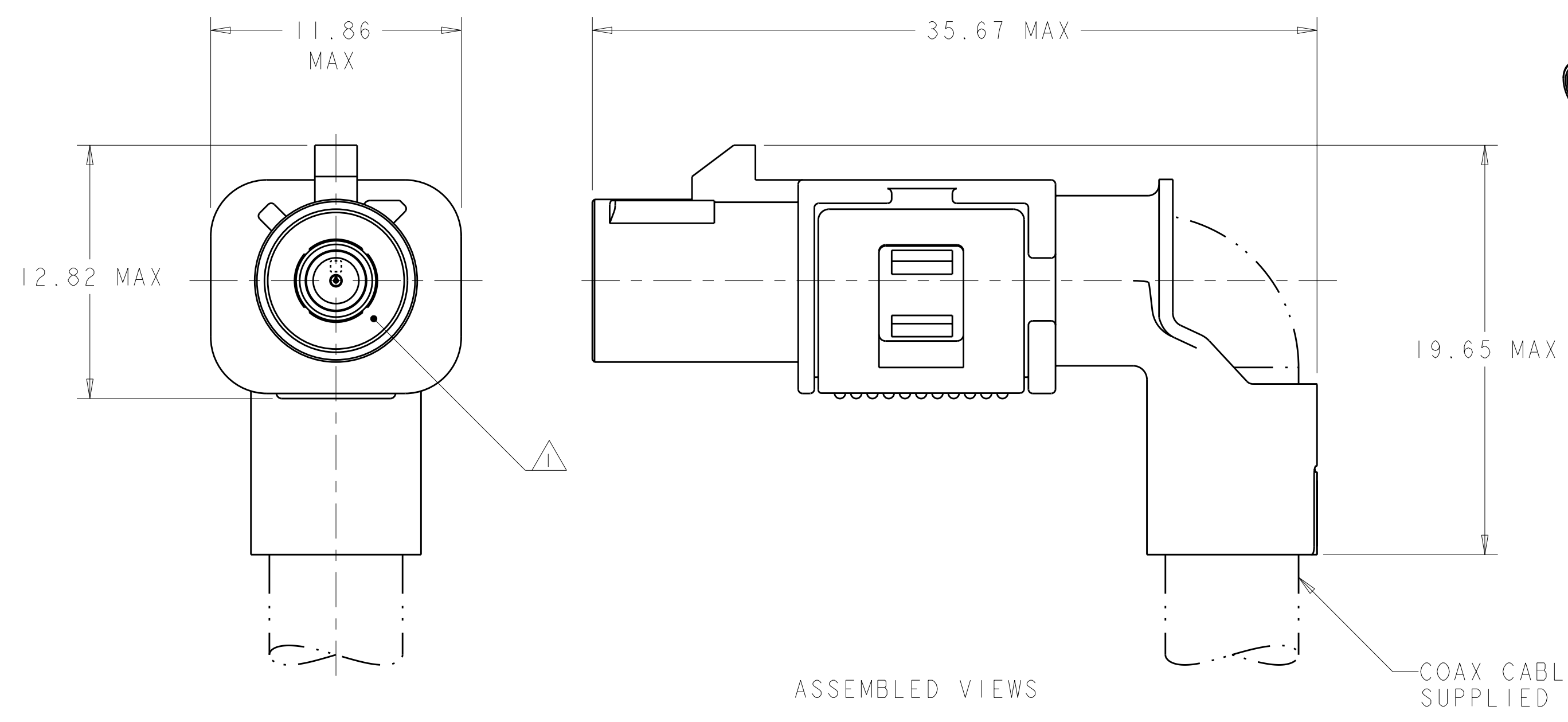
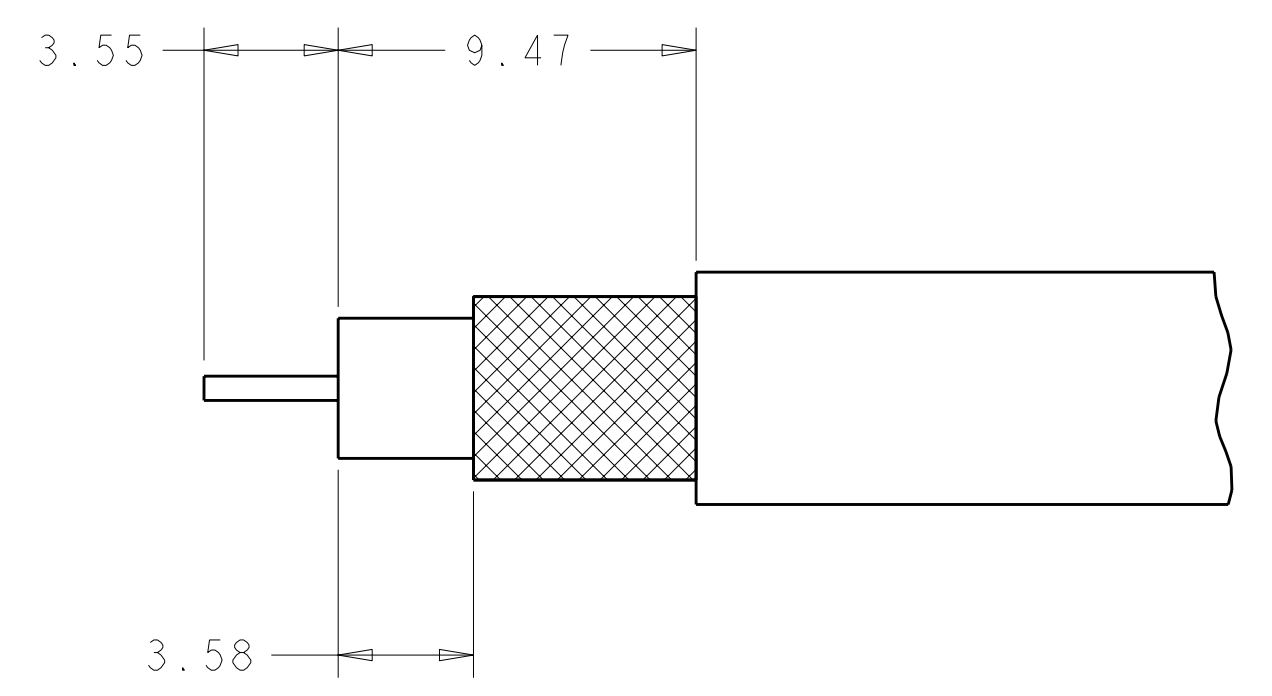
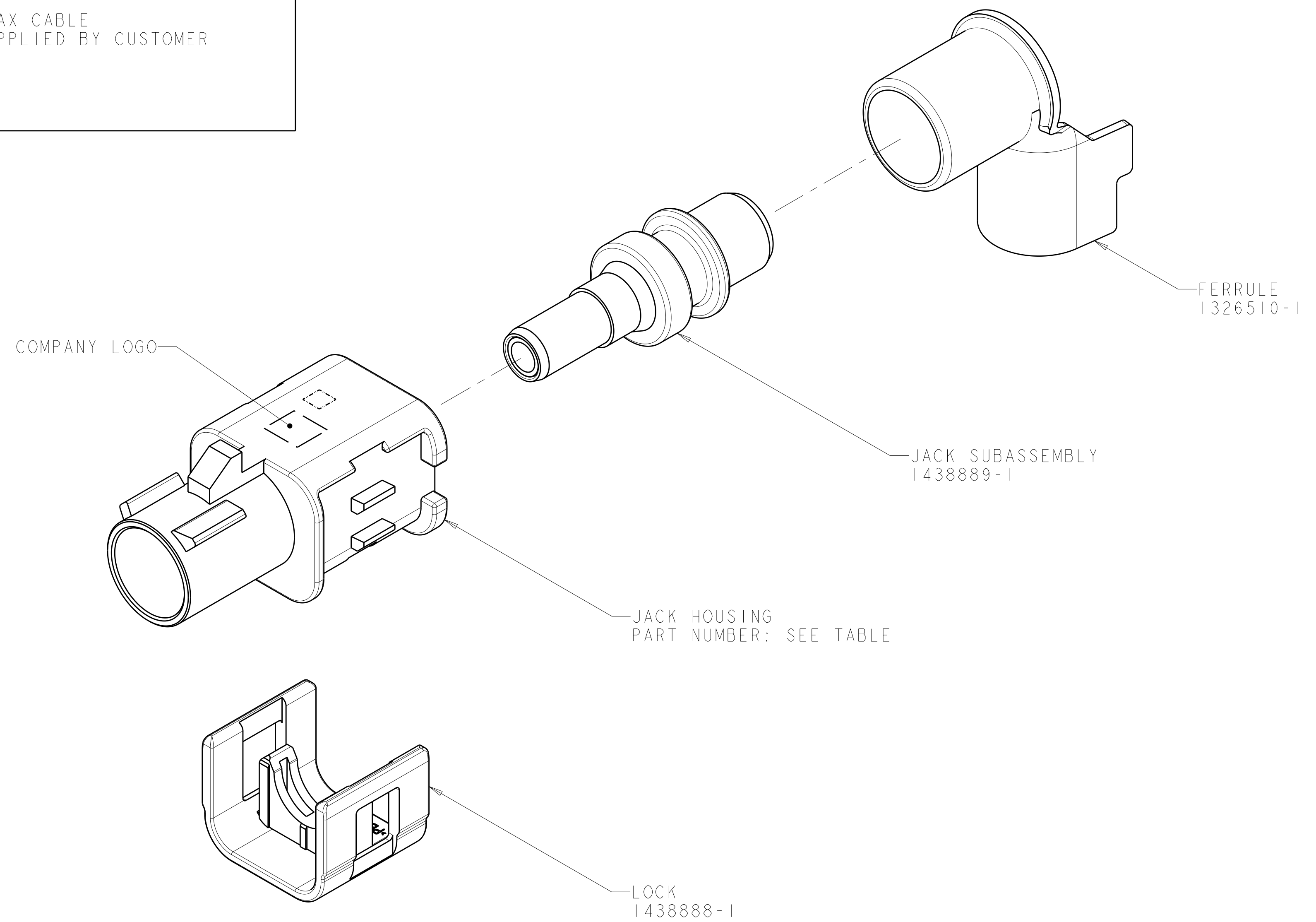


LOC	DIST	REV	DATE	BY	APPD
IN	00				
REVISIONS					
REV	DATE	BY	APPD	DESCRIPTION	
A	29JUL2005	DJH	JMR	INITIAL RELEASE	
B	05DEC2005	DJH	JMR	REVISED PER ECO-05-015405	
C	13MAR2006	DJH	JMR	REVISED PER ECO-06-002101	
C1	30JUN2010	DLD	LLV	REVISED PER ECO-10-013737	



ISOMETRIC VIEW
SCALE 2:1

- ⚠ JACK INTERFACE PER DIN 72594-1, ROAD VEHICLES - RADIO FREQUENCY INTERFACE - DIMENSIONS AND ELECTRICAL REQUIREMENTS.
- JACK SUBASSEMBLY WILL ACCEPT RG-62 COAXIAL CABLE.
 - SEE INSTRUCTION SHEET 408-10028.
 - SPACER 1274233-2 MUST BE PURCHASED SEPARATELY.
 - PIN CONTACT 1438890-4 MUST BE PURCHASED SEPARATELY.



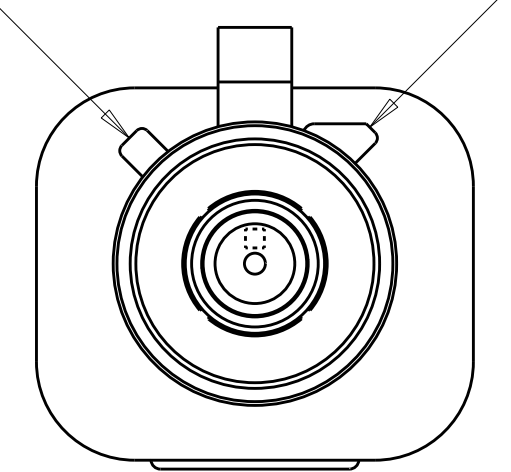
PER DETAIL	KEYING	CODING	HOUSING COLOR	JACK HOUSING PART NUMBER	PART NUMBER
PER DETAIL K	K	CURRY		1-1438887-0	1-776797-0
PER DETAIL H	H	HEATHER VIOLET		1438887-8	776797-8
PER DETAIL D	D	CLARET VIOLET		1438887-4	776797-4
PER DETAIL C	C	SIGNAL BLUE		1438887-3	776797-3
PER DETAIL B	B	SIGNAL WHITE		1438887-2	776797-2
PER DETAIL A	A	JET BLACK		1438887-1	776797-1

DIMENSIONS: mm 		TOLERANCES UNLESS OTHERWISE SPECIFIED: 9 PLC ± 1 PLC ±0.25 5 PLC ± 4 PLC ± ANGLES ± FINISH		DWN: D.J. HARDY 27JUL2005 CHK: J.W. HALL 27JUL2005 APVD: J.W. HALL 27JUL2005 PRODUCT SPEC APPLICATION SPEC 114-13157 WEIGHT CUSTOMER DRAWING		Tyco Electronics Harrisburg, PA 17105-3608 NAME: JACK KIT, UNASSEMBLED, 1 POSITION, RG-62, 90 DEGREE, FAKRA, SMB SIZE: 00779 CAGE CODE: 776797 SCALE: 5:1 SHEET 1 OF 2 REV: C1	
-----------------------	--	--	--	---	--	---	--

THIS DRAWING IS UNPUBLISHED. RELEASED FOR PUBLICATION 20
 © COPYRIGHT 20 BY TYCO ELECTRONICS CORPORATION. ALL RIGHTS RESERVED.

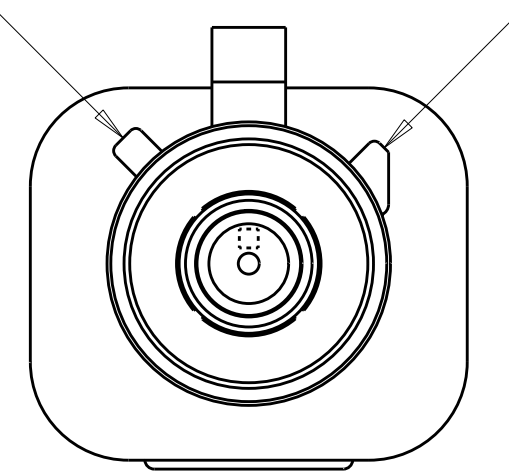
LOC		DIST		REVISIONS			
P	LTB	DESCRIPTION	DATE	DWN	APVD		
-	-	SEE SHEET 1	-	-	-		

CODING RIB A CODING RIB B1



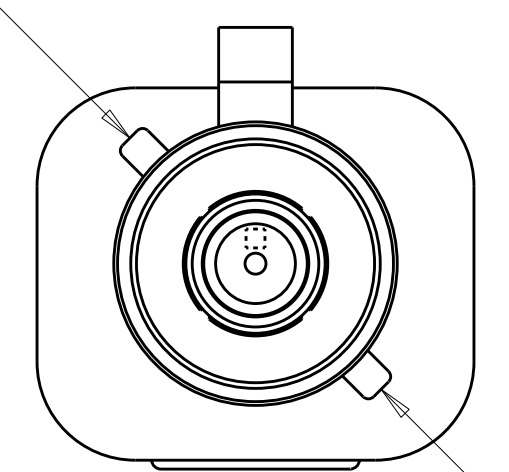
DETAIL A

CODING RIB A CODING RIB B2



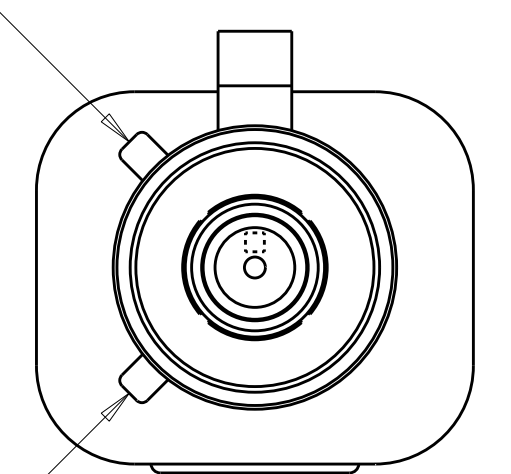
DETAIL B

CODING RIB A CODING RIB C



DETAIL C

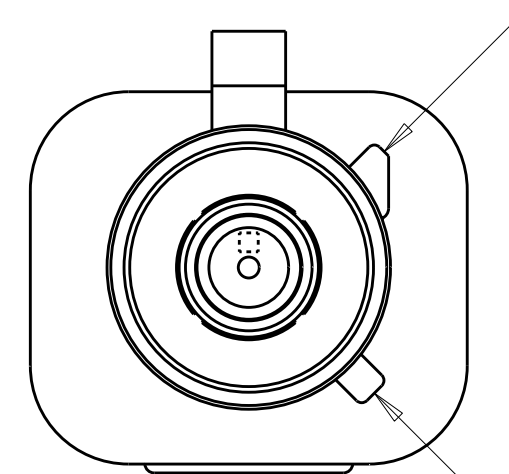
CODING RIB A



DETAIL D

CODING RIB D

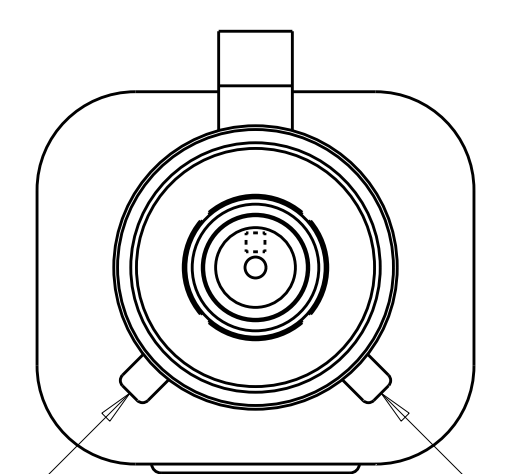
CODING RIB B2



DETAIL H

CODING RIB C

CODING RIB D



DETAIL K

CODING RIB C

<small>THIS DRAWING IS UNPUBLISHED. RELEASED FOR PUBLICATION 20. THIS IS SUBJECT TO CHANGE WITHOUT NOTICE AND WITHOUT OBLIGATION. SHOULD BE CONTACTED FOR THE LATEST REVISION.</small>		DWN: D. J. HARDY 27JUL2005 CHK: J. W. HALL 27JUL2005 APVD: J. W. HALL 27JUL2005	Tyco Electronics Harrisburg, PA 17105-3608
DIMENSIONS: mm 		TOLERANCES UNLESS OTHERWISE SPECIFIED: 9 PLC ± 1 PLC ±0.25 5 PLC ± 4 PLC ± ANGLES ± FINISH	NAME: JACK KIT, UNASSEMBLED, 1 POSITION, RG-62, 90 DEGREE, FAKRA, SMB PRODUCT SPEC: APPLICATION SPEC: 114-13157 WEIGHT: CUSTOMER DRAWING
MATERIAL: - FINISH: -		SIZE: A1 CAGE CODE: 00779 DRAWING NO: C-776797	RESTRICTED TO: SCALE: 5:1 SHEET: 2 OF 2 REV: C1