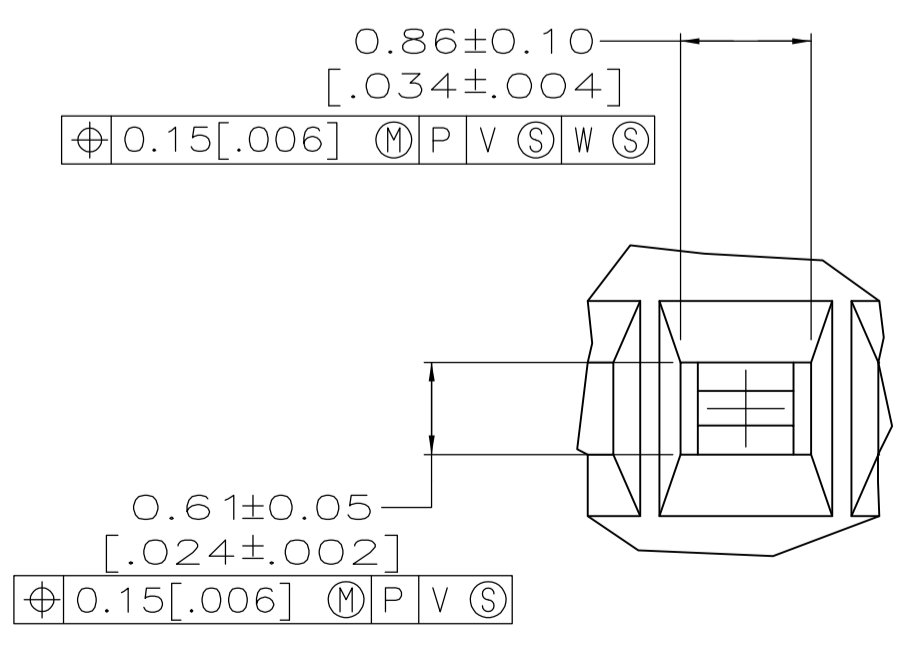
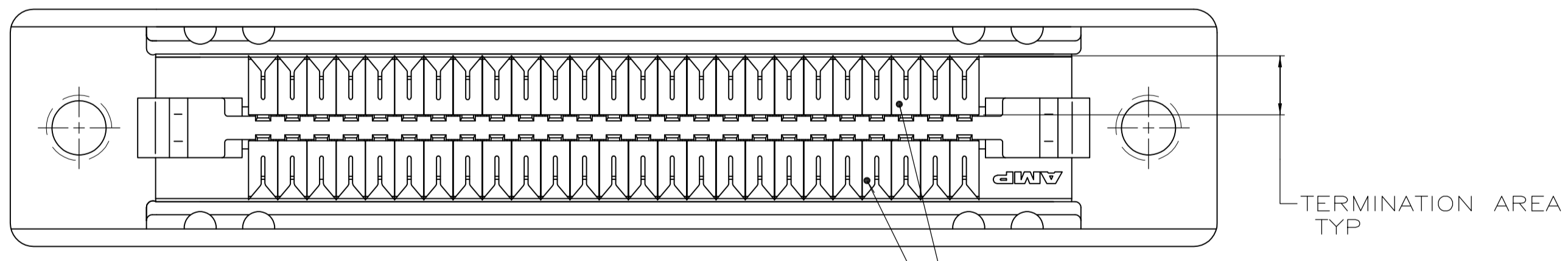
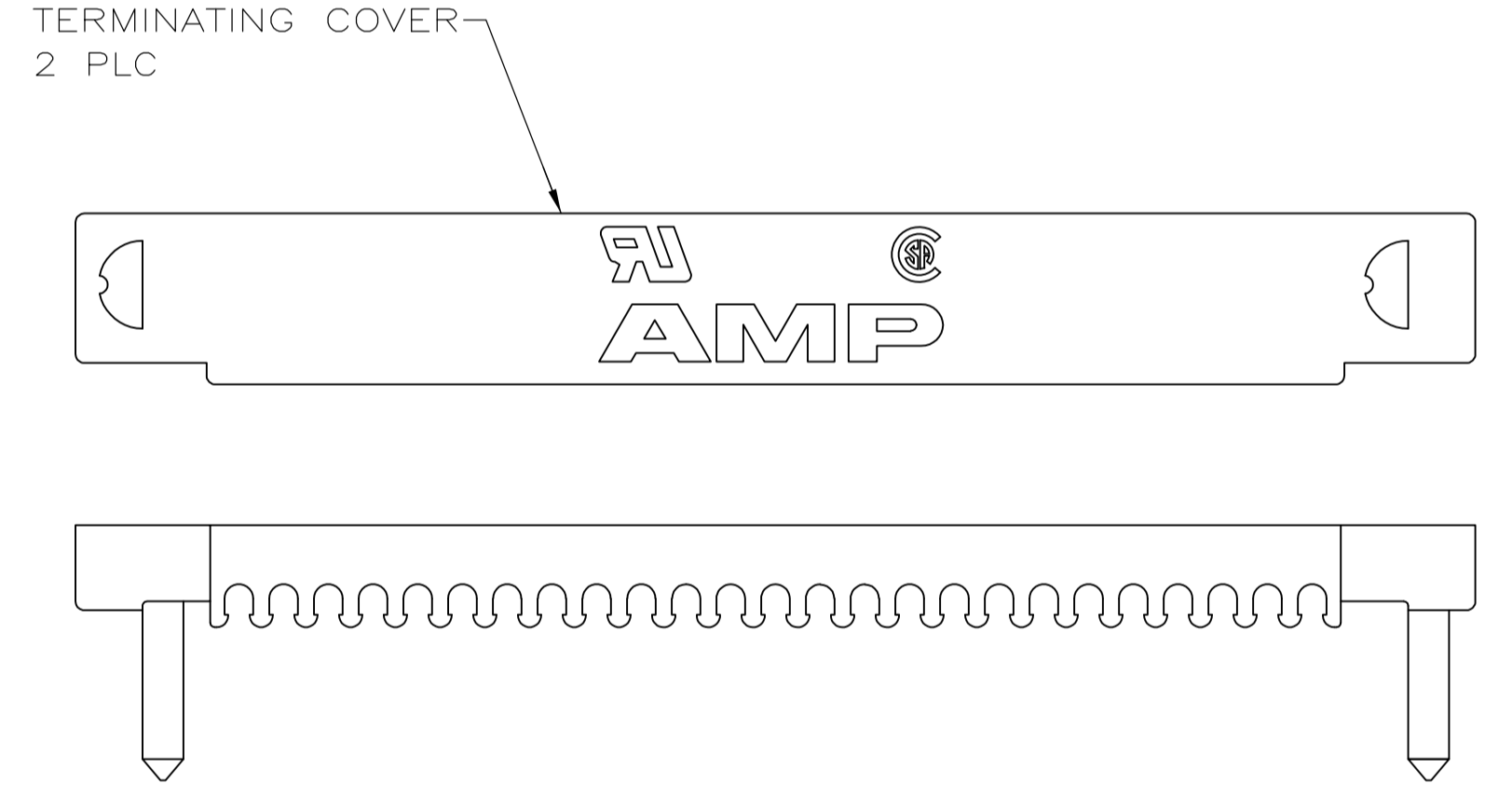
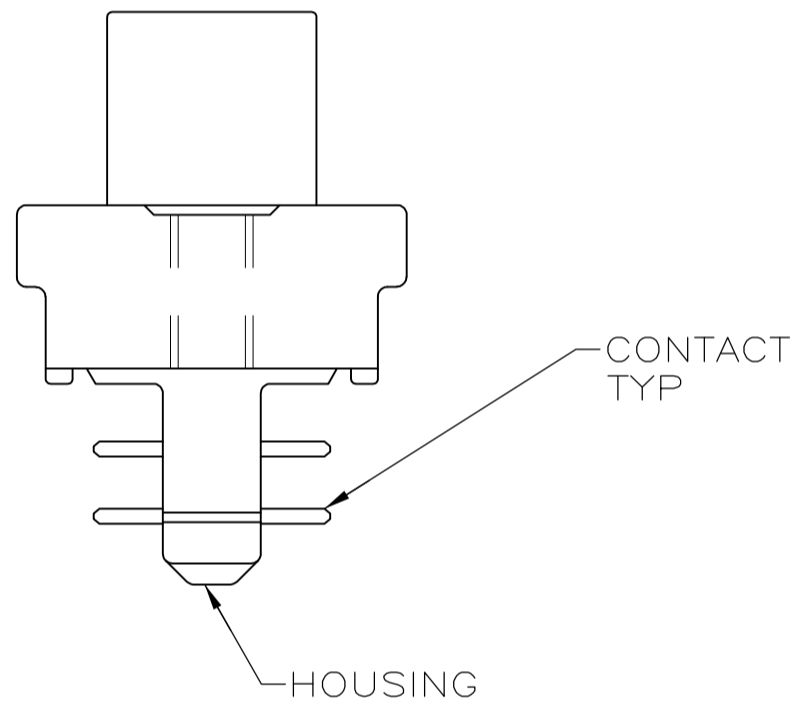
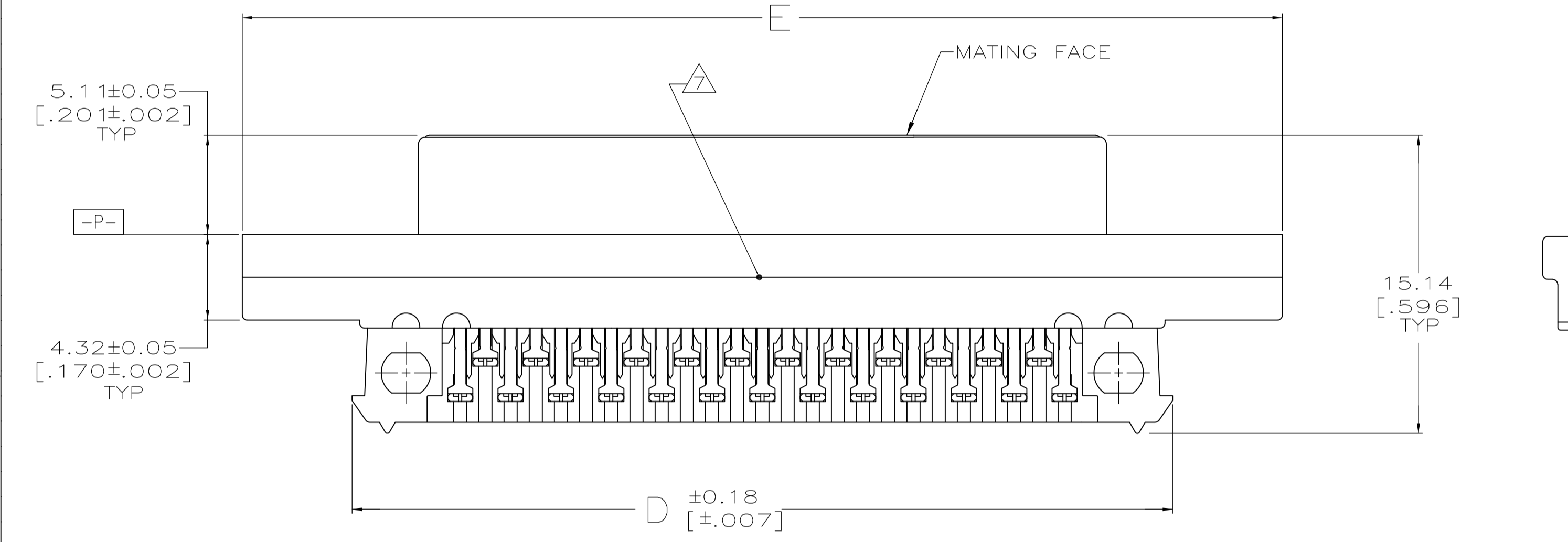
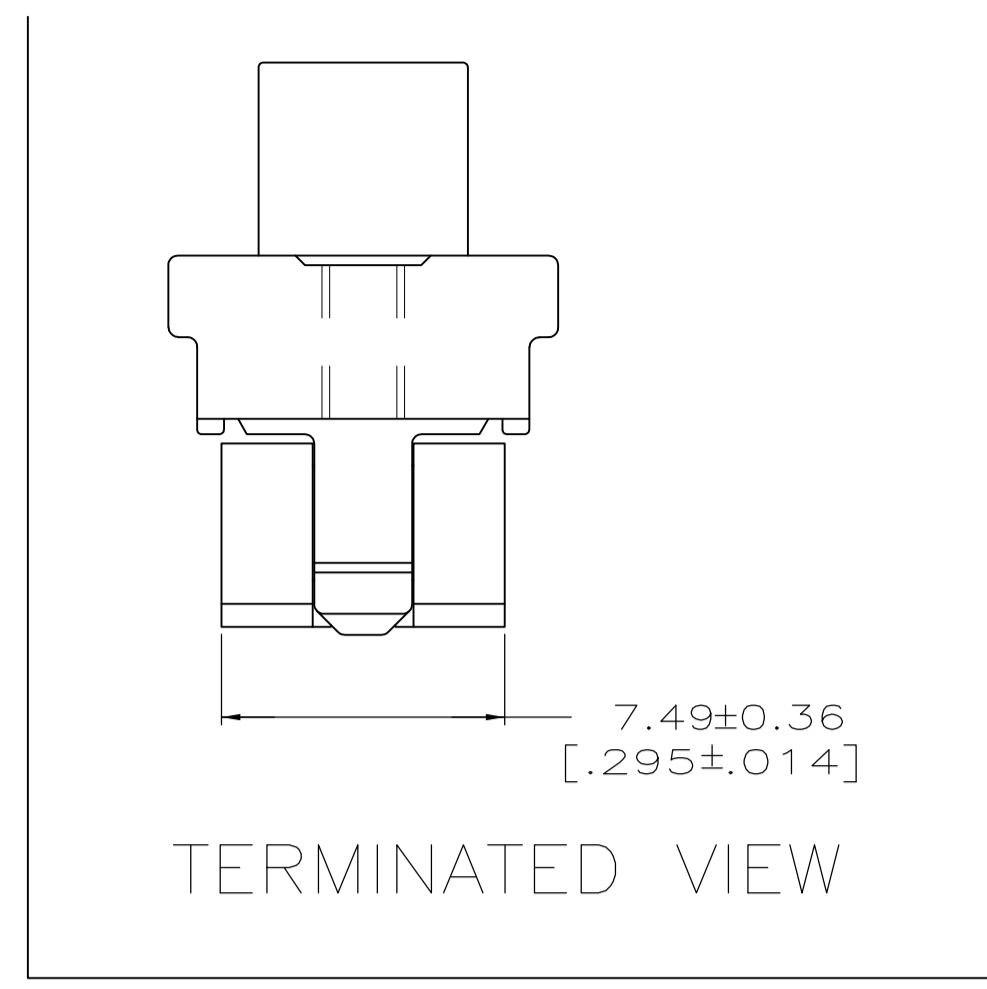
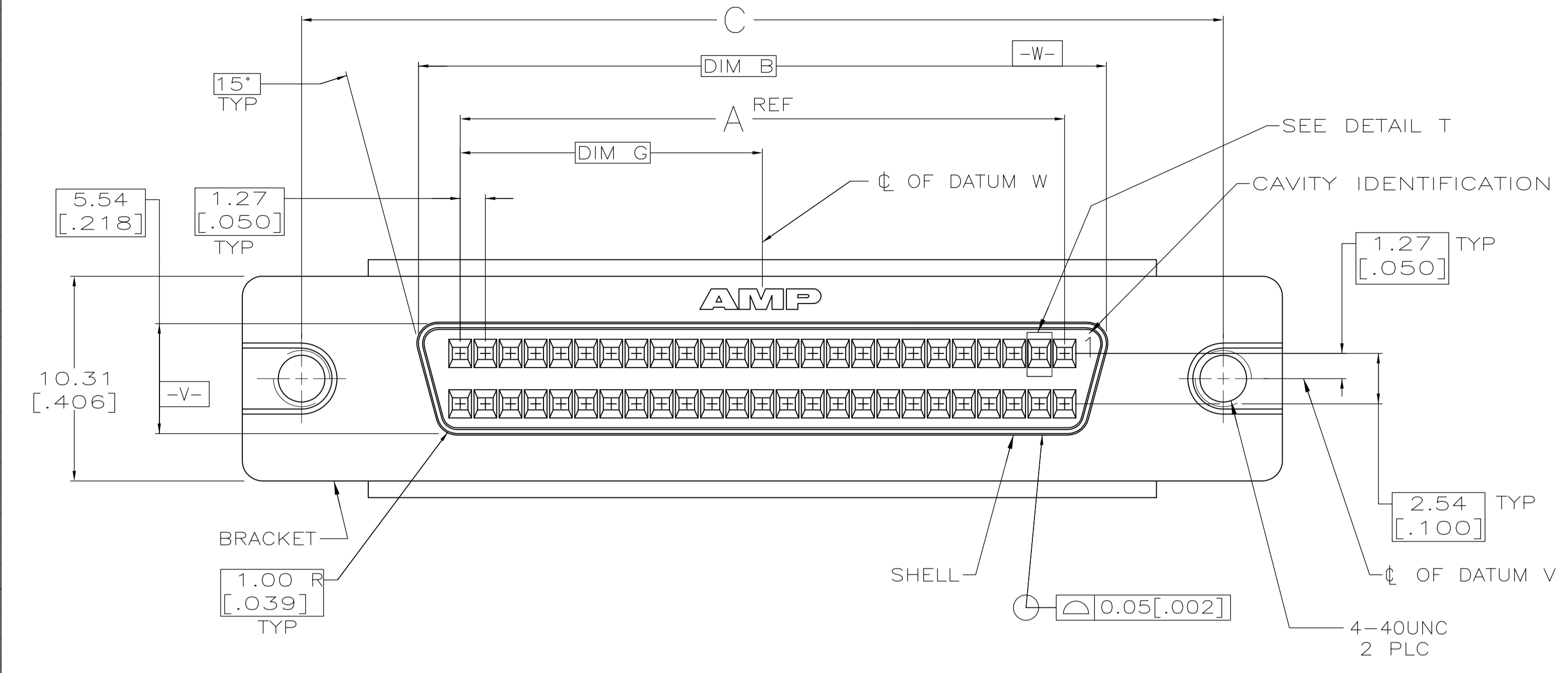


REVISONS		DATE	BY	APPV
GP	00	11MAR11	RK	HMR
F	LTR	DESCRIPTION		
K1	REVISED PER	ECO-11-004835		



DETAIL T
SCALE 20:1
TYPICAL

- 1 MATERIAL-
CONTACTS: PHOSPHOR BRONZE.
SHELL: CARBON STEEL.
HOUSING: POLYESTER, BLACK, UL 94V-0 RATED.
TERMINATING COVERS: POLYESTER, UL 94V-0 RATED, COLOR: SEE TABLE.
BRACKET: ZINC.
- 2 FINISH-
SHELL: 5.08µm [.000200] MIN NICKEL OVER 1.27µm [.000050] MIN COPPER.
BRACKET: 5.08µm [.000200] MIN NICKEL. 7.62µm [.000300] MIN COPPER.
CONTACTS: SEE TABLE.
- 3 EITHER 0.76µm [.000030] MIN GOLD PLATE OR GOLD FLASH OVER
PALLADIUM NICKEL PLATE, 0.76µm [.000030] MIN TOTAL FOR A LENGTH OF
0.64 [.025] MIN, 0.13 [.005] MAX FROM MATING END, 1.27µm [.000050]
MIN TIN-LEAD IN TERMINATION AREA, ALL OVER 1.27µm [.000050] MIN
NICKEL.
- 4 EITHER 0.76µm [.000030] MIN GOLD PLATE OR GOLD FLASH OVER
PALLADIUM NICKEL PLATE, 0.76µm [.000030] MIN TOTAL FOR A LENGTH OF
0.64 [.025] MIN, 0.13 [.005] MAX FROM MATING END, 1.27µm [.000050]
MIN TIN IN TERMINATION AREA, ALL OVER 1.27µm [.000050] MIN NICKEL.
- 5 RECOMMENDED WIRE: 28 AWG OR 30 AWG, SOLID OR 7 STRAND, PVC
INSULATION, REFER TO TABLE BELOW FOR INSULATION DIA.
- 6. COVERS PACKAGED SEPARATE FROM CONNECTORS IN SAME SHIPPING
CONTAINER.
- 7 DATE CODE THIS AREA, EITHER SIDE, SEE TABLE.
- 8 OBSOLETE PART NUMBER.
- 9 ROHS 2002/95/EC COMPLIANT.

YES	GRAY	0.74-0.79 DIA [.029-.031]	20.96 [.825]	63.88 [2.515]	52.81 [2.079]	57.91 [2.280]	46.13 [1.816]	41.91 [1.650]	68	4	9	6-786863-7
YES	GRAY	0.74-0.79 DIA [.029-.031]	20.96 [.825]	63.88 [2.515]	52.81 [2.079]	57.91 [2.280]	46.13 [1.816]	41.91 [1.650]	68	3		1-786863-7
NO	GRAY	0.74-0.79 DIA [.029-.031]	15.24 [.600]	52.45 [2.065]	41.38 [1.629]	46.48 [1.830]	34.70 [1.366]	30.48 [1.200]	50	3	8	1-786863-5
NO	BLACK	0.81-0.91 DIA [.032-.036]	31.12 [1.225]	84.20 [3.315]	73.13 [2.879]	78.23 [3.080]	66.45 [2.616]	62.23 [2.450]	100	3	8	786863-9
YES	BLACK	0.81-0.91 DIA [.032-.036]	20.96 [.825]	63.88 [2.515]	52.81 [2.079]	57.91 [2.280]	46.13 [1.816]	41.91 [1.650]	68	3	8	786863-7
NO	BLACK	0.81-0.91 DIA [.032-.036]	15.24 [.600]	52.45 [2.065]	41.38 [1.629]	46.48 [1.830]	34.70 [1.366]	30.48 [1.200]	50	3	8	786863-5
DATE CODE	TERMINATING COVERS COLOR	INSULATION OUTER DIA	5	G	E	D	C	B	A	NO OF POSN	FINISH	PART NUMBER

THIS DRAWING IS A CONTROLLED DOCUMENT.

DIN C. OBERMAN 04/29/93
CHK R. STONE 5-10-93

TOLERANCES UNLESS OTHERWISE SPECIFIED:

0 PLC	± -
1 PLC	± -
2 PLC	± 0.13 [.005]
3 PLC	± -
4 PLC	± -
ANGLES	± -

MATERIAL 1 FINISH 2

APVD -

PRODUCT SPEC 108-1228

APPLICATION SPEC 114-40029

WEIGHT -

CUSTOMER DRAWING

STE TE Connectivity

RECEPTACLE KIT, UNASSEMBLED, PANEL MOUNT, W/ WIRE TERMINATING COVER, FLAT TOP, .050 SERIES, AMPLIMITE

SIZE A1

SCALE 5:1

SHEET 1 OF 1

REV K1