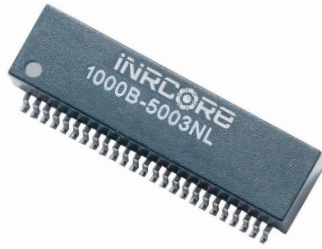


10/100BASE - TX SINGLE PORT TRANSFORMER MODULE



Ruggedized



- Compliant with IEEE 802.3ab for 1000Base-T
- 350µH OCL with 8mA bias at extended temperatures
- Storage Temperature: -55°C to +125°C
- Operating Temperature:
 - 1000B-5001F/5002F/5003F: -40°C to +85°C
 - 1000B-5001FX/5002FX/5003FX: -55°C to +125°C
- IC grade transfer-molded package withstands 235°C peak temperature profile
- Moisture Sensitivity Level: 3

Electrical Specifications @ 25°C

Part Number	Insertion Loss (dB MAX)					Return Loss (dB MIN)				Crosstalk (dB MIN)			CM to CM Rejection (dB MIN)			DM to CM Rejection (dB MIN)			HiPot (Vrms)
	0.10 MHz	30 MHz	60 MHz	80 MHz	100 MHz	30 MHz	60 MHz	80 MHz	100 MHz	30 MHz	60 MHz	100 MHz	30 MHz	60 MHz	100 MHz	30 MHz	60 MHz	100 MHz	60 Hz
1000B-5001F	1.2	1.2	1.2	1.2	1.2	18	12	10	10	43	37	33	40	35	30	43	37	33	1500
1000B-5001FX	1.4	1.4	1.4	1.4	1.4	18	12	10	8	43	37	33	40	35	30	43	37	33	1500
1000B-5002F	1.2	1.2	1.2	1.2	1.2	18	14	12	10	43	37	33	40	35	30	43	37	33	1500
1000B-5002FX	1.2	1.2	1.2	1.2	1.2	18	14	12	10	43	37	33	40	35	30	43	37	33	1500
1000B-5003F	1.2	1.2	1.2	1.2	1.2	18	14	11	9	43	37	33	40	35	30	43	37	33	1500
1000B-5003FX	1.2	1.2	1.2	1.2	1.2	18	14	11	9	43	37	33	40	35	30	43	37	33	1500

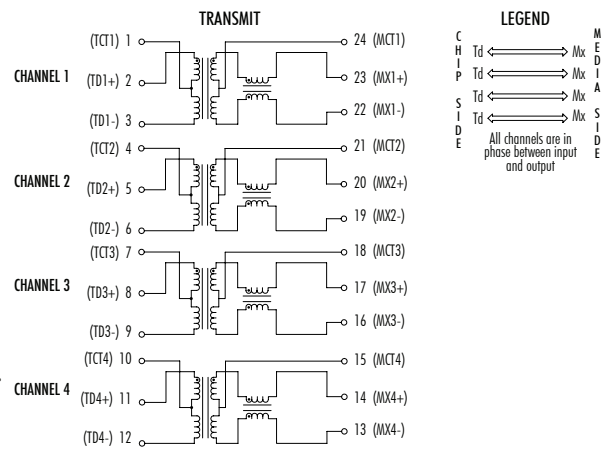
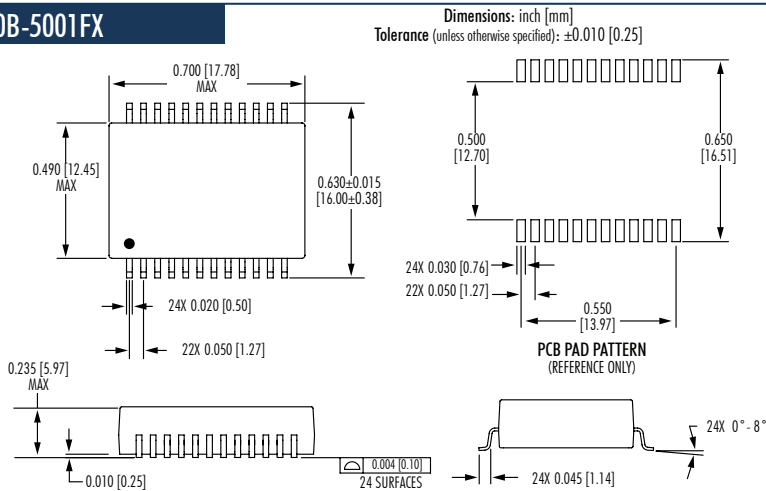
NOTES:

- Add suffix "NL" for RoHS compliant version; i.e. 1000B-5001F becomes 1000B-5001FNL.
- For Tape and Reel Packaging, add "T" suffix at the end of the part number; i.e. 1000B-5001FXT.
- Add suffix "X" for extended temperature version; i.e. 1000B-5001F becomes 1000B-5001FX.

Mechanicals

Electrical Schematics

1000B-5001FX



10/100BASE - TX SINGLE PORT TRANSFORMER MODULE

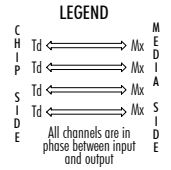
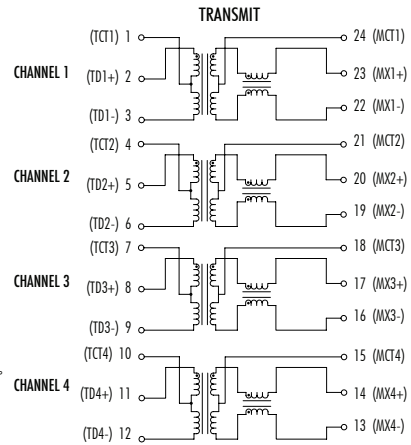
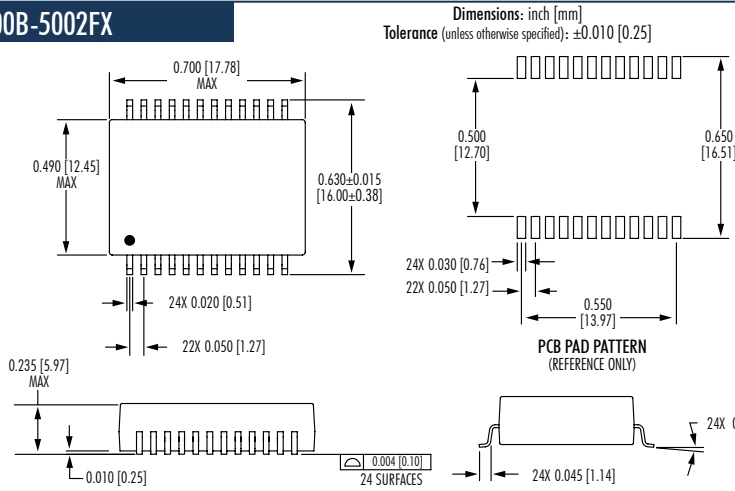


Ruggedized

Mechanicals

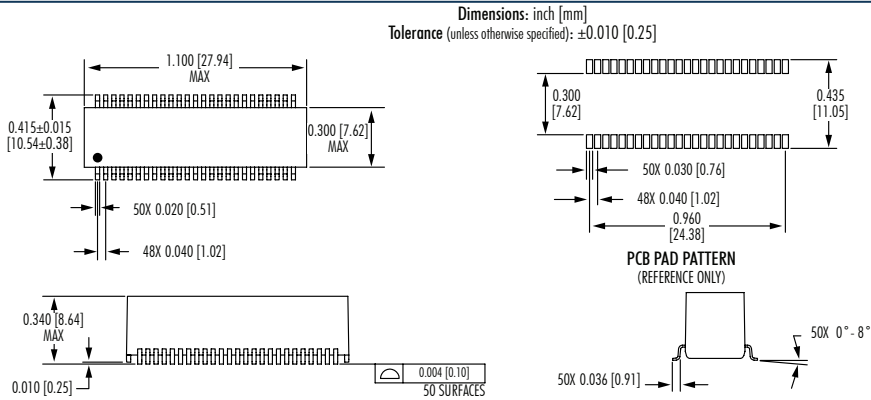
Electrical Schematics

1000B-5002FX



Mechanicals

1000B-5003FX



Electrical Schematics

1000B-5003FX

