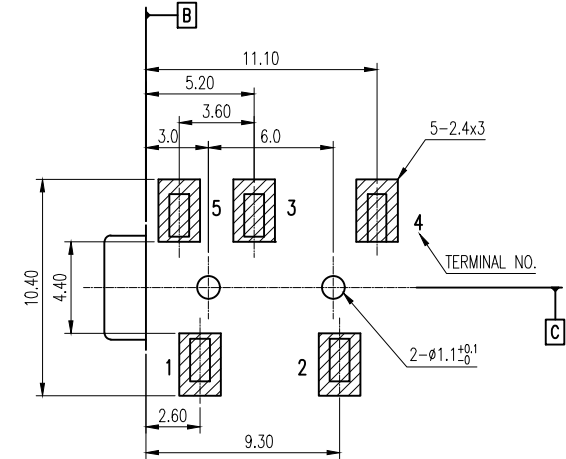
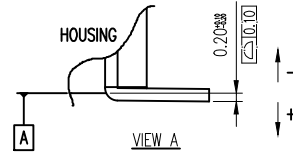
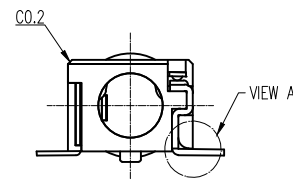
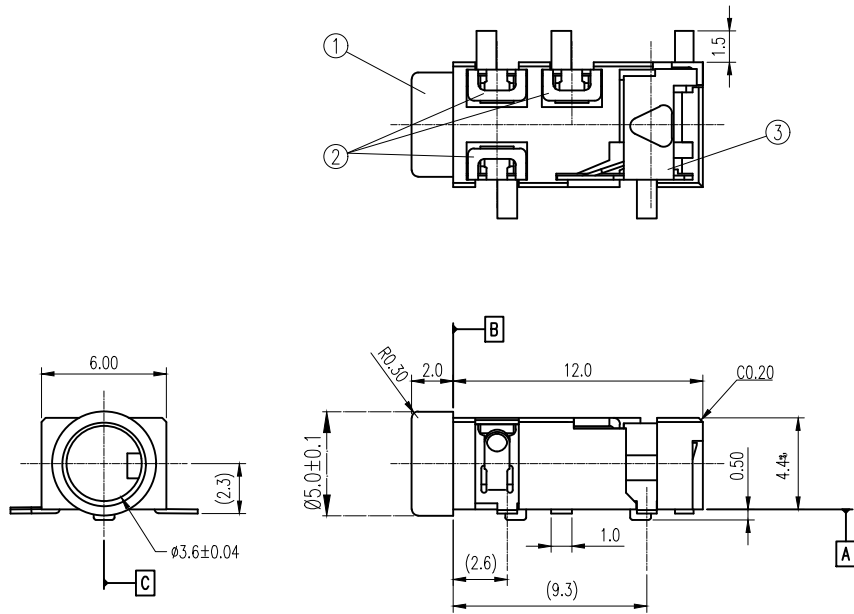
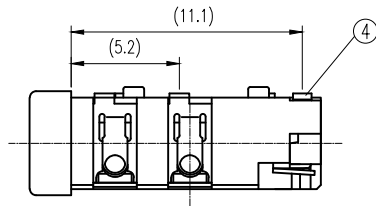
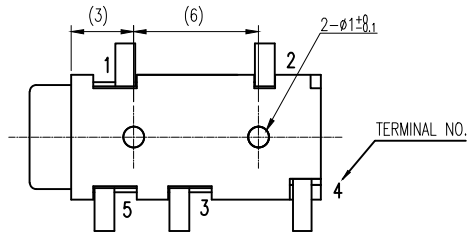


PROD NO
SEE NOTES



P.C.B Layout Dimension(Tolerance:±0.1)
(Recommend min.Dimension)(top view)



④	BREAK TERMINAL	4	1	C2680	f=0.30
③	TIP SPRING	2	1	C5210	f=0.20
②	CONTACT	1,3,5	3	C5210	f=0.20
①	HOUSING		1	PA9T, UL94V-0	
ITEM	PART NAME	TER'NO	QTY	MATERIAL	

mat'l. code				surface ISO 1302	tolerance ISO 406 ISO 1101	projection	product family AUDIO JACK
ltr	ecn no	dr	date	tolerances unless otherwise specified		MM	title Ø3.5 MINIATURE JACK
C	T07-1128	A.C.	8/08/07	angles	X ± 0.38		
D	T08-1015	A.C.	1/27/08	linear	.XX ± 0.25	scale 1:1	dwg no 10038075
E	T09-1012	S.LIN	2/16/09	0° ± 2°	.XXX ± 0.10		
F	ELX-I-010517	SAL	2012-03-06	dr	JASMINE CHANG	2004-09-02	sheet 1 of 4 size A4
G	ELX-I-012760	SAL	2012-09-10	enr	JASON HSU	2004-09-02	type Product Customer Drawing
H	ELX-I-23089	SAL	2016-01-21	chr	S. ALOSIOUS	2018-03-21	
J	ELX-I-29626	AN	2018-03-21	appd	BIJU K PAUL	2018-03-21	
sheet index	revision sheet	J	J	J	J		
		1	2	3	4		

PROD NO
SEE NOTES

NOTES :

MATERIALS :

1. HOUSING a) THERMOPLASTIC, BLACK PA9T. (.)
b) THERMOPLASTIC, BLUE PA9T. (0)
2. CONTACT : PHOSPHER BRONZE(C5210)
3. TIP SPRING : PHOSPHER BRONZE(C5210)
4. BREAK TERMINAL : BRASS.(C2680)

SPECIFICATION :

1. PRODUCT SPEC : GS-12-280.
2. PACKAGING SPEC : GS-14-903.

PLATING SPEC:

TERMINAL PLATING 0: 0.6µm Min. MATTE SILVER PLATED ON ENTIRE OVER 20µ" Min. SEMI BRIGHT Ni WITH 80µ" Min. Cu UNDERPLATED OVER ALL.

TERMINAL PLATING 1: GOLD FLASH PLATED ON ENTIRE WITH 80u" Min. NICKEL UNDERPLATED OVER ALL.

LEAD FREE NOTES :

1. THIS PRODUCT (10038075-XXPLF) MEETS THE EUROPEAN UNION DIRECTIVE AS DESCRIBED IN GS-22-008.
2. THE HOUSING WILL WITHSTAND EXPOSURE TO 260°C PEAK TEMPERATURE FOR 10 SECONDS IN A CONVECTION, IR OR VAPOUR PHASE REFLOW OVEN.

PART NO.	10038075-AXP	10038075-BXP
CIRCUIT		
PART NO.	10038075-DXP	10038075-HXP
CIRCUIT		
PART NO.		10038075-JXP
CIRCUIT		
PART NO.	10038075-KXP	
CIRCUIT		

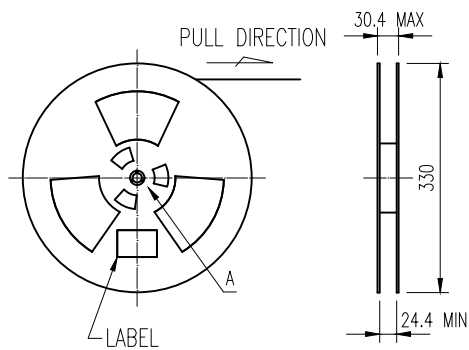
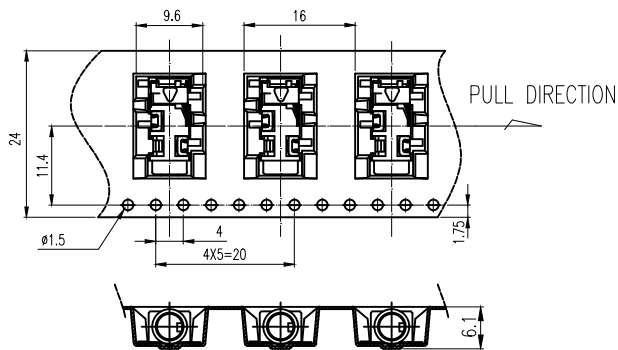
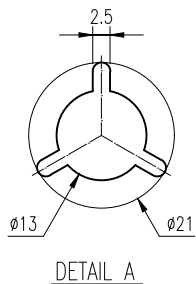
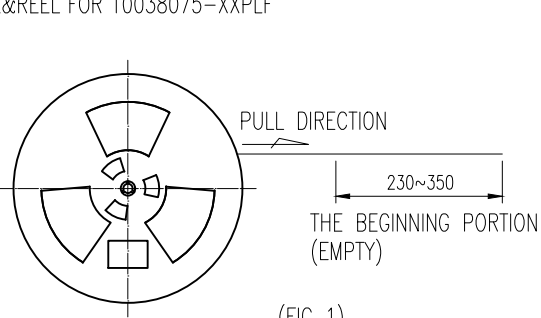
TABLE I

PART NUMBERS : 10038075 - X X X X LF

LEAD FREE VERSION
(.) BLANK : BLACK COLOUR
0 : BLUE COLOUR
PACKAGING
P: TAPE&REEL: REFER TO THE PAGE 3.
R: TAPE&REEL IN REVERSE DIRECTION: REFER TO PAGE 4.
TERMINAL PLATING
0 : SILVER.
1 : GOLD FLASH.
SEE TABLE I
CONFIGURATION

mat'l. code				surface ISO 1302	tolerance ISO 406 ISO 1101	projection	product family AUDIO JACK
ltr	ecn no	dr	date	tolerances unless otherwise specified		 MM scale 1:1	title Ø3.5 MINIATURE JACK
C	T07-1128	A.C.	8/08/07	angles	X ± 0.38		
D	T08-1015	A.C.	1/27/08	lineal	.XX ± 0.25		
E	T09-1012	S.LIN	2/16/09		XXX ± 0.10		
F	ELX-I-010517	SAL	2012-03-05	dr	JASMINE CHAING	2004-09-02	dwg no 10038075 sheet 2 of 4 size A4
G	ELX-I-012760	SAL	2012-09-10	enr	JASON HSU	2004-09-02	
H	ELX-I-23089	SAL	2016-01-21	chr	S. ALOSIOUS	2018-03-21	
J	ELX-I-29626	AN	2018-03-21	appd	BIJU K PAUL	2018-03-21	
sheet index	revision sheet	J	J	J	J		type Product Customer Drawing
		1	2	3	4		

THE SPEC OF TAPE&REEL FOR 10038075-XXPLF



UNIT : mm

REMARK:

- 1.The connector can not be loaded on the position of length 230~350mm in the beginning of carrier tape and 160~240mm in the end of carrier tape. (Refer FIG 1).
- 2.The direction of connector was shown in the FIG 2.
- 3.The label shall be adhered to the front side of reel. (Refer FIG 3).
- 4.A force of 20gf~130gf shall be applied to cover tape as peel off the cover tape at 300mm/min speed in the condition of 165°~180° reverse direction.

mat'l. code				surface ISO 1302		tolerance ISO 406 ISO 1101		projection MM		product family AUDIO JACK	
ltr				ecn no		dr		date		title	
C				T07-1128		A.C.		8/08/07		ø3.5 MINIATURE JACK	
D				T08-1015		A.C.		1/27/08			
E				T09-1012		S.LIN		2/16/09		scale 1:1	
F				ELX-I-010517		SAL		2012-03-05		tolerances unless otherwise specified	
G				ELX-I-012760		SAL		2012-09-10		angles	
H				ELX-I-23089		SAL		2016-01-21		linear	
J				ELX-I-29626		AN		2018-03-21		XXX ± 0.10	
sheet				revision		J		J		J	
index				sheet		1		2		3	
										Amphenol FCI	
										dwg no 10038075	
										sheet 3 of 4 size A4	
										type Product Customer Drawing	