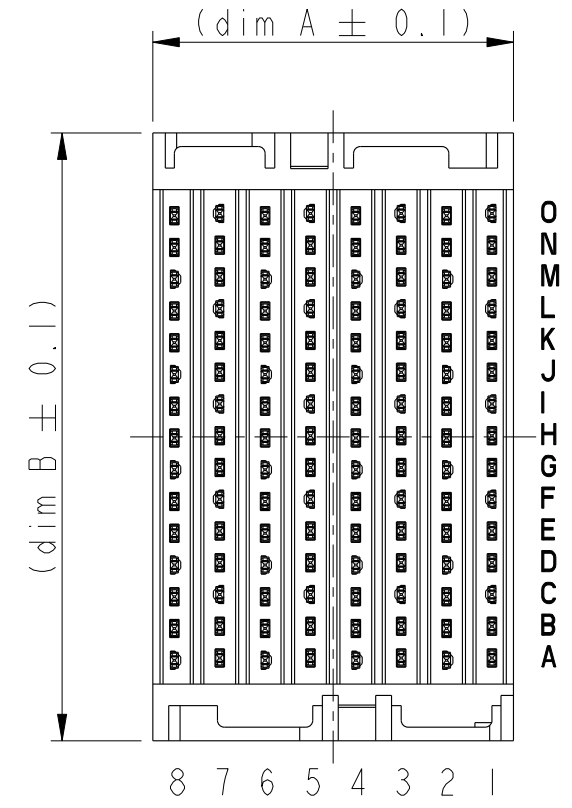
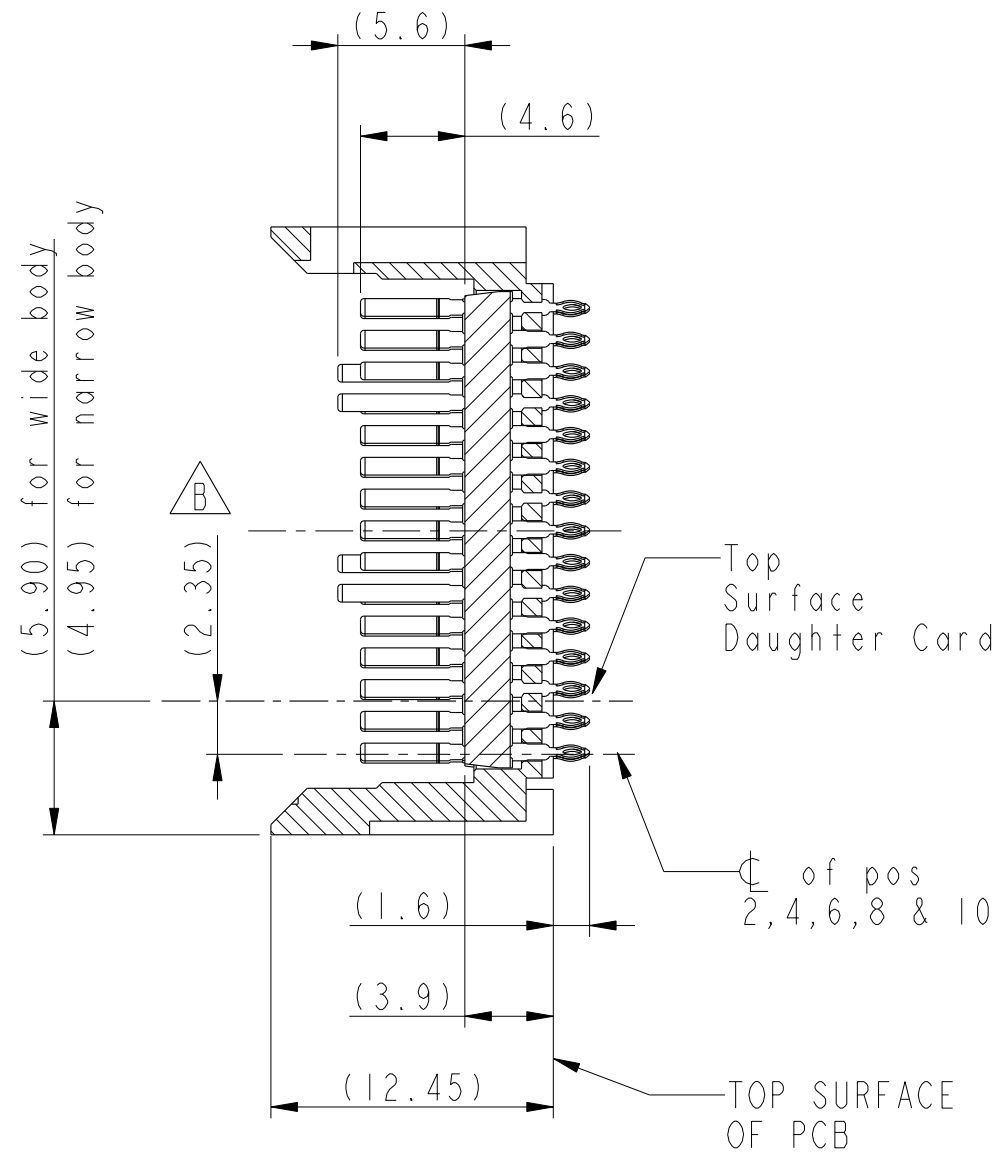


VIEWS WITHOUT PROTECTION COVER



For housing types and dim A and B see sheet 4

Part number:
10055140-1YZABCILF

X = PLATING
I=TELCORDIA CO (see note sheet 5)

YZ = HOUSING TYPE
01 = 2 wall narrow body
04 = 4 wall narrow body
05 = 2 wall wide body (STANDARD VERSION)
08 = 4 wall wide body

ABC = PIN LAYOUT
001 = standard layout (no detect pin)
xxx = other versions see sheet 2

LF = Lead Free
LF = Lead free product (see note 8 sheet 5)
no suffix = Non lead free: available upon special request

2 WALL WIDE BODY VERSION AS SHOWN

spec ref	RELEASE	dr	Matthew Cheong	2007/04/25	projection	mm	size	A3	scale	2:1	
tolerance std	TOLERANCES UNLESS OTHERWISE SPECIFIED	eng	Roger Ng	2013/01/28			ecn no	ELX-S-13944-1	rel level	Released	
ISO 406		chr	-	-							
ISO 1101		appr	Chen-Hong Tan	2013-01-30							product family
surface	linear	0.X	±		AirMax VS VERTICAL HEADER 5 pair, 120 pos, 2mm, 8 IMLA	dwg no 10055140	rev B	Product - Customer Drw		sheet 1 of 5	
ISO 1302	angular	0°	±°					cat. no.	-	www.fci.com	

A

A

* Detection pin of 3.9mm possible on standard positions H5.
 For other detection pin and options please consult FCI.

B

B

Partnumber \ Pin layout	5.6mm Longpins (typ gnd)	3.9mm * Short pin (typ detect)	4.6mm Otherpins (typ sign)
10055140-IYZ0011(LF)	L1, M2, L3, M4, L5, M6, L7, M8 F1, G2, F3, G4, F5, G6, F7, G8	-	all other positions
10055140-IYZ0031(LF)	L1, M2, L3, M4, L5, M6, L7, M8 F1, G2, F3, G4, F5, G6, F7, G8	H5	all other positions

C

C

D

D

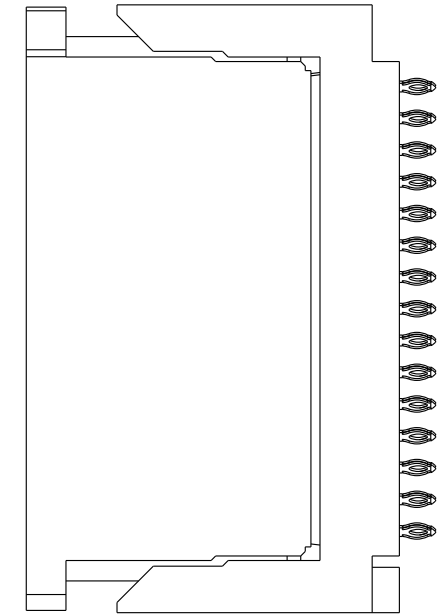
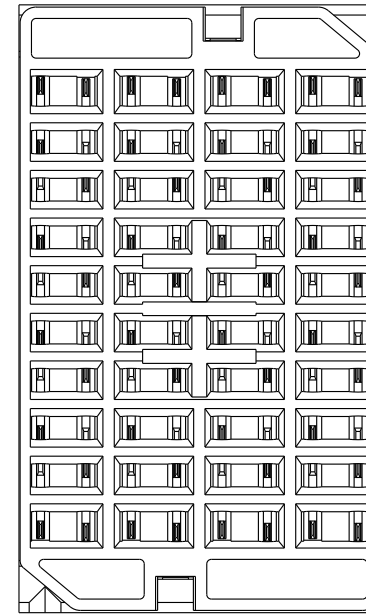
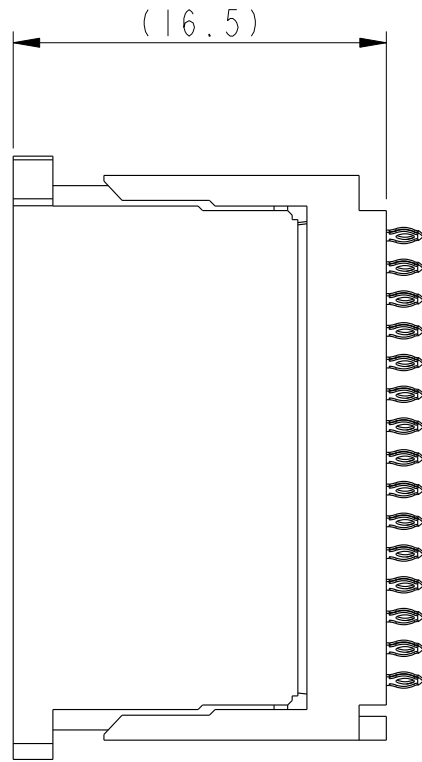
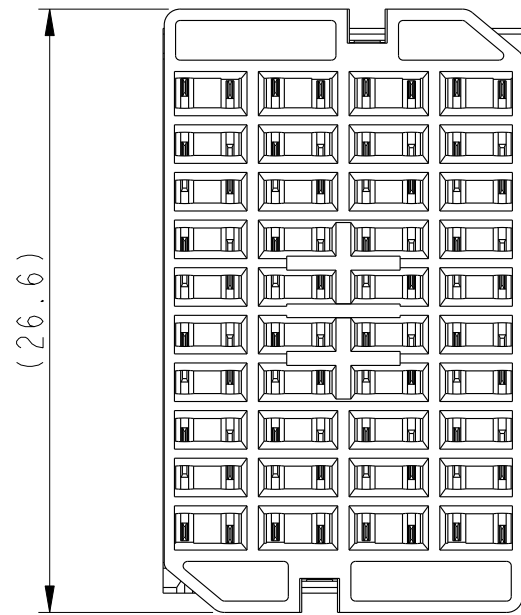


Copyright FCI.

spec ref	RELEASE	dr	Matthew Cheong	2007/04/25	projection	mm	size	A3	scale	2:1
tolerance std	TOLERANCES UNLESS OTHERWISE SPECIFIED	eng	Roger Ng	2013/01/28		←→	ecn no	ELX-S-13944-1		
ISO 406		chr	-	-				rel level	Released	
ISO 1101		appr	Chen-Hong Tan	2013-01-30	product family	AirMax VS				
surface	linear	0.X	±		title	AirMax VS VERTICAL HEADER	dwg no	10055140	rev	B
ISO 1302										

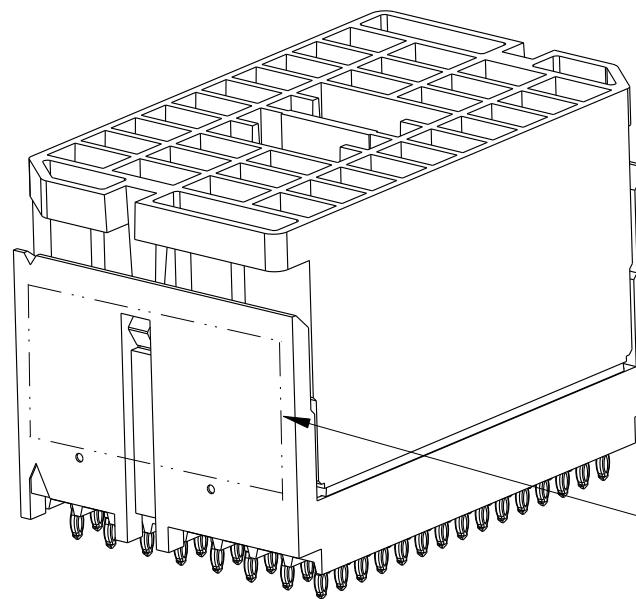
NARROW BODY

WIDE BODY



Triangle indicates position A1.
SEE NOTE 12

SEE NOTE 14



CUT-OUT SIDE AT
OPPOSITE SIDE OF
A1 INDICATOR.

SEE NOTE 13

NOTE 5 & 12.

spec ref	RELEASE				dr	Matthew Cheong	2007/04/25	projection	mm	size	A3	scale	2:1
tolerance std	TOLERANCES UNLESS OTHERWISE SPECIFIED				eng	Roger Ng	2013/01/28			ecn no	ELX-S-13944-1		
ISO 406					chr	-	-		product family	AirMax VS			rel level
ISO 1101					appr	Chen-Hong Tan	2013-01-30						
surface		linear	0.X	±		title		AirMax VS VERTICAL HEADER		dwg no 10055140	rev		B
ISO 1302		linear	0.XX	±		5 pair, 120 pos, 2mm, 8 IMLA							
		angular	0°	±°		cat. no.	-	Product - Customer Drw	sheet 3 of 5				



Copyright FCI.

1

2

3

4

NARROW BODY

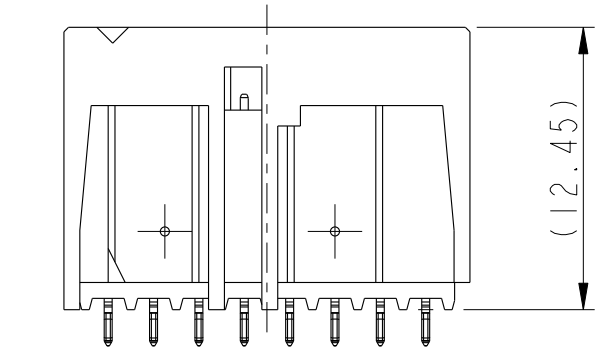
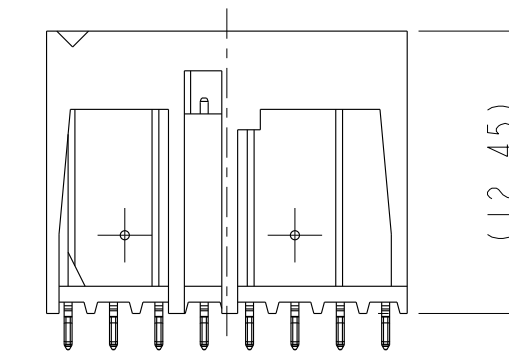
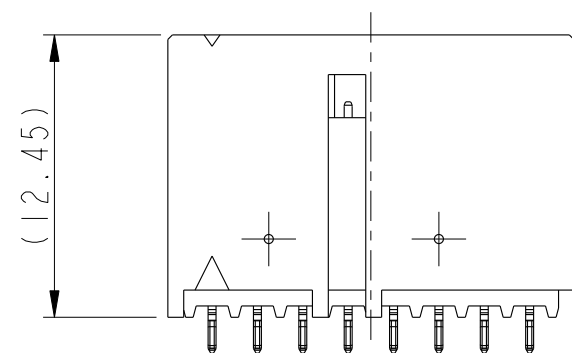
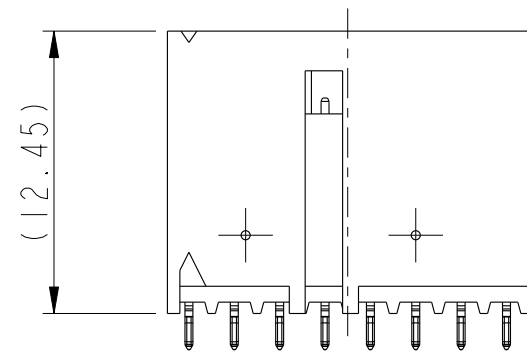
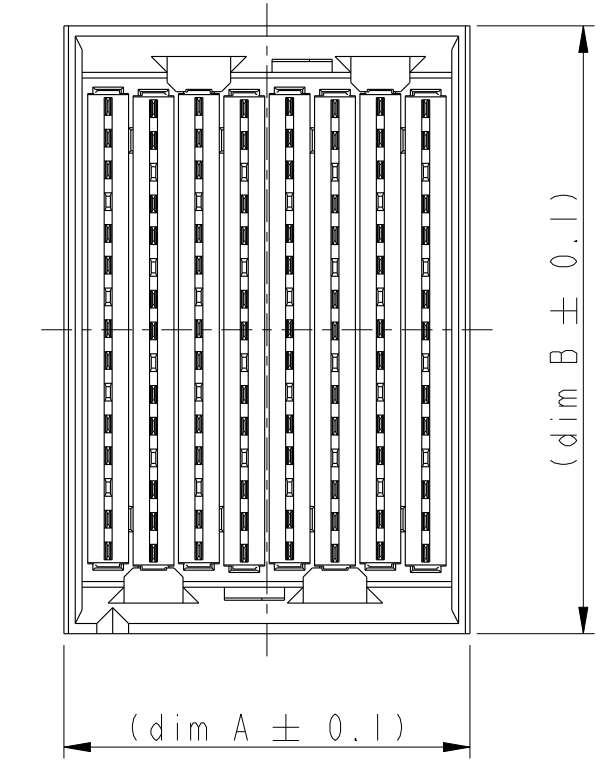
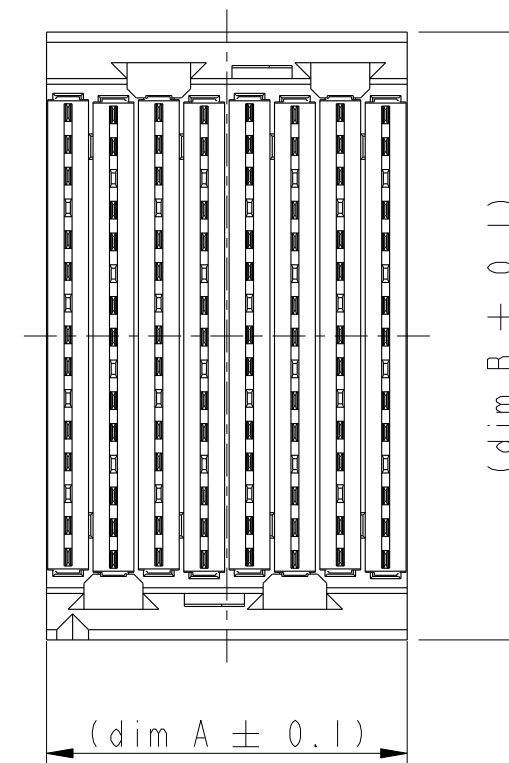
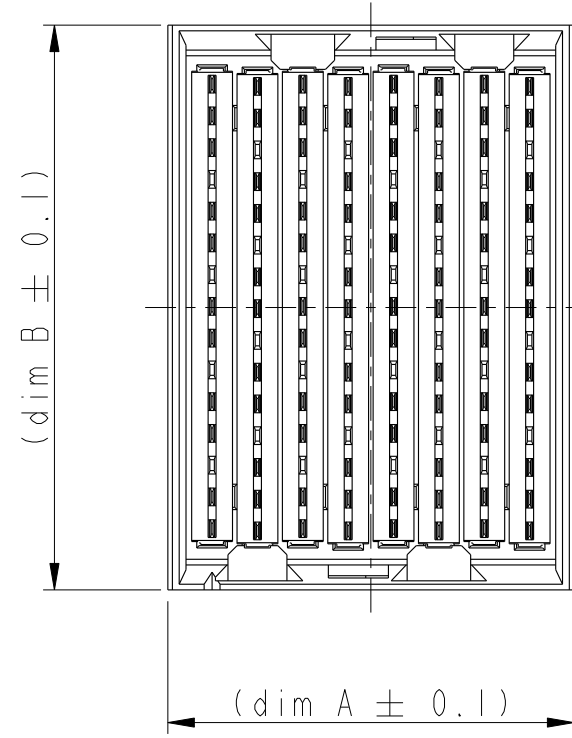
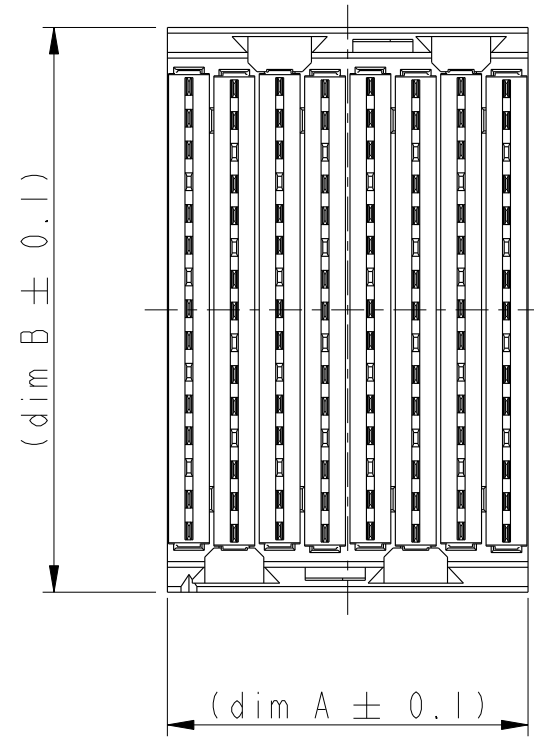
WIDE BODY

10055140-101ABC1

10055140-104ABC1

10055140-105ABC1

10055140-108ABC1



PN / dim	A	B
10055140-101ABC1(LF)	15.9	24.9
10055140-104ABC1(LF)	17.9	24.9
10055140-105ABC1(LF)	15.9	26.8
10055140-108ABC1(LF)	17.9	26.8

spec ref	RELEASE	dr	Matthew Cheong	2007/04/25	projection	mm	size	A3	scale	2:1
tolerance std	TOLERANCES UNLESS OTHERWISE SPECIFIED	eng	Roger Ng	2013/01/28		← →	ecn no	ELX-S-13944-1		
ISO 406 ISO 1101		chr	-	-			rel level	Released		
surface		linear	appr	Chen-Hong Tan	2013-01-30	product family	AirMax VS		rev	B
ISO 1302	angular			www.fci.com	cat. no.	-	Product - Customer Drw	sheet 4 of 5		



Copyright FCI.