

# Coax Probes ATTACHED CABLE

## 100445 & 100746 SIGNAL PLUNGERS



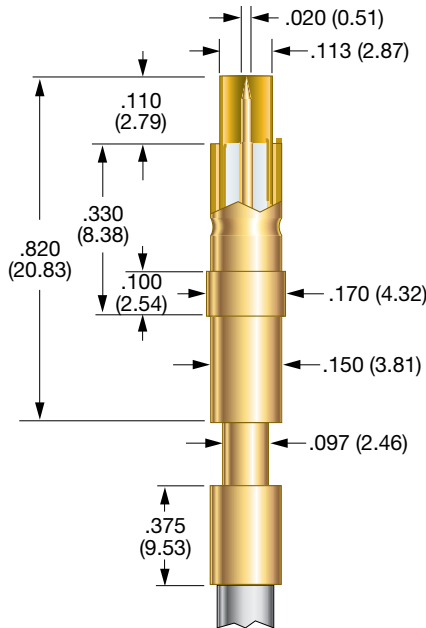
## 100445 & 100746 SHIELDING PLUNGERS



## 100999 PLUNGERS TIPS



## 100445/100746



### PROBE SPECIFICATIONS

Minimum Centers: .200 (5.08)  
 Current Rating: 3 amps continuous  
 Spring Force: Signal Conductor:  
 B Tip: 1.6 oz. @ .070 (1.78) travel  
 A, ES, H Tips: 2.0 oz. @ .070 (1.78) travel  
 Shielding Plunger: 4.3 oz. @ .070 (1.78) travel  
 Nominal Impedance: 50 Ω  
 Maximum Travel:  
 .090 (2.29) for tip B  
 .075 (1.91) for tips A, ES, H  
 Working Travel: .070 (1.78)

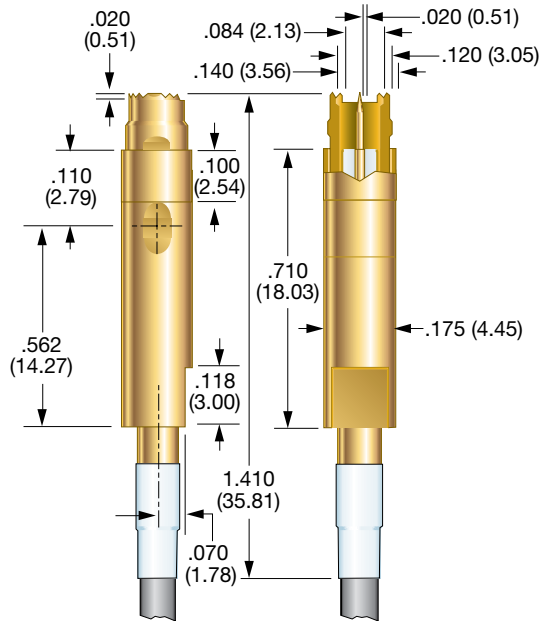
### MATERIALS

Barrel: Brass, gold plated  
 Spring:  
 Signal Conductor: Beryllium copper, gold plated  
 Shielding Plunger: Stainless steel, gold plated  
 Shielding Plunger: Beryllium copper, gold plated  
 Dielectric Insulator: Teflon  
 Shielding Tube: Stainless steel, gold plated  
 Signal Conductor: Series S, Size 00 probe  
 Crimp Ferrule: Brass, gold plated  
 Coaxial Cable: 100445: RG 174U  
 100746: RG 316

### HOW TO ORDER

100445	B	F	N	12	AM
BASE PART NUMBER	SIGNAL PROBE TIP	MOUNTING FLANGE	SHIELDING PLUNGER	CABLE LENGTH	CABLE TERMINATION
SHIELDING PLUNGER:			CABLE LENGTH:	AM: SMA MALE	
S: SERRATED			12 - 12 INCHES	AF: SMA FEMALE	
N: FLAT			36 - 36 INCHES	NC: NO CONNECTOR	
				N: WITHOUT FLANGE	
				F: WITH FLANGE	

## 100999



### PROBE SPECIFICATIONS

Minimum Centers: .200 (5.08)  
 Current Rating: 3 amps continuous  
 Spring Force: Signal Conductor:  
 B Tip: 1.6 oz. @ .070 (1.78) travel  
 U Tip: 3.3 oz. @ .070 (1.78) travel  
 Shielding Plunger: 4.5 oz. @ .070 (1.78) travel  
 Nominal Impedance: 50 Ω  
 Maximum Travel: .090 (2.29)  
 Working Travel: .070 (1.78)

### MATERIALS

Barrel: Brass, gold plated  
 Spring:  
 Signal Conductor: Beryllium copper, gold plated  
 Shielding Plunger: Stainless steel, gold plated  
 Shielding Plunger: Beryllium copper, gold plated  
 Dielectric Insulator: Teflon  
 Shielding Tube: Brass, gold plated  
 Signal Conductor: Series S, Size 00 probe  
 Coaxial Cable: Semi-flex or flex cable

### HOW TO ORDER

100999	B	12	AM	F
BASE PART NUMBER	SIGNAL PROBE TIP	CABLE LENGTH	TERMINATION	CABLE TYPE
CABLE LENGTH:		AM: SMA MALE	F: FLEX	
12 - 12 INCHES		AF: SMA FEMALE	S: SEMI-FLEX	
36 - 36 INCHES		NC: NO CONNECTOR		

\* WHEN ORDERING WITH A PREATTACHED CONNECTOR, PLEASE NOTE THAT THE CONNECTOR WILL NOT FIT THROUGH THE PROBE MOUNTING HOLE. THE PROBE MUST BE INSERTED FROM THE BOTTOM SIDE OF THE MOUNTING PLATE.

CONSULT IDI FOR MORE INFORMATION.

Specifications subject to change without notice. Dimensions in inches (millimeters)