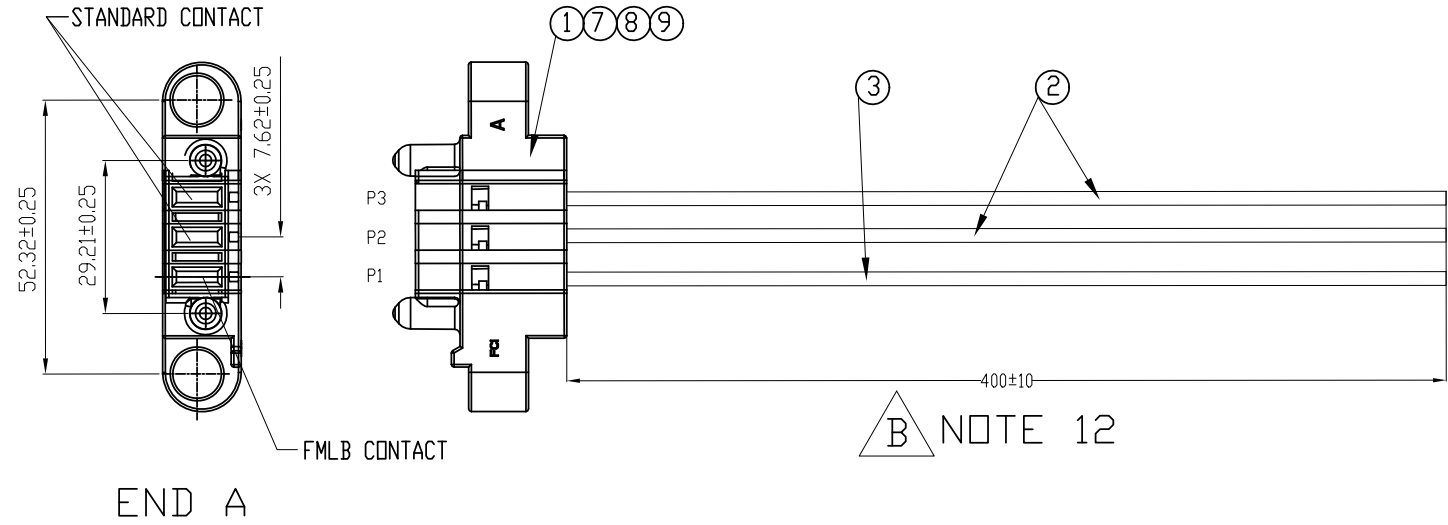


FCI CONFIDENTIAL

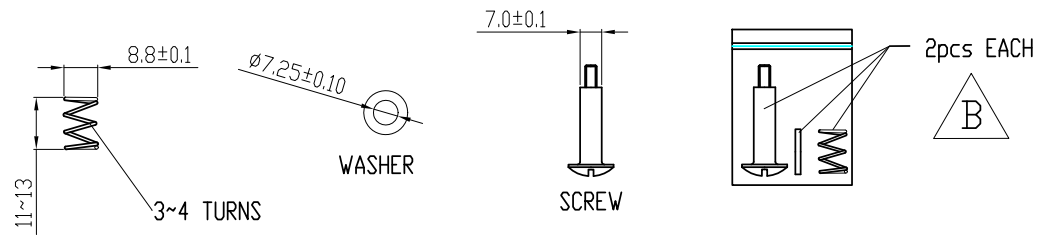
PRODUCT NUMBER
NOTE 3
10080594-4ED0199LF



END A

- P1 UL1015 10awg GREEN/YELLOW
- P2 UL1015 10awg BLACK
- P3 UL1015 10awg BLACK

Qty	Unit	Description	Item
3	PC	LOCK KEY, BLACK	9
2	PC	SHORT POWER TERMINAL, FOR 10awg WIRE, HIGH COPPER ALLOY, PLATING: Au 0.76um	8
1	PC	LONG POWER TERMINAL, FOR 10awg WIRE, HIGH COPPER ALLOY, PLATING: Au 0.76um	7
2	PC	COMPRESSION SPRING	6
2	PC	FLAT WASHER	5
2	PC	SHOULDER SCREW, #6-32UNC	4
NA	M	UL1015 10awg GREEN/YELLOW	3
NA	M	UL1015 10awg BLACK	2
1	PC	PwrBlade RECEPTACLE 3Acp	1



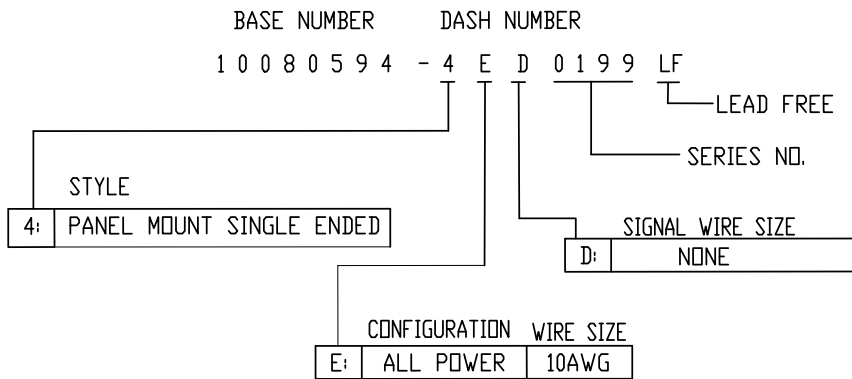
mat'l. code		surface ISO 1302 ✓		tolerance ISO 406 ISO 1101		projection		product family	
l'tecno no		dr		date		tolerances unless otherwise specified		Power blade	
B		ELX-N-006901		wilson		09-27/11		title	
				angles		linear		PowerBlade 3Acp Cable Assembly	
								scale 4	
				dr		wilson		01-05'11	
				enr		wilson		01-05'11	
				chr		wilson		01-05'11	
				appd		Jackson			
sheet index		revision sheet		B		1		dwg no	
								10080594-4ED0199LF	
								sheet 1 of 2	
								size A3	
								Type Customer Drawing	

FCI
Copyright FCI
No part of this document may be used in any way or disclosed to others without the written consent of FCI.

NOTES:

- 1. END A MATES WITH FCI HEADER PART NUMBER XXXXX.
- 2. UNLESS OTHERWISE SPECIFIED ASSEMBLED LENGTH TOLERANCE =
 - < = 1 METER: ±15.0mm
 - > 1 METER TO 10 METER: ±2% OF L1
 - > 10 METER: +0.00% / -4% OF L1

3. PART NUMBER DESCRIPTION:



- 4. UNLESS OTHERWISE SPECIFIED LABEL POSITION SHALL BE APPROXIMATELY 50mm FROM REAR OF CONNECTOR.
- 5. UNLESS OTHERWISE SPECIFIED STANDARD LABEL SHALL BE BRADY LABEL P/N THT-10-427-3.
 LABEL DETAILS;
 - MANUFACTURER CODE OR NAME
 - FCI P/N
 - REVISION
 - DATE CODE WW/YY FORMAT
 - COUNTRY ORIGIN
 FONT SHALL BE CLEARLY VISABLE AND BLACK IN COLOR.

- 6. ALL CABLE ASSEMBLIES SHALL BE TESTED 100% FOR CONTINUITY AS DEFINED IN WIRING LIST.
- 7. UNLESS OTHERWISE SPECIFIED ALL CABLE ASSEMBLIES SHALL BE 100% HI-POT TESTED BY APPLYING 300V DC FOR MINIMUM OF 10ms, UNLESS ACTIVE COMPONENTS ARE USED IN THIS ASSEMBLY.
- 8. ALL CUSTOMER DRAWINGS ARE SUPPLIED WITH METRIC DIMENSIONS.
- 9. LEAD FREE PRODUCTS MEET EUROPEAN UNION DIRECTIVES AND OTHER COUNTRY REGULATIONS AS DESCRIBED IN GS-22-008.

PACKAGING OF LEAD FREE PRODUCTS MEETS LABELING AND PACKAGING SPECIFICATION GS-14-920.

- 10. CONNECTOR ASSEMBLIES SHOWN ARE FOR REFERENCE ONLY AND MAY NOT SHOW ALL PART DETAIL. REFERENCE CONNECTOR HOUSING DRAWINGS FOR COMPLETE DETAILS.
- 11. CONNECTOR ASSEMBLIES SHOWN ARE FOR REFERENCE ONLY AND MAY NOT SHOW ALL PART DETAIL. REFERENCE CONNECTOR HOUSING DRAWINGS FOR COMPLETE DETAILS.
- 12. ATTACH UL LABEL ON CARTON.
- 13. THIS DIMENSION IS A FINISHED PRODUCT LENGTH.

14. CABLE: UL APPROVED, TEMPERATURE RATING 105°C, 120V MIN.
 HOUSING: HIGH TEMP. THERMOPLASTIC, UL94V-0 GLASS FILLED,
 COLOR: BLACK
 POWER CONTACTS: COPPER ALLOY

mat'l. code		surface ISO 1302 ✓		tolerance ISO 406 ISO 1101		projection MM		product family Power blade	
l/tec n o		dr		date		tolerances unless otherwise specified		title	
B						linear		PowerBlade 3Acp Cable Assembly	
						angles		scale 4	
								dwg no sheet 2 of 2 size	
								10080594-4ED0199LF A3	
								Type Customer Drawing	
sheet		revision		B					
index		sheet		2					