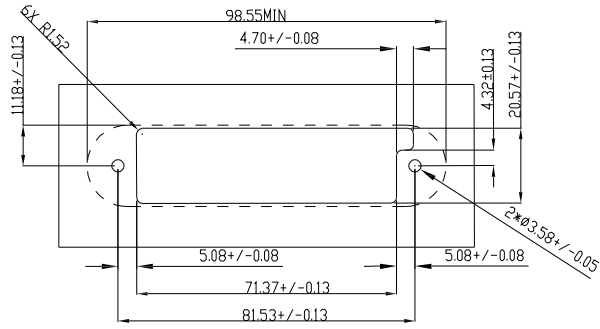
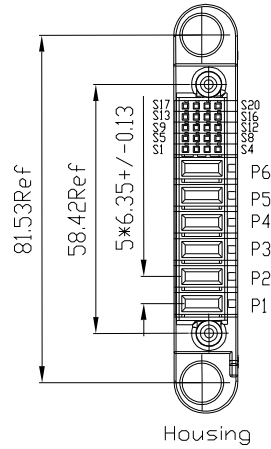


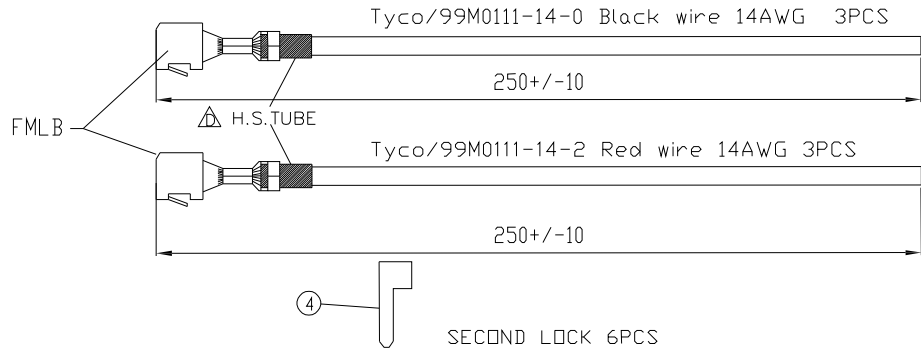
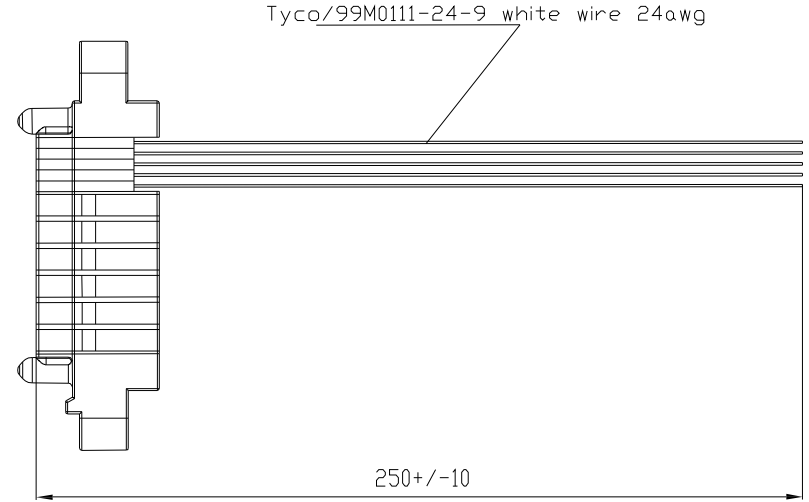
FCI PN NOTE3
10080594-4RB0026LF



Recommended panel cutout



Housing



SECOND LOCK 6PCS

Pin Out

Housing	WIRE Description
P1	N/A
P2	N/A
P3	N/A
P4	N/A
P5	N/A
P6	N/A
S1	White 24awg
S2	White 24awg
S3	White 24awg
S4	White 24awg
S5	White 24awg
S6	White 24awg
S7	White 24awg

Housing	WIRE Description
S8	White 24awg
S9	White 24awg
S10	White 24awg
S11	White 24awg
S12	White 24awg
S13	White 24awg
S14	White 24awg
S15	White 24awg
S16	White 24awg
S17	White 24awg
S18	White 24awg
S19	White 24awg
S20	White 24awg

NOTES:

1. DEFINE THE PART NUMBER SCHEME FOR THE CABLE ASSEMBLY, REFER TO 10080594
2. LEAD FREE PRODUCTS MEET EUROPEAN UNION DIRECTIVES AND OTHER COUNTRY REGULATIONS AS AS DESCRIBED IN GS-22-008
3. CONNECTOR ASSEMBLIES SHOWN ARE FOR REFERENCE ONLY AND MAY NOT SHOW ALL PART DETAIL. REFERENCE CONNECTOR ASSEMBLY DRAWING FOR COMPLETE DETAILS.
4. DON'T ASSEMBLY THE POWER WIRE WITH TERMINAL AND SECOND LOCK, THEY WILL BE PACKAGED TOGETHER WITH HOUSING WITH SIGNAL WIRE

spec ref	-	dr	William He	2015-04-13	projection		size	A3	scale	N/A									
tolerance std	TOLERANCES UNLESS OTHERWISE SPECIFIED	eng	William He	2015-04-13		mm	ecn no	ECN-ELX-N-20686	rel level	-									
-		chr	Guo-Feng Jin	2015-04-13							app	Guo-Feng Jin	2015-04-13	product family					
surface	<table border="1"> <tr><td>linear</td><td>0.X</td><td>± -</td></tr> <tr><td></td><td>0.XX</td><td>± 0.25</td></tr> <tr><td></td><td>0.XXX</td><td>± -</td></tr> <tr><td>angular</td><td>0°</td><td>± -</td></tr> </table>	linear	0.X	± -		0.XX	± 0.25		0.XXX	± -	angular	0°	± -			title BARKLIP CABLE ASSEMBLY		dwg no 10080594-4RB0026LF	rev D
linear	0.X	± -																	
	0.XX	± 0.25																	
	0.XXX	± -																	
angular	0°	± -																	
		www.fci.com	cat. no.	Customer Drawing			sheet 1 of 1												

Copyright FCI