

PRODUCT NO.	CUSTOMER P/N.
10083495-001LF	925001252
10083495-002LF	100749735



NOTES:

1. MATERIALS:

A. HOUSING:

HIGH TEMPERATURE THERMOPLASTIC MATERIAL (LCP), UL 94V-0,
COLOR: BLACK.

B. CONTACTS : PHOSPHOR BRONZE, BRASS C2600 OR BRASS C26800.

2. FINISH:

2.1) SATA SIGNAL PINS: (MATING SIDE)

1.27µm MINIMUM, 2.54µm MAXIMUM NICKEL UNDER
PLATE WITH 0.38µm MINIMUM GOLD IN CONTACT AREA AND
1.91µm MINIMUM 100% MATTE TIN (LEAD FREE) ON SOLDER TAIL.

2.2) 2mm PINS (MATING SIDE)

1.27µm MINIMUM, 2.54µm MAXIMUM NICKEL UNDER
PLATE WITH 0.076µm MINIMUM GOLD IN CONTACT AREA AND
1.91µm MINIMUM 100% MATTE TIN (LEAD FREE)
ON SOLDER TAIL.

3. PART MARKING: DUAL CUSTOMER P/NS., VENDOR ID AND DATE CODE SHALL
BE MARKED ON THE SURFACE OF THE CONNECTOR APPROXIMATELY WHERE SHOWN.

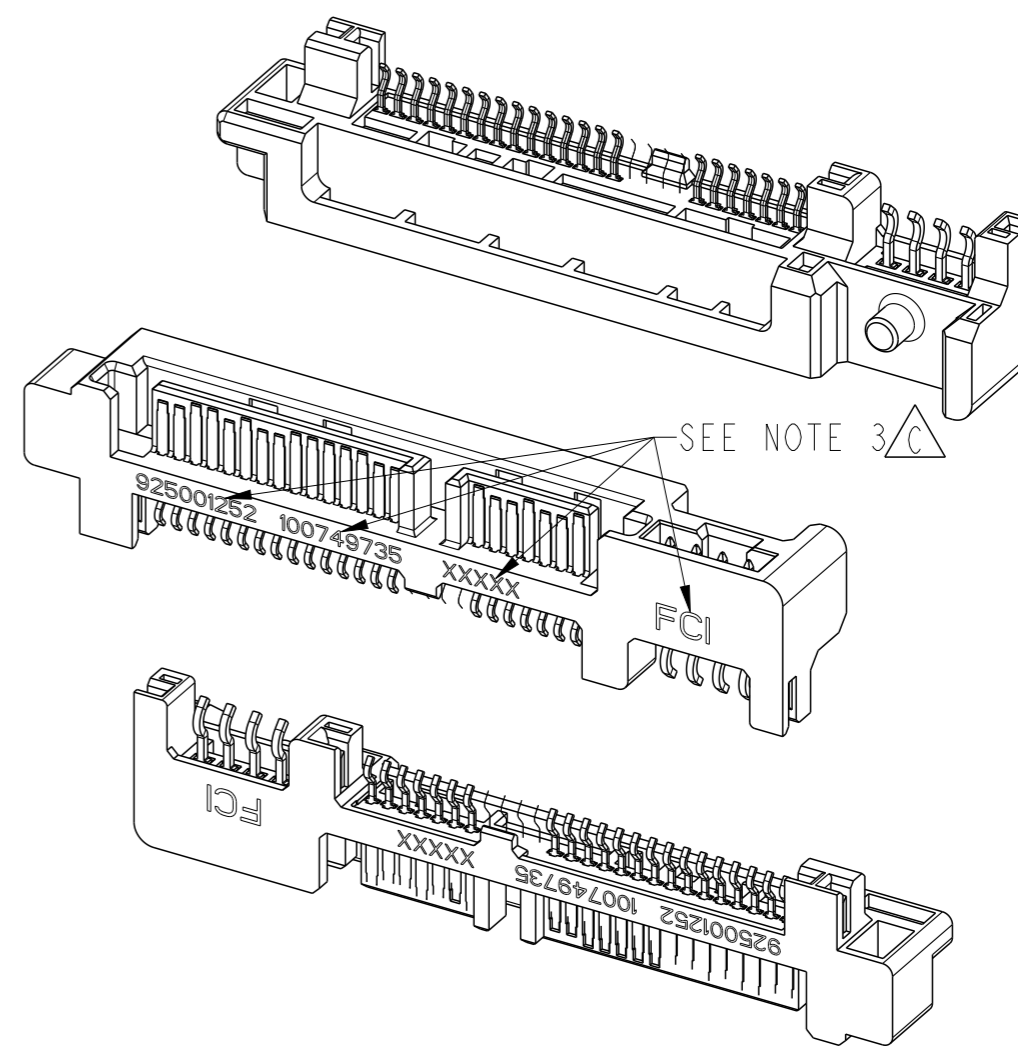
4. PRODUCT SPECIFICATION: GS-12-194

5. PACKAGING SPECIFICATION: GS-14-450

6. THIS PRODUCT MEETS EUROPEAN UNION DIRECTIVES AND OTHER
COUNTRY REGULATIONS AS DESCRIBED IN GS-47-0004

7. THE HOUSING WILL WITHSTAND EXPOSURE TO 260°C PEAK TEMPERATURE FOR
10 SECONDS IN A CONVECTION, INFRA-RED OR VAPOR PHASE REFLOW OVEN

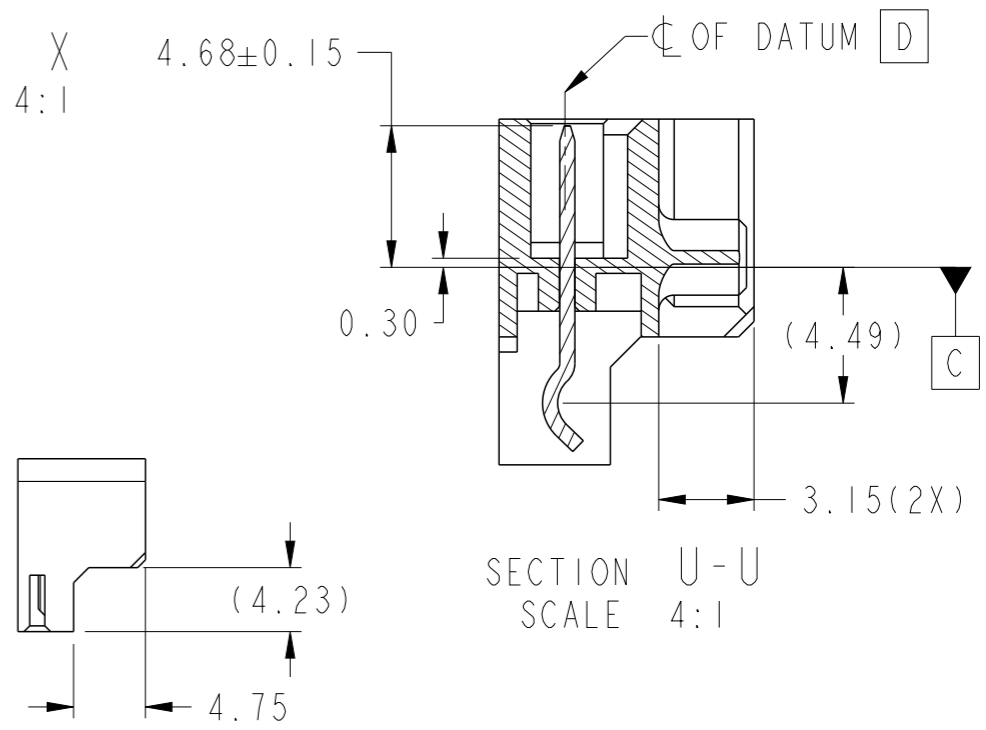
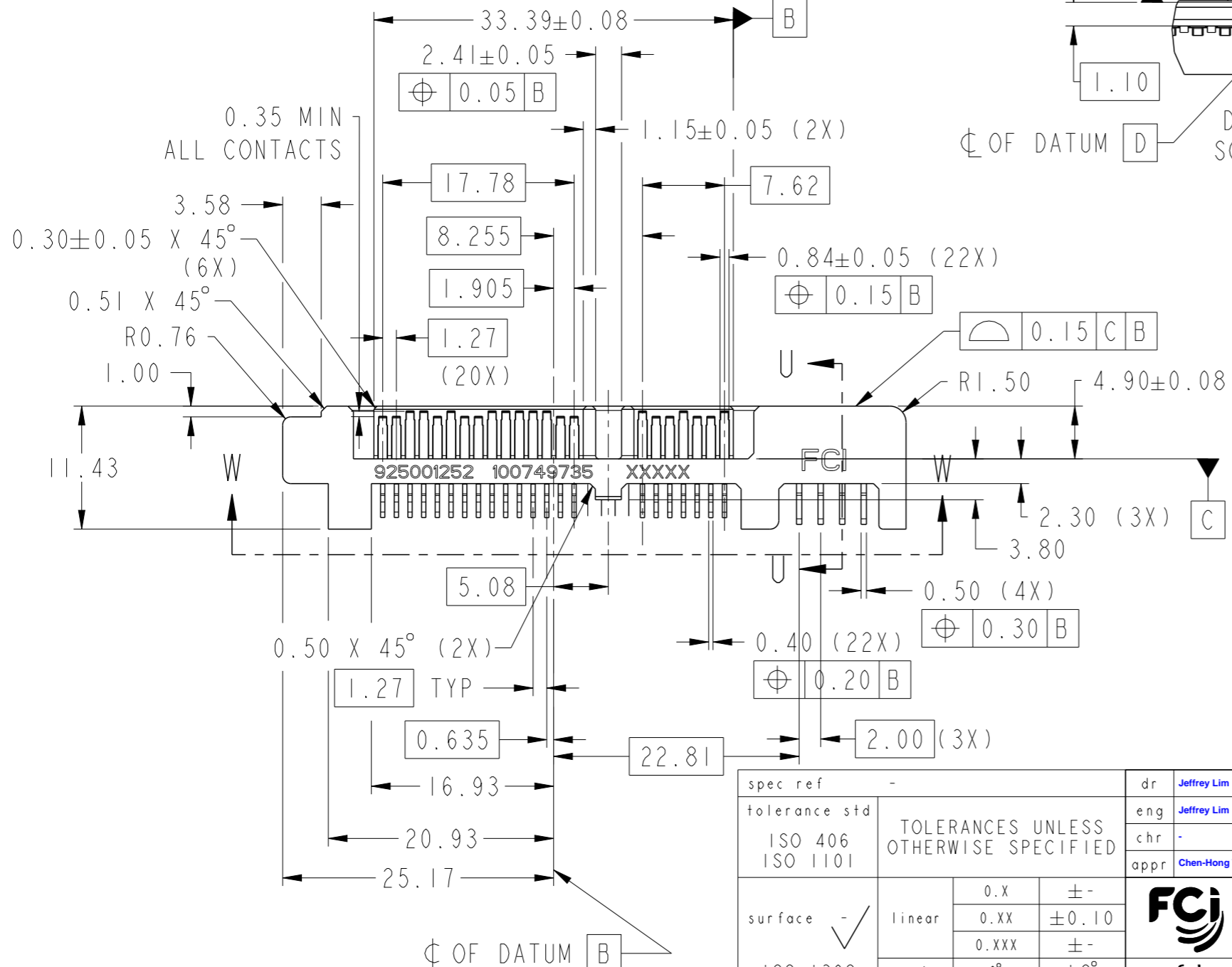
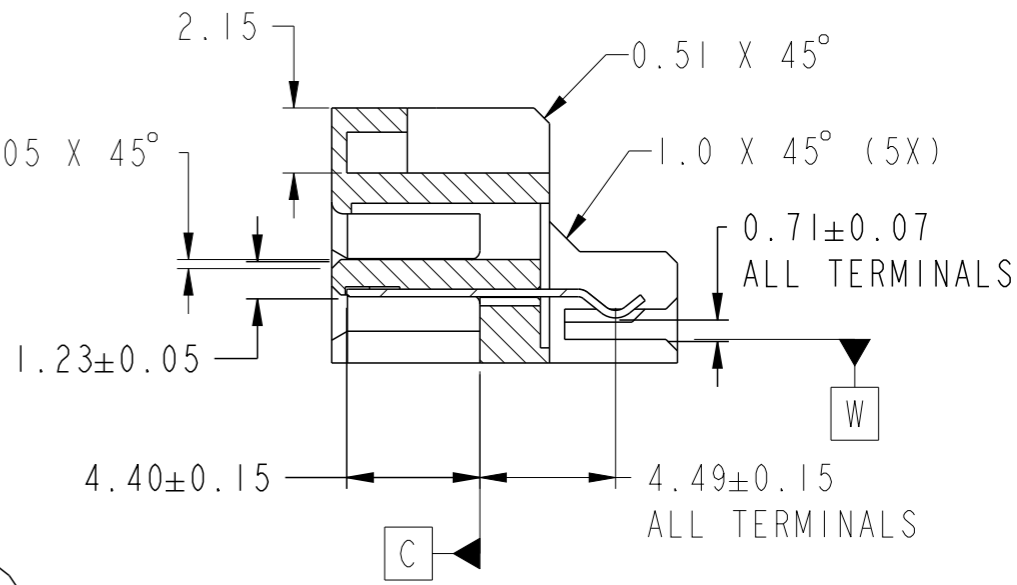
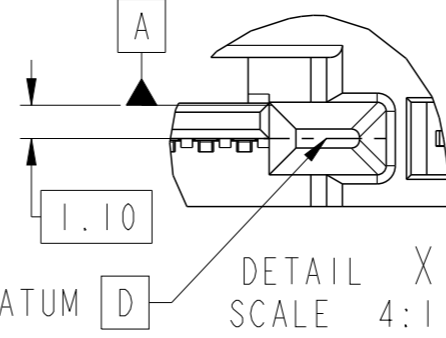
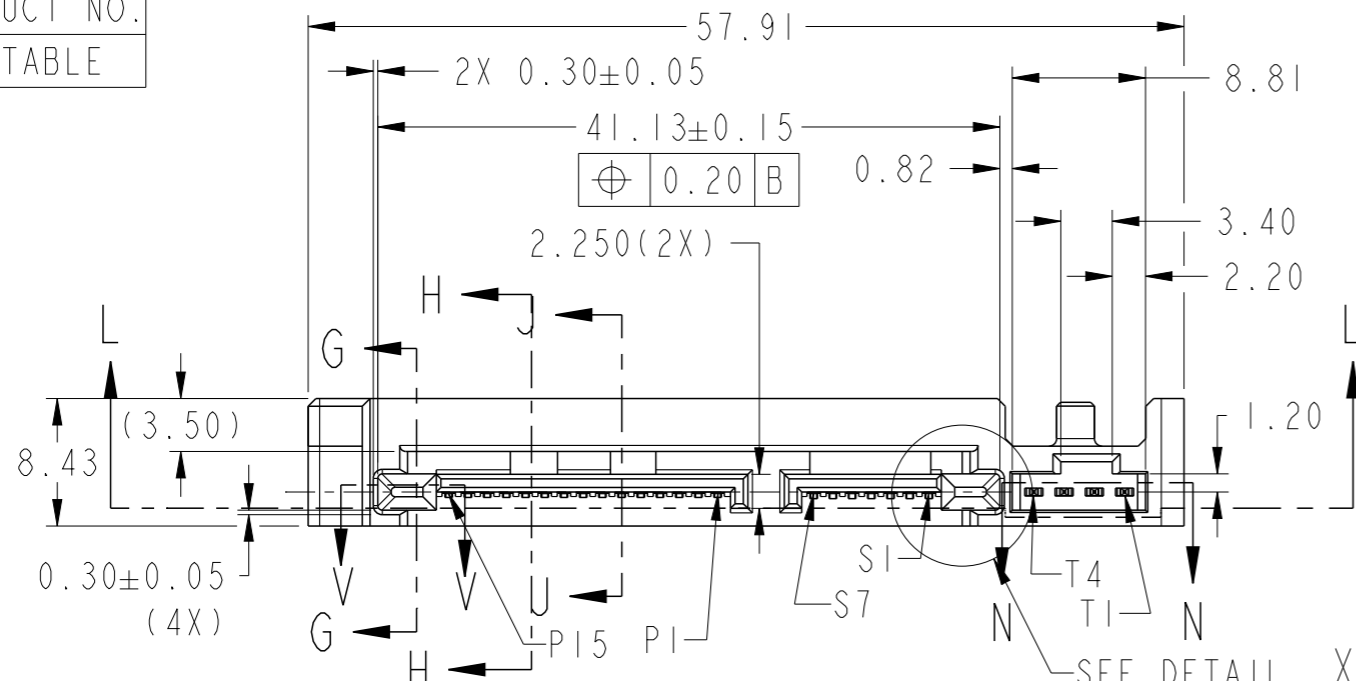
8. A SYMBOL WILL BE NEXT TO ANY DIMENSION, VIEW OR NOTE
WHICH HAS BEEN MODIFIED WITH THE CURRENT DRAWING REVISION.



Copyright FCI.

spec ref	-	dr	Jeffrey Lim	2014/07/10	projection	MM	size	A3	scale	2:1
tolerance std	ISO 406 ISO 1101	eng	Jeffrey Lim	2014/07/15		← →	ecn no	ELX-S-18288-1		
TOLERANCES UNLESS OTHERWISE SPECIFIED		chr	-	-				rel level	Released	
surface	✓	appr	Chen-Hong Tan	2014/07/17	product family	-	dwg no	10083495	rev	C
ISO 1302	linear	0.X	±-		title	SATA COMBO PLUG	cat. no.	-	Product - Customer Drw	sheet 1 of 4
		0.XX	±0.10							
		0.XXX	±-							
	angular	0°	±2°	www.fci.com						

PRODUCT NO.
SEE TABLE

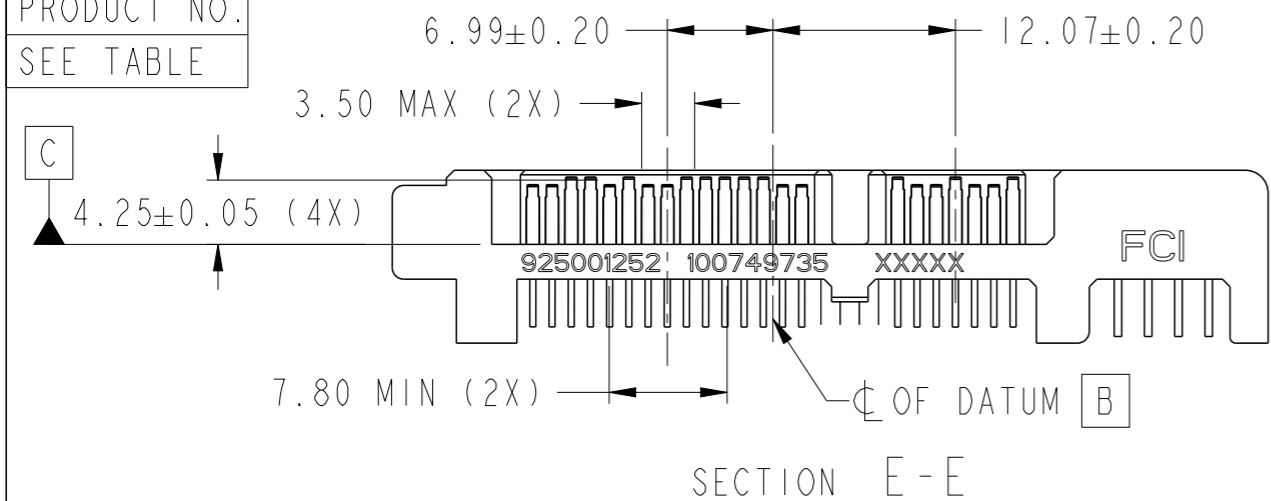


spec ref	-	dr	Jeffrey Lim	2014/07/10
tolerance std	ISO 406 ISO 1101	eng	Jeffrey Lim	2014/07/15
	TOLERANCES UNLESS OTHERWISE SPECIFIED	chr	-	-
surface		✓	appr	Chen-Hong Tan
	linear	0.X	±-	
		0.XX	±0.10	
		0.XXX	±-	
	angular	0°	±2°	

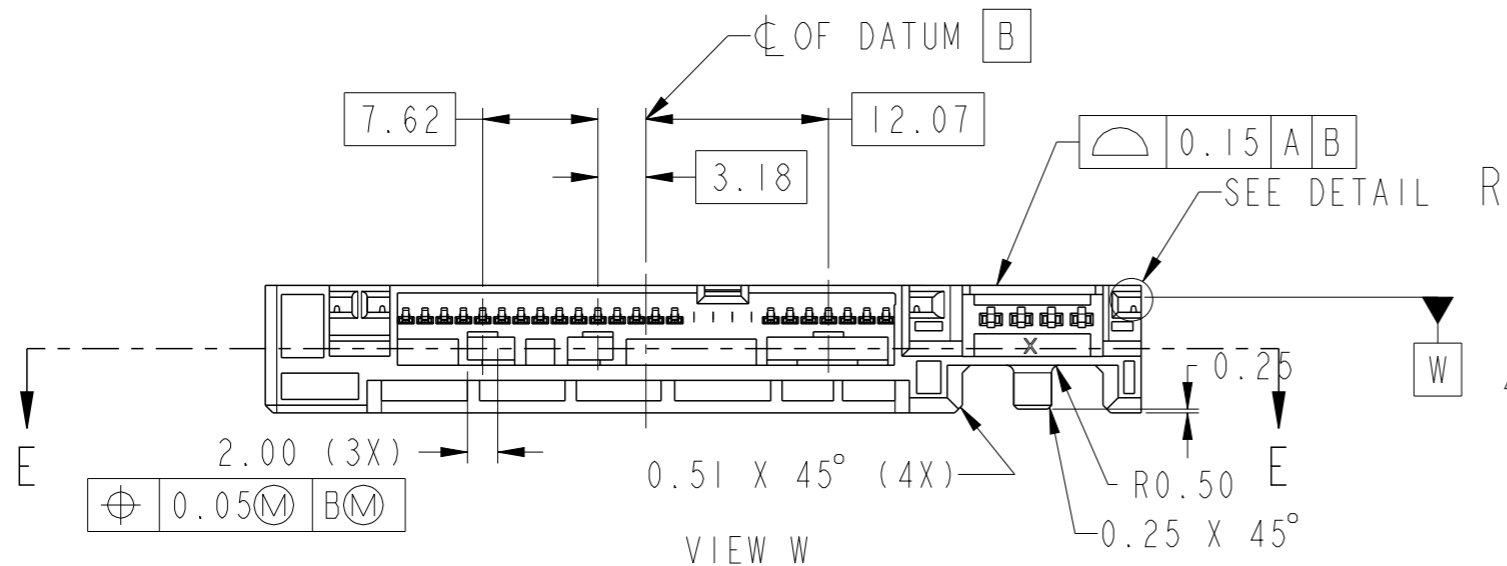
projection	MM	size	A3	scale	2:1
ecn no	-		ELX-S-18288-1		
product family	-		rel level		Released
title	SATA COMBO PLUG		dwg no	10083495	
cat. no.	-		Product - Customer Drw	sheet 2 of 4	

Copyright FCI.

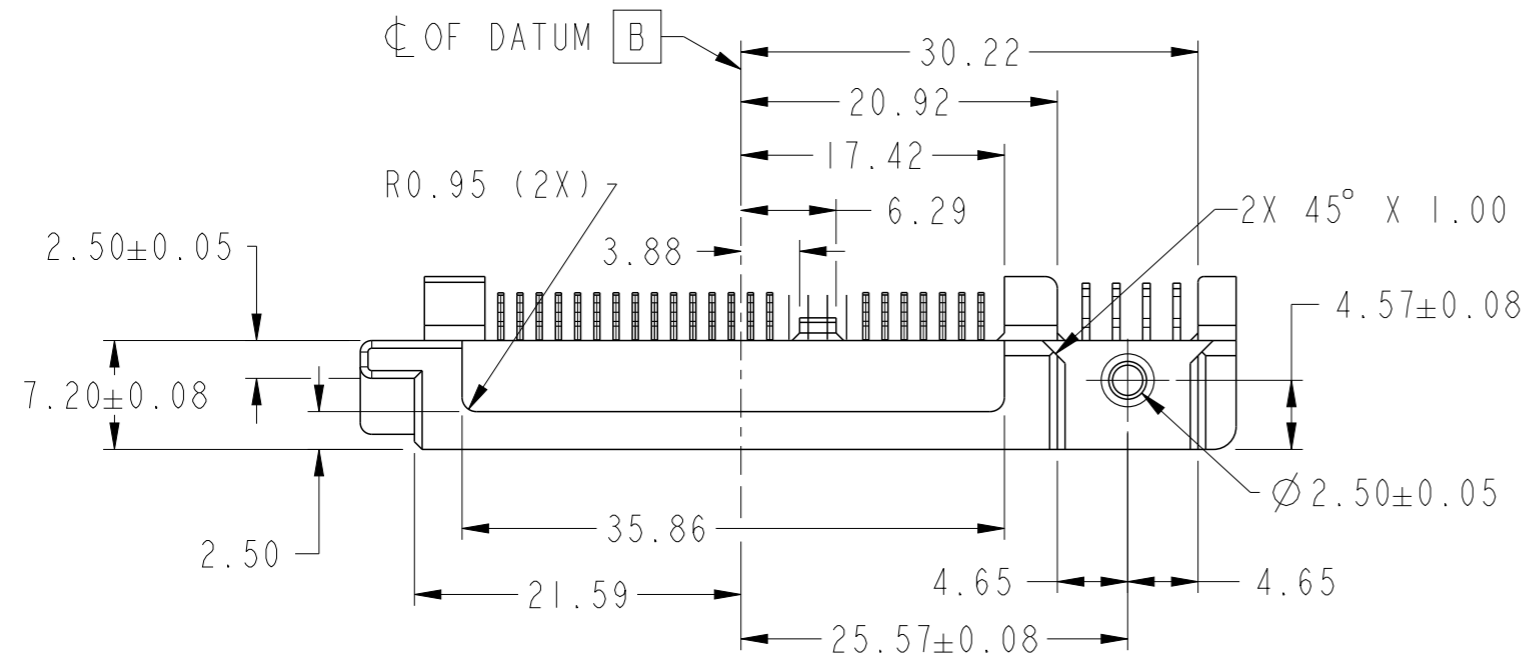
PRODUCT NO.
SEE TABLE



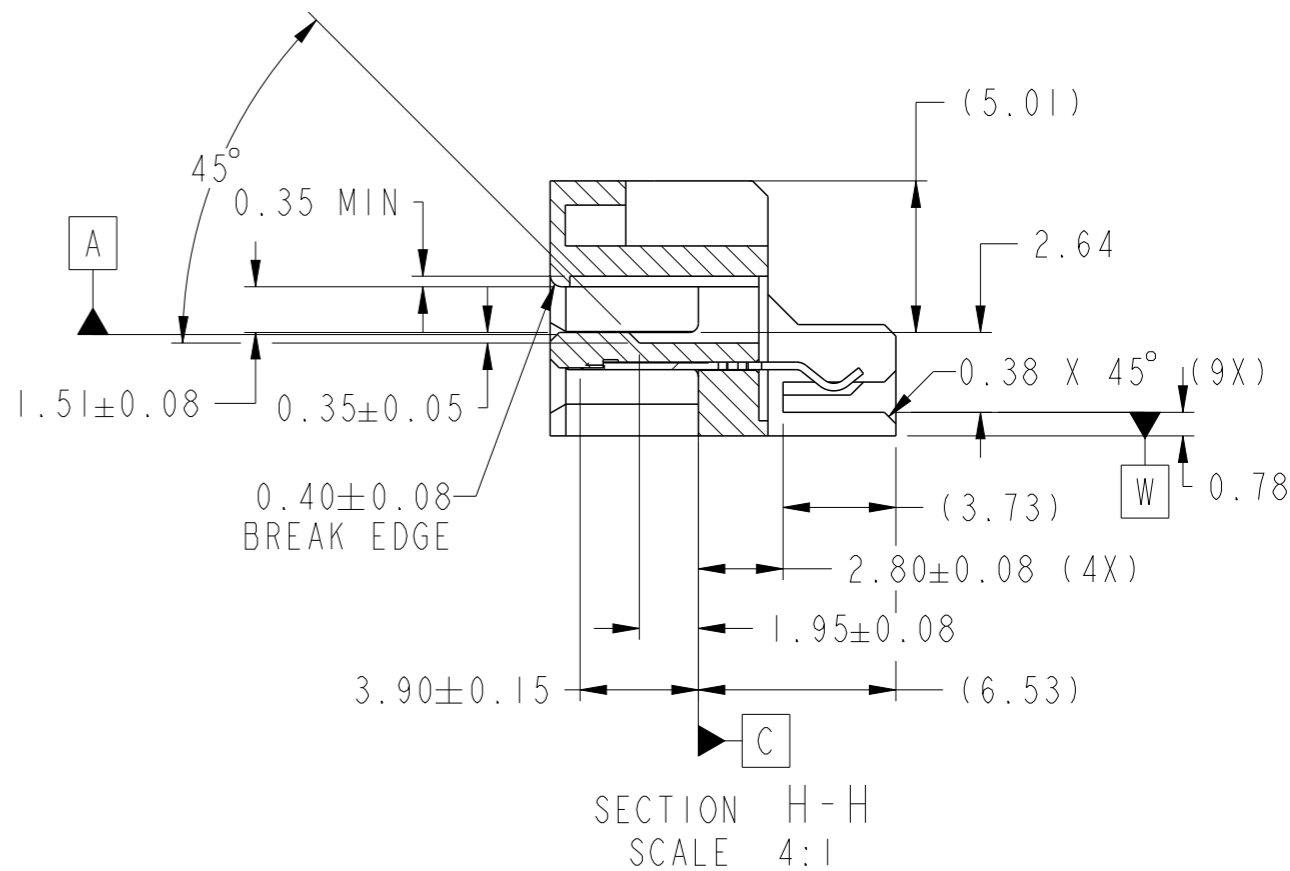
SECTION E-E



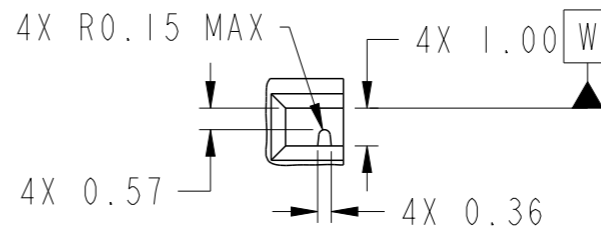
VIEW W



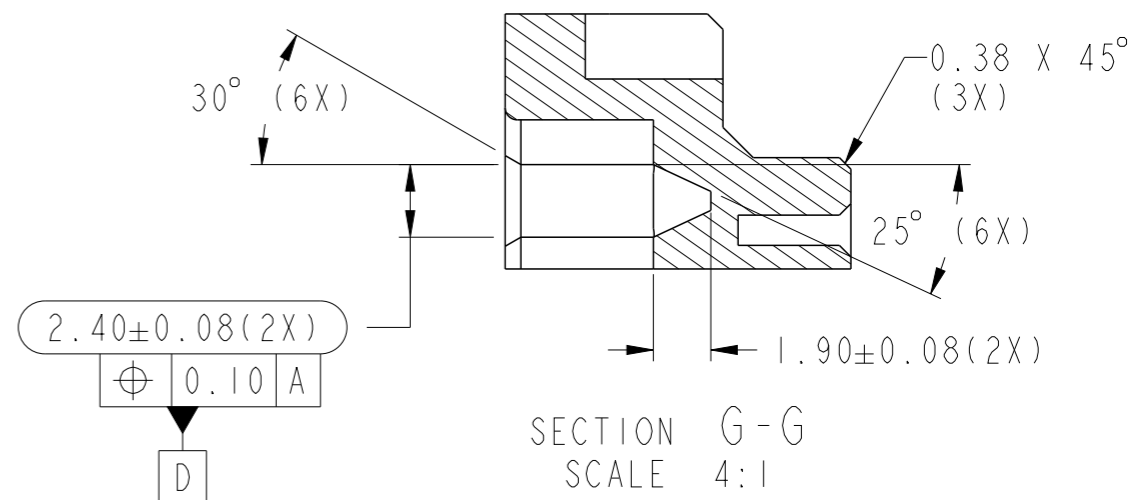
SECTION G-G
SCALE 4:1



SECTION H-H
SCALE 4:1



DETAIL R
SCALE 5:1



SECTION G-G
SCALE 4:1

spec ref	-	dr	Jeffrey Lim	2014/07/10	projection	MM	size	A3	scale	2:1
tolerance std	ISO 406 ISO 1101	eng	Jeffrey Lim	2014/07/15			ecn no	ELX-S-18288-1	rel level	Released
TOLERANCES UNLESS OTHERWISE SPECIFIED		chr	-	app						
surface		linear	0.X	±-		SATA COMBO PLUG	dwg no 10083495	rev C	ISO 1302	angular 0° ±2°
			0.XX	±0.10						
			0.XXX	±-	www.fci.com	cat. no.	-	Product - Customer Drw	sheet 3 of 4	

dr	Jeffrey Lim	2014/07/10	projection	MM	size	A3	scale	2:1	
eng	Jeffrey Lim	2014/07/15			ecn no	ELX-S-18288-1	rel level	Released	
chr	-	app							Chen-Hong Tan
surface		linear	0.X	±-		SATA COMBO PLUG	dwg no 10083495	rev C	
			0.XX	±0.10					
			0.XXX	±-	www.fci.com	cat. no.	-	Product - Customer Drw	sheet 3 of 4