

1

2

3

4

Product number  
SEE TABLE, SHT 5

A

B

C

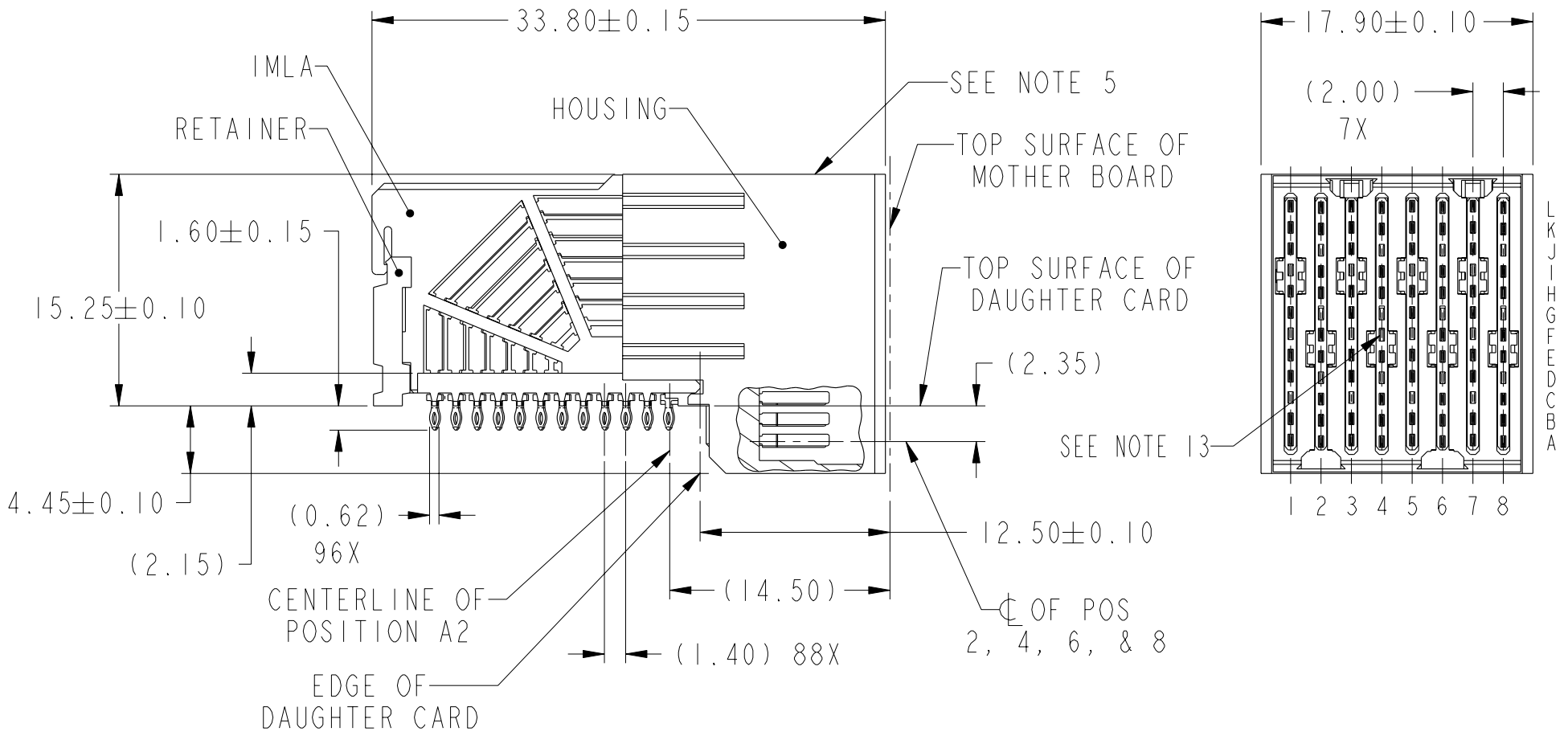
D

A

B

C

D



Copyright FCI.

rev	ecn no	dr	date
A	S08-0174	CH	2008-06-02
B	S08-0187	CH	2008-06-13
C	S08-0251	CH	2008-07-31
-	-	-	-
-	-	-	-
-	-	-	-
-	-	-	-

www.fciconnect.com		surface - ASME Y14.5	tolerance std ASME Y14.5	projection MM
		TOLERANCES UNLESS OTHERWISE SPECIFIED		
Dr	C. H. TAN	2008-06-02	ANGULAR	0.X ±
Eng	C. H. TAN	2008-06-02	LINEAR	0.XX ±
Chr	C. H. TAN	2008-07-31	0° ±	0.XXX ±
Appr	JOEY NG	2008-07-31	Product family	AirMax VS
			Spec ref	ECN ***
FCI			AirMax VS R/A HEADER ASSY	size A4
			PRESS-FIT, 96 POS, 18MM	Scale 5:2
			catalog no	10084584
			CUSTOMER	Rev. C
			sheet 1 of 5	

REV F - 2006-04-17

2

PDM: Rev:C

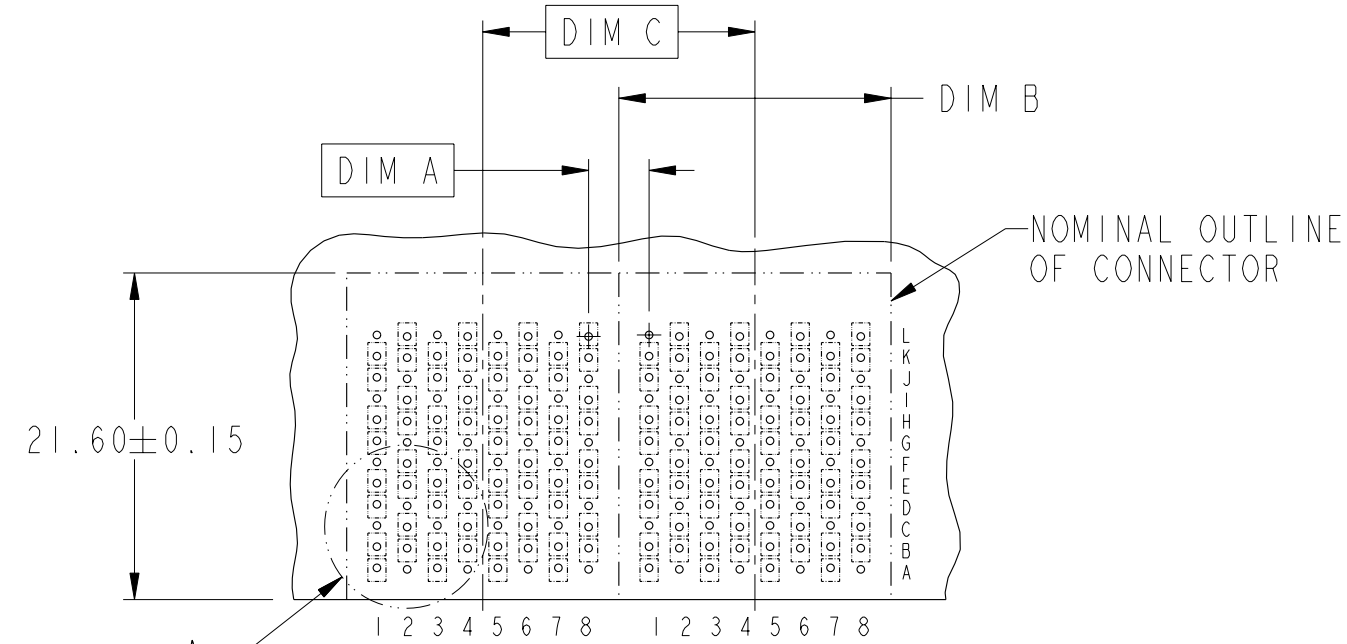
STATUS: Released

Printed: Dec 01, 2010



Copyright FCI.

DESCRIPTION	DIM A	DIM B	DIM C
2-18MM MODULES PLACED END-TO-END	4.00	17.90 2X	18.00
1-16MM MODULE & 1-18MM MODULE PLACED END-TO-END	3.00	15.90 1X & 17.90 1X	17.00

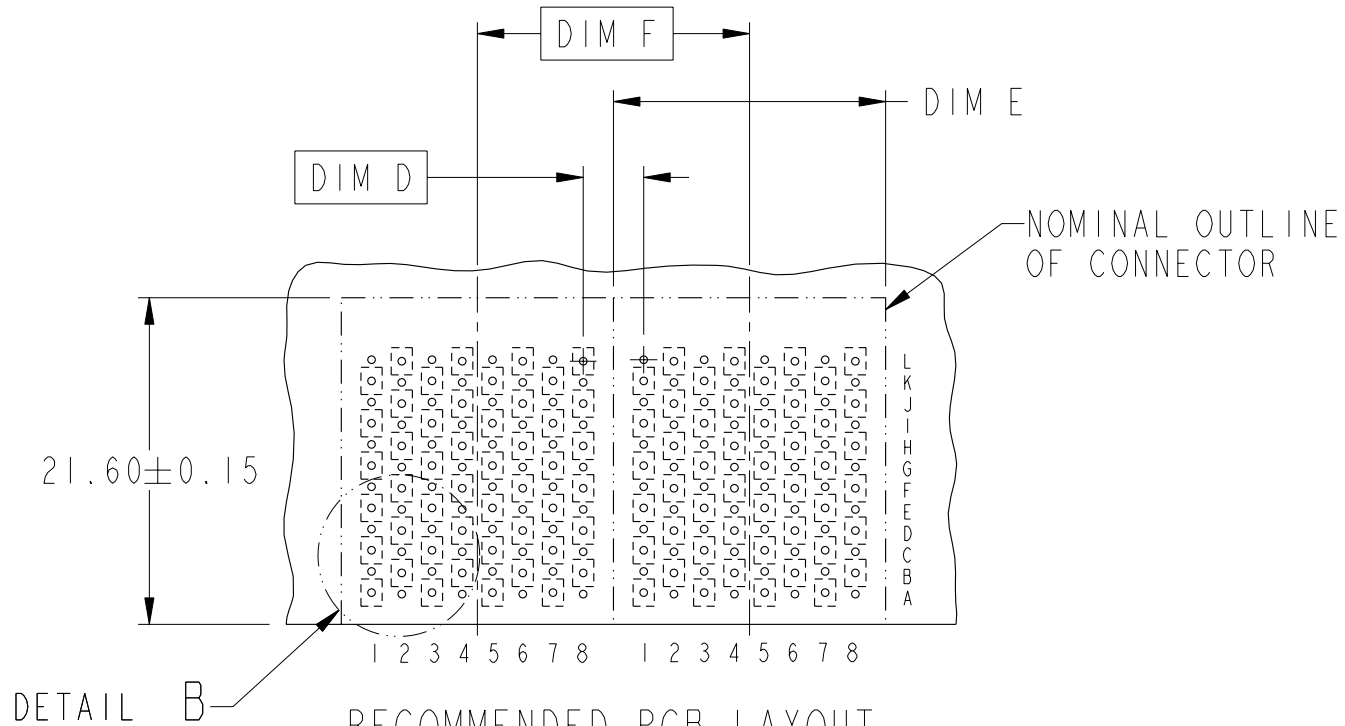


RECOMMENDED PCB LAYOUT  
FOR DIFFERENTIAL APPLICATIONS  
COMPONENT SIDE  
(TWO ADJACENT FOOTPRINTS SHOWN)  
NOTES 6 & 7



TITLE	AirMax VS R/A HEADER ASSY		dwg no	10084584	Rev.	C
	PRESS-FIT, 96 POS, 18MM					
catalog no			-	CUSTOMER	sheet 2 of 5	

DESCRIPTION	DIM D	DIM E	DIM F
2-18MM MODULES PLACED END-TO-END	4.00	17.90 2X	18.00
1-16MM MODULE & 1-18MM MODULE PLACED END-TO-END	3.00	15.90 1X & 17.90 1X	17.00



RECOMMENDED PCB LAYOUT  
FOR SINGLE ENDED APPLICATIONS  
COMPONENT SIDE  
(TWO ADJACENT FOOTPRINTS SHOWN)  
NOTES 6 & 7



title AirMax VS R/A HEADER ASSY  
PRESS-FIT, 96 POS, 18MM  
catalog no -

dwg no 10084584

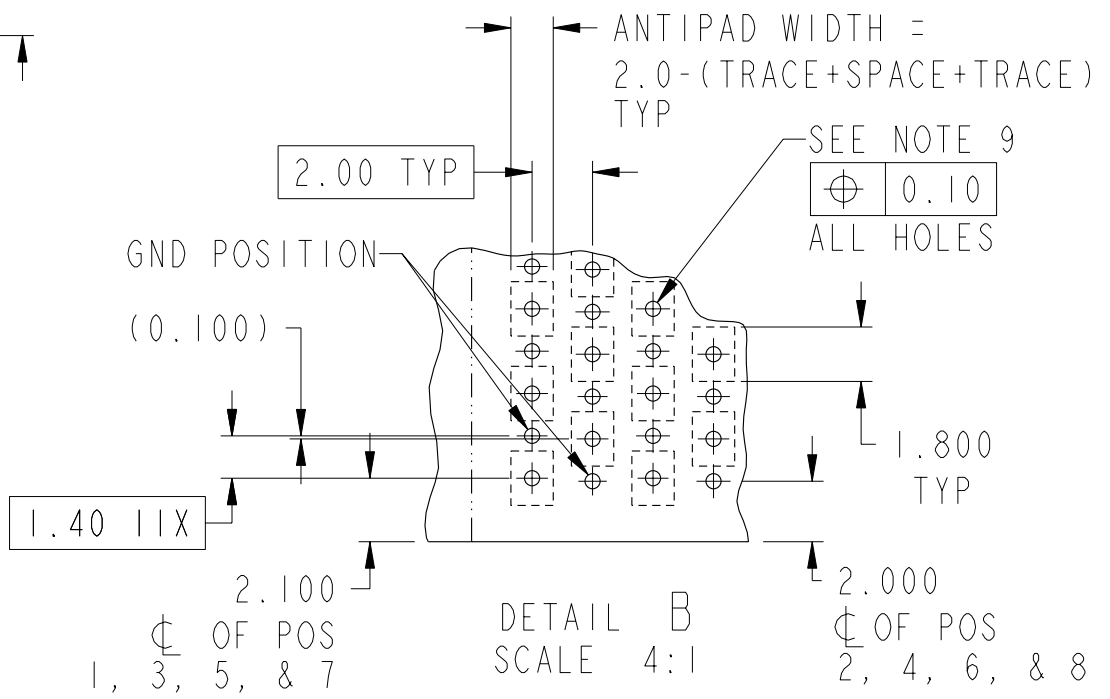
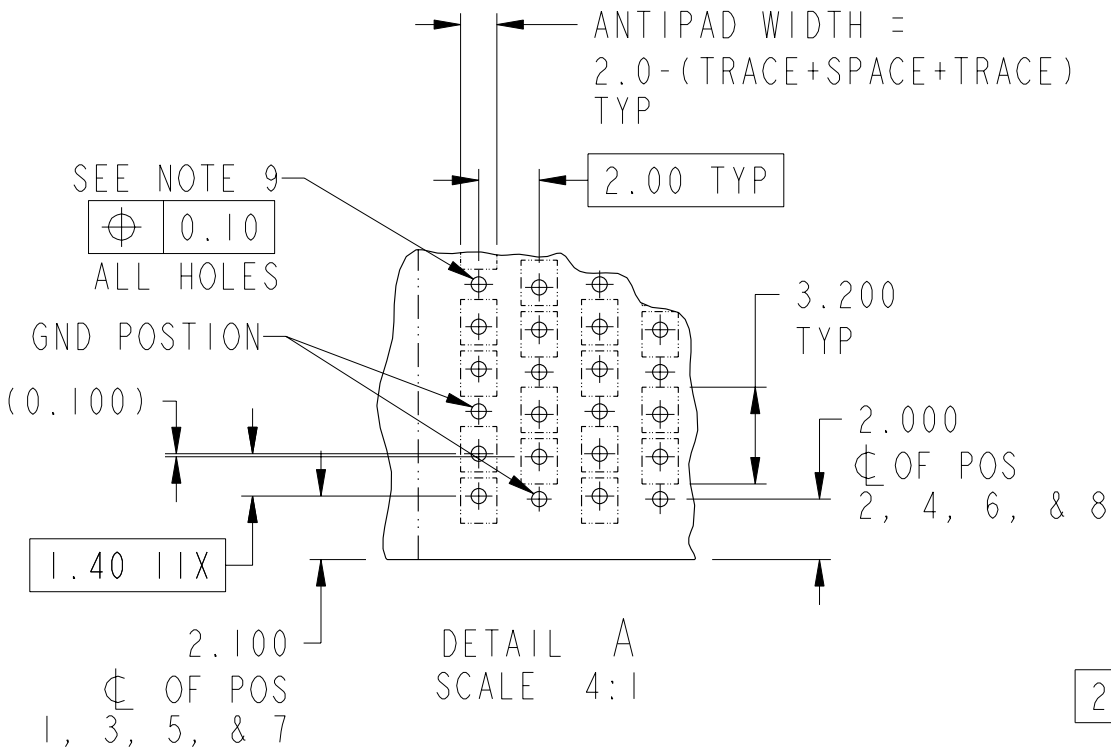
Rev. C

CUSTOMER sheet 3 of 5





Copyright FCI.



Part no AirMax VS R/A HEADER ASSY  
 title PRESS-FIT, 96 POS, 18MM  
 catalog no -

dwg no 10084584  
 CUSTOMER

Rev. C  
 sheet 4 of 5