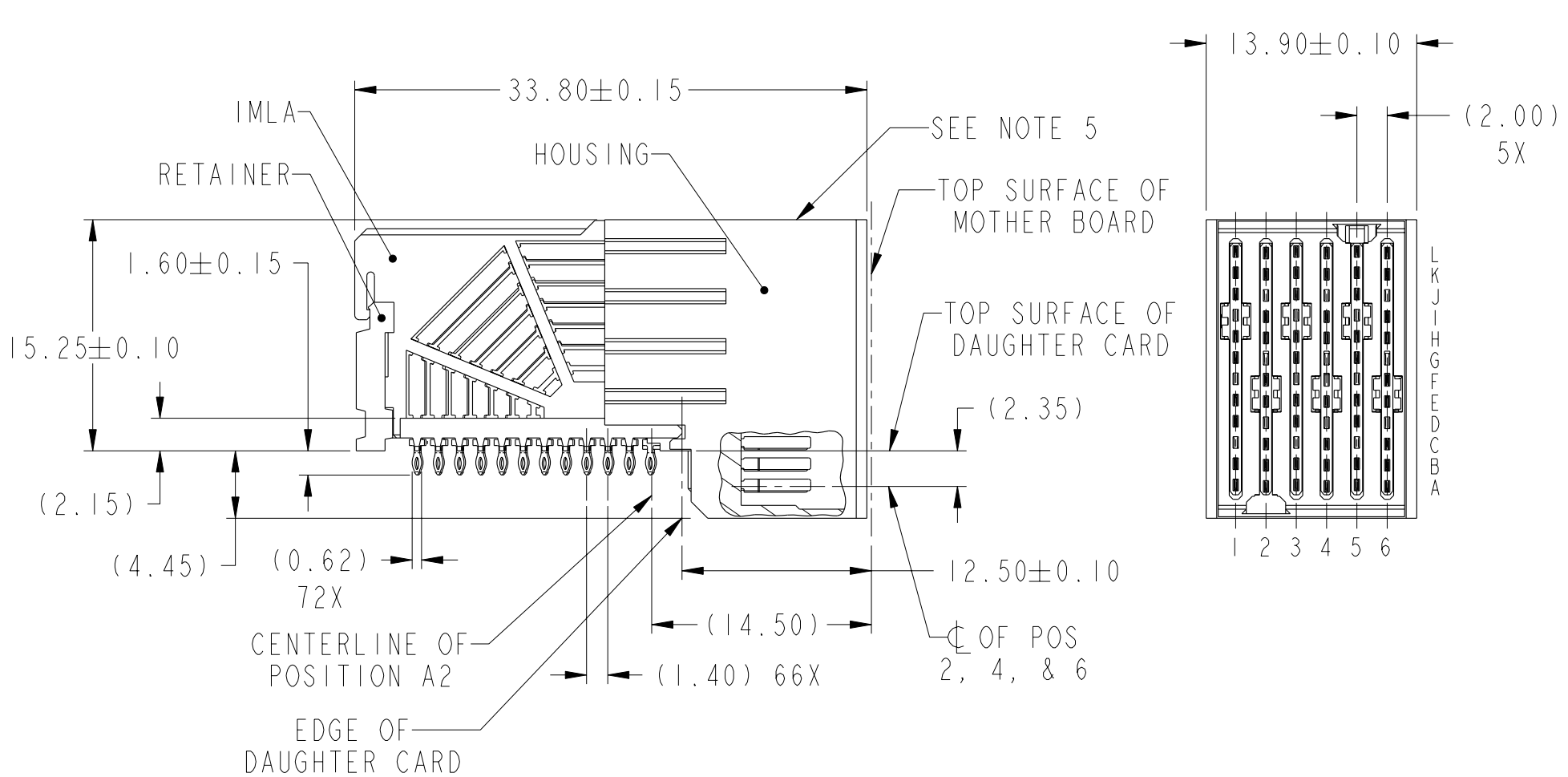


Product number  
SEE TABLE, SHT 5



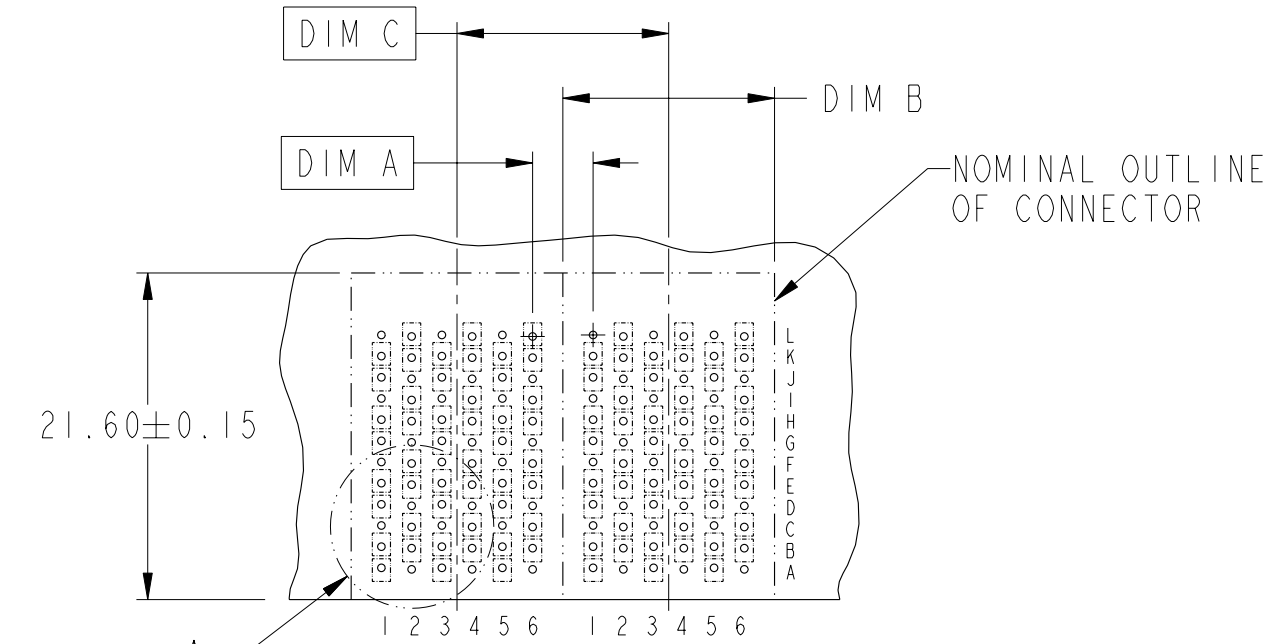
Copyright FCI.

rev	ecn no	dr	date
A	S08-0192	CH	2008-06-20
-	-	-	-
-	-	-	-
-	-	-	-
-	-	-	-
-	-	-	-

www.fciconnect.com		surface - ASME Y14.5	tolerance std ASME Y14.5	projection MM
		TOLERANCES UNLESS OTHERWISE SPECIFIED		
Dr	C. H. TAN	2008-06-20	ANGULAR	0.X ±
Eng	C. H. TAN	2008-06-20	LINEAR	0.XX ±
Chr	C. H. TAN	2008-06-20	0° ±°	0.XXX ±
Appr	JOEY NG	2008-06-20	Product family	AirMax VS
FCI		AirMax VS R/A HEADER ASSY		Spec ref
		PRESS-FIT, 72 POS, 14MM		dwg no
		catalog no		10084586
		CUSTOMER		Rev. A
		sheet 1 of 5		

REV F - 2006-04-17

DESCRIPTION	DIM A	DIM B	DIM C
2-14MM MODULES PLACED END-TO-END	4.00	13.90 2X	14.00
1-12MM MODULE & 1-14MM MODULE PLACED END-TO-END	3.00	11.90 1X & 13.90 1X	13.00

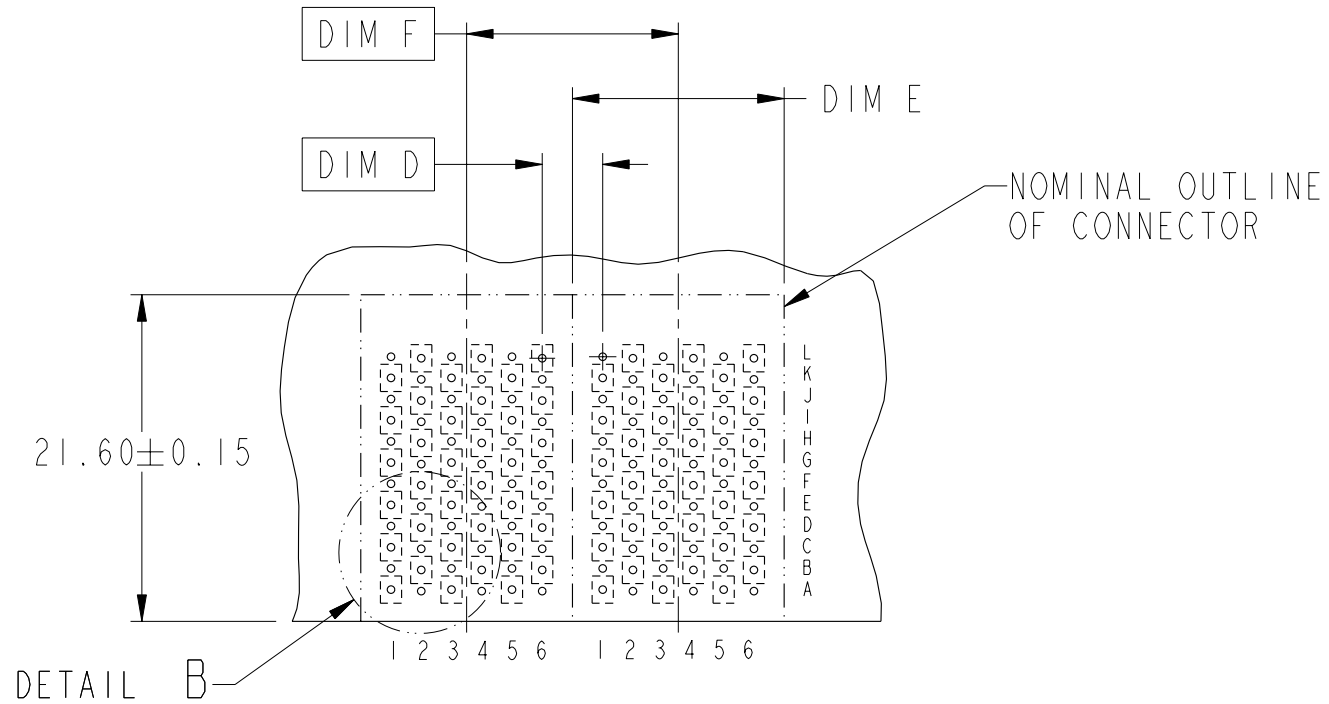


RECOMMENDED PCB LAYOUT  
FOR DIFFERENTIAL APPLICATIONS  
COMPONENT SIDE  
(TWO ADJACENT FOOTPRINTS SHOWN)  
NOTES 6 & 7

	title AirMax VS R/A HEADER ASSY PRESS-FIT, 72 POS, 14MM	dwg no 10084586	Rev. A
	catalog no -	CUSTOMER	sheet 2 of 5



DESCRIPTION	DIM D	DIM E	DIM F
2-14MM MODULES PLACED END-TO-END	4.00	13.90 2X	14.00
1-12MM MODULE & 1-14MM MODULE PLACED END-TO-END	3.00	11.90 1X & 13.90 1X	13.00



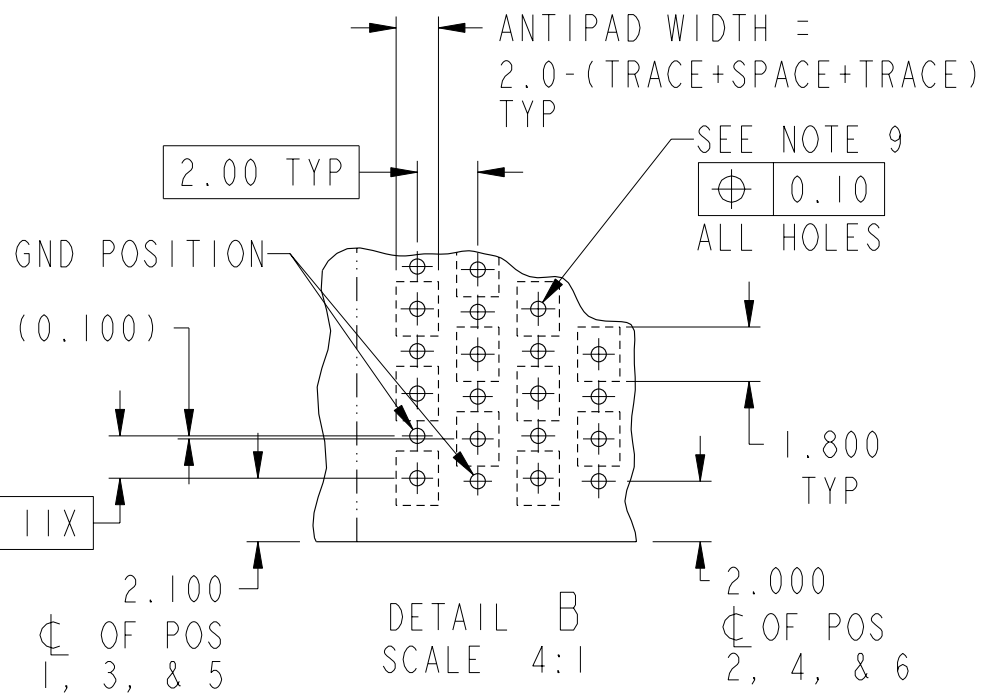
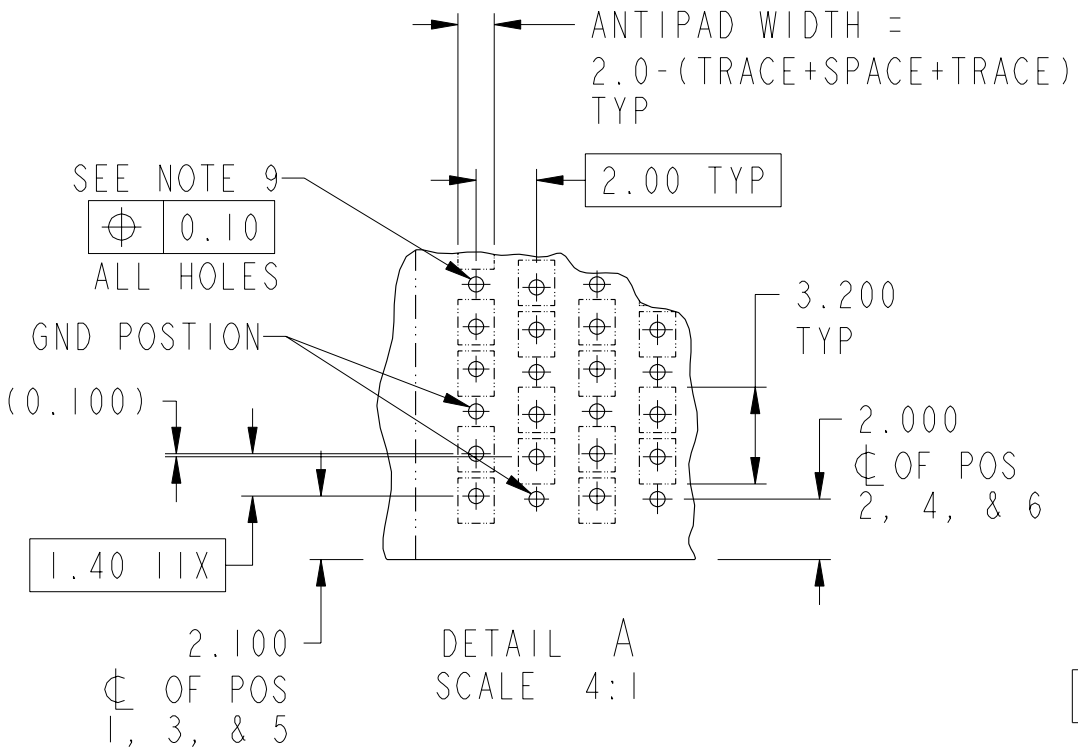
RECOMMENDED PCB LAYOUT  
FOR SINGLE ENDED APPLICATIONS  
COMPONENT SIDE  
(TWO ADJACENT FOOTPRINTS SHOWN)  
NOTES 6 & 7



title	AirMax VS R/A HEADER ASSY	dwg no	10084586	Rev.	A
	PRESS-FIT, 72 POS, 14MM				
catalog no	-	CUSTOMER	sheet 3 of 5		



Copyright FCI.



AirMax VS R/A HEADER ASSY  
 PRESS-FIT, 72 POS, 14MM  
 catalog no

dwg no 10084586  
 CUSTOMER

Rev. A  
 sheet 4 of 5