

10/100 BASE-T Single-Port TRANSFORMER MODULES

Military / Aerospace Grade



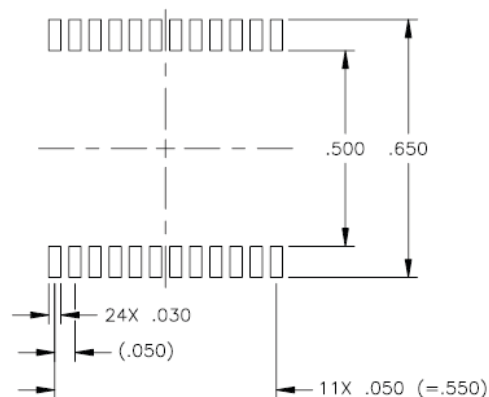
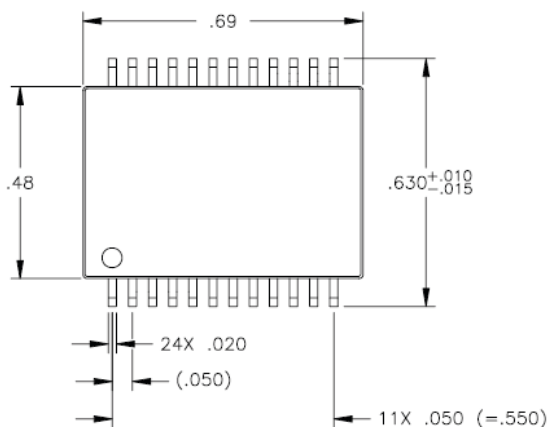
- Compliant with IEE 802.3u and ANSI X3.263 Standards
- 350µH OCL with 8mA bias at extended temperatures
- Operating Temperature:
 - 100B-1011: -40°C to +85°C
 - 100B-1011X: -55°C to +125°C - Extended Temperature
- IC grade transfer-molded package withstands 235°C peak profile
- Lead Finish Sn63/Pb37
- MSL: 3

Electrical Specifications @ 25°C - Storage Temperature -55°C to +125°C

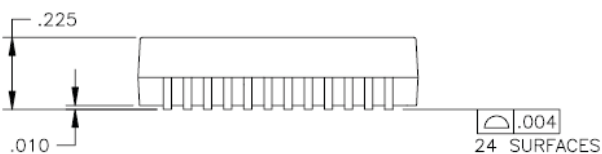
Part Number	Insertion Loss (dB MIN)	Return Loss (dB MAX)			Crosstalk □ □ □ □ □ □ □ □			DM to CM Rejection Ratio (dB MAX)		
		30 MHz	60 MHz	80 MHz	30 MHz	60 MHz	100 MHz	30 MHz	60 MHz	100 MHz
100B-1011	0.1-100 MHz	30 MHz	60 MHz	80 MHz	30 MHz	60 MHz	100 MHz	30 MHz	60 MHz	100 MHz
	-1.20	-18	-12	-12	-43	-37	-35	-42	-37	-33
100B-1011X	0.1-100 MHz	30 MHz	60 MHz	80 MHz	30 MHz	60 MHz	100 MHz	30 MHz	60 MHz	100 MHz
	-1.20	-18	-12	-12	-43	-37	-35	-42	-37	-33

Mechanical

100B-1011/X



SUGGESTED LAND PATTERN

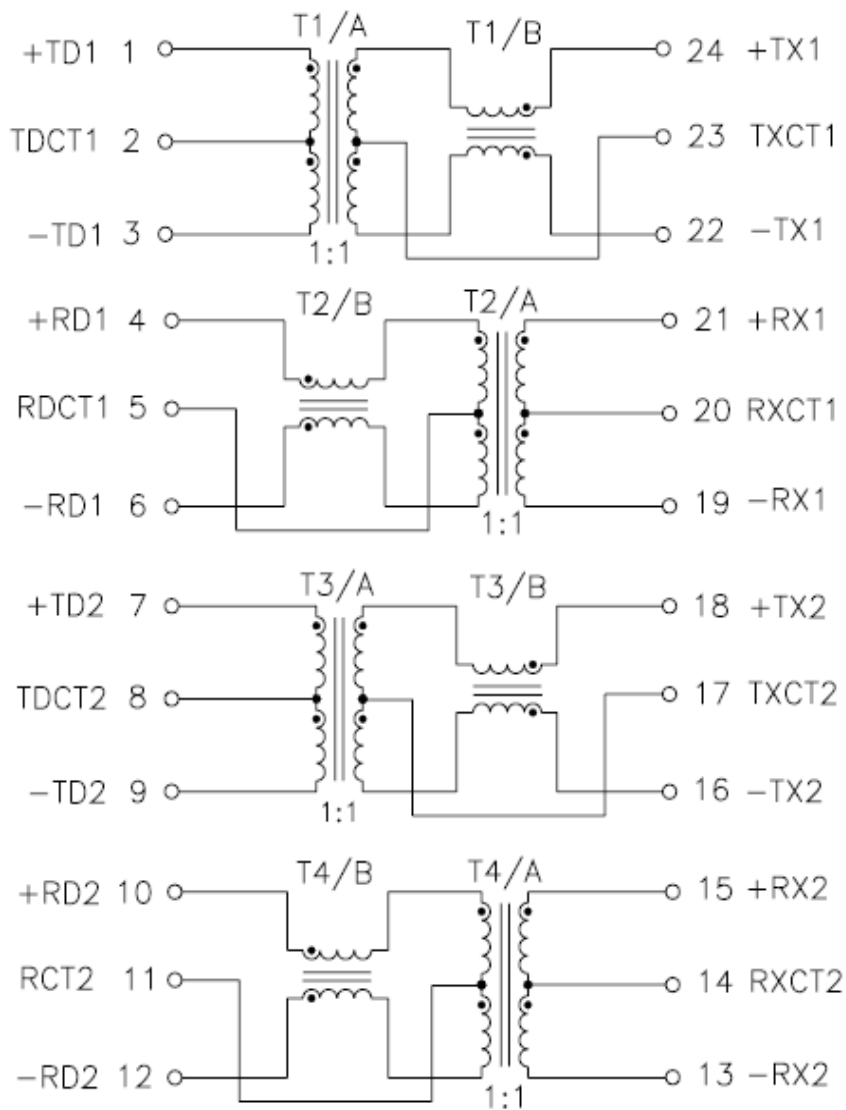


10/100 BASE-T Single Port TRANSFORMER MODULES

Military / Aerospace Grade

Schematic

100B-1011/X



SCHEMATIC

