

TFmini-i is an updated single-point ranging LiDAR based on TFmini-S. It has been optimized in communication interface, input voltage and reverse protection, making it meet different industrial applications.



### Main Product

#### Characteristics

- 7-30V wide range input voltage
- Reverse protection
- CAN/RS485 interface

### Main application

#### scenarios

- Pedestrian detection
- Vehicle testing
- Altitude

## ■ Technical specification parameters

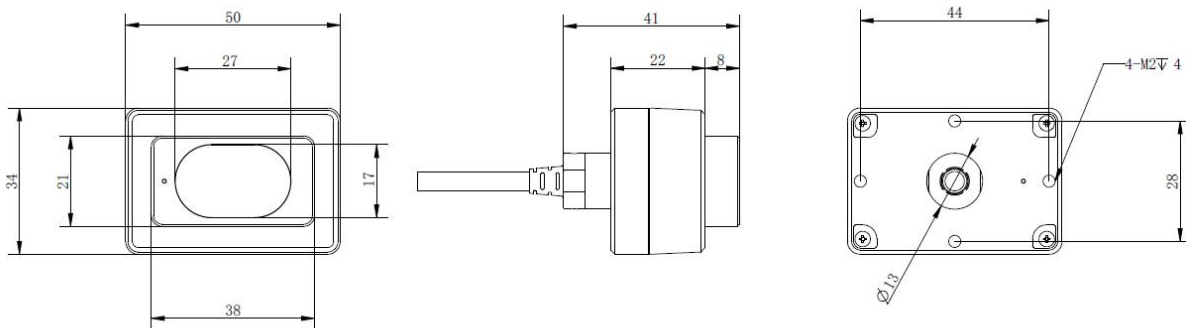
Parameters		Value
Product performance	Operating range	0.1m~12m@90% reflectivity 0.1~7m@10% reflectivity 0.1m~12m@90% reflectivity(70Klux) 0.1~7m@10% reflectivity(70Klux)
	Accuracy <sup>1</sup>	±6cm@(0.1-6m) ±1%@(6m-12m)
	Distance resolution	1cm
	Frame rate	100Hz
	Ambient light immunity	70Klux
	Operation temperature	-20°C~60°C
	Enclosure rating	IP65
Optical parameters	Light source	VCSEL
	Central wavelength	850nm
	Photobiological safety	Class1(EN60825)
	FOV	2°
Electrical parameters	Supply voltage	7~30V
	Average current	≤65mA@12V
	Power consumption	≤0.8W@12V

<sup>1</sup> The accuracy is measured at temperature of 25°C with white board (90% reflectivity). The error may be increased if condition changes;

	Peak current	100mA@12V	
	Communication interface	RS-485	CAN
<b>Others</b>	Dimension	50mm*34mm*41mm(L*W*H)	
	Shell material	PC/ABS/PMMA	
	Storage temperature	-30°C~75°C	
	Weight	52g	
	Cable length	70cm	

## Product appearance structure

Figure 1 Dimension of TFmini-i (Unit: mm)



## communication interface

Table 2 Communication Interface—RS485

Interface parameters	Default value
Baud rate	115200
Data bits	8
Stop bit	1
Parity	None

Table 3 Communication Interface—CAN

Interface parameters	Interface parameters
Baud rate	250kbps
Receive ID	0x00000003
Send ID	0x00000003
Frame format	Standard frame