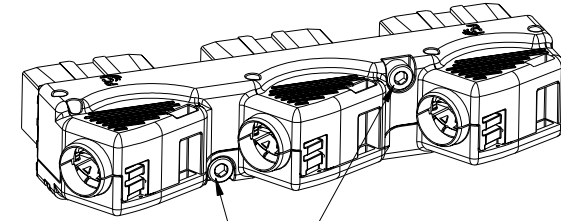
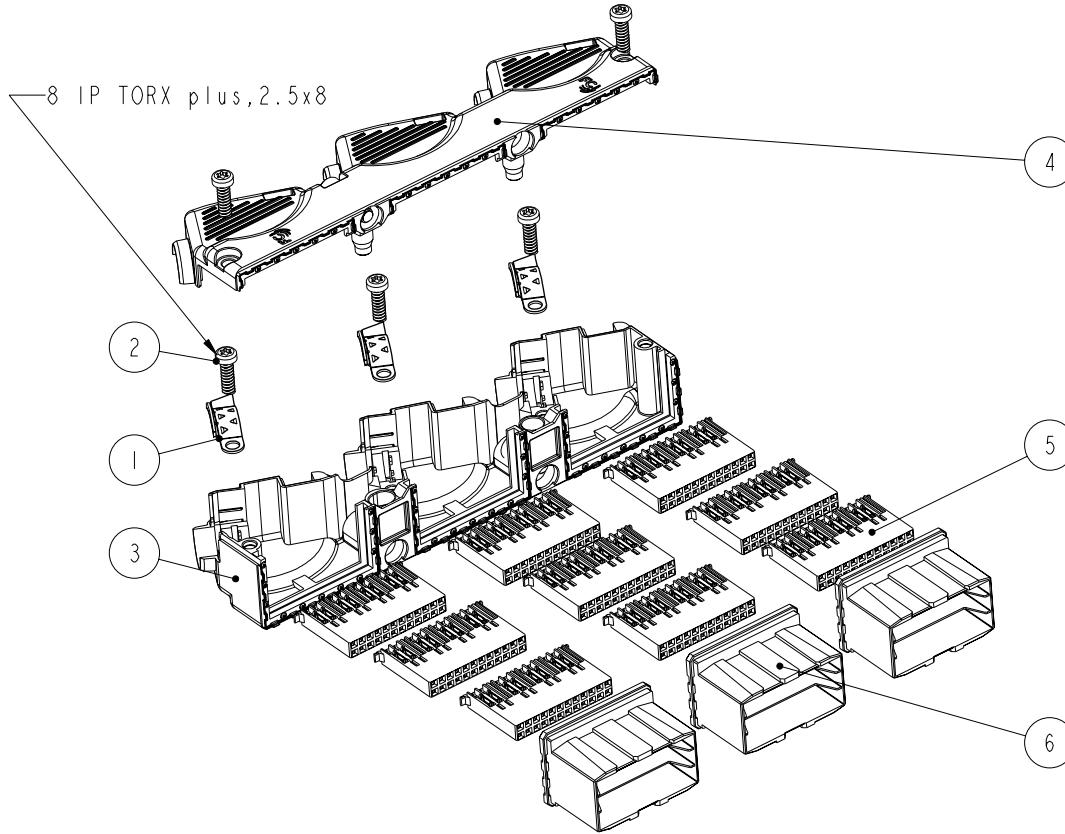


PART NUMBER:
10110224-101LF

72 Pair Cable Connector



Hexagon M2.5x3
(Pre-assembled in cover-parts)

6	SHROUD	3
5	TERMINAL BLOCK ASSEMBLY	9
4	SUB-ASS'Y TOP-COVER	1
3	SUB-ASS'Y BOTTOM-COVER	1
2	CONNECTOR SELF TAPPING SCREW	5
1	CLAMP	3
INDEX NO.	TITLE I	QTY



Copyright FCI.

rev	ecn no	dr	date
A	N10-0022	R.B	12/08/2009
-	-	-	-
-	-	-	-
-	-	-	-

www.fciconnect.com		surface ISO 1302	tolerance std ISO 406 / ISO 1101	projection mm	mm				
TOLERANCES UNLESS OTHERWISE SPECIFIED						Scale 3:2			
Dr	Rick Bian	12/08/2009	ANGULAR				0.x	±-	size A3
Eng	Rick Bian	12/08/2009	LINEAR				0.xx	±-	
Chr	Daniel Tao	12/08/2009	0° ±°	0.xxx	±-	ECN			
Appr	Joseph Hsia	12/08/2009	Product family	Metral	Spec ref				
			Title ASSEMBLY KIT		dwg no	10110224	Rev. A		
			METRAL HDXS CABLE CONNECTOR		CUSTOMER		sheet 1 of 4		
			catalog no						

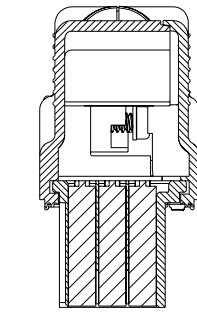
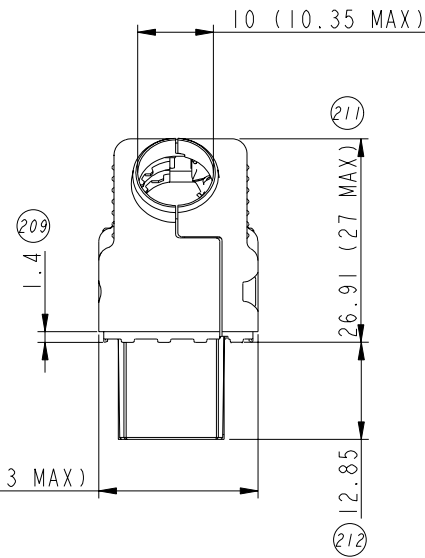
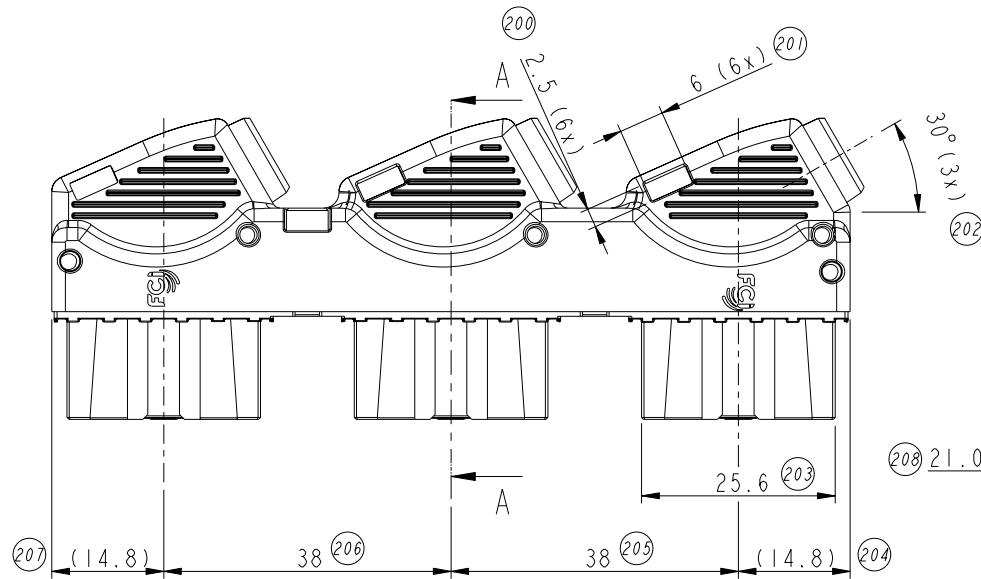
REV F - 2006-04-17

PART NUMBER:
10110224-101LF

TOP CABLING

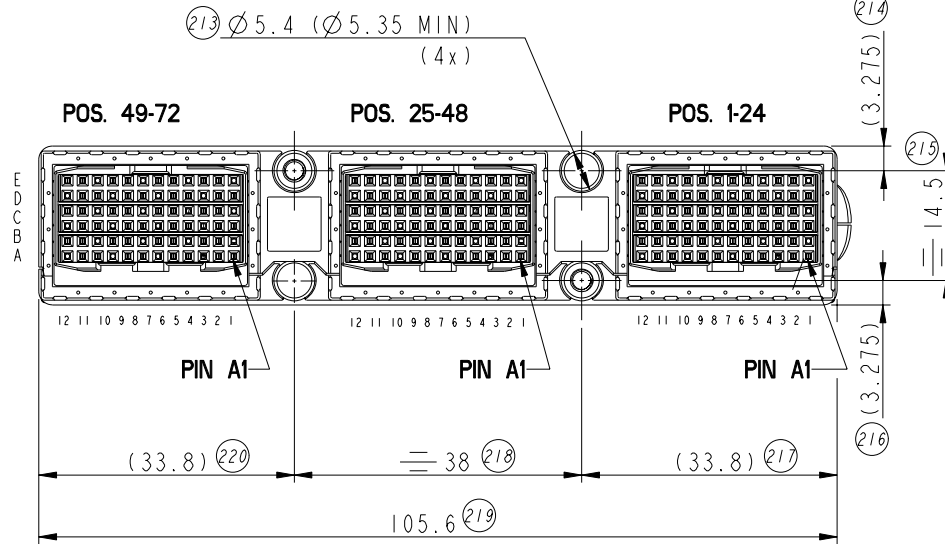
A

B



SCALE 3:2

C



D



Copyright FCI.

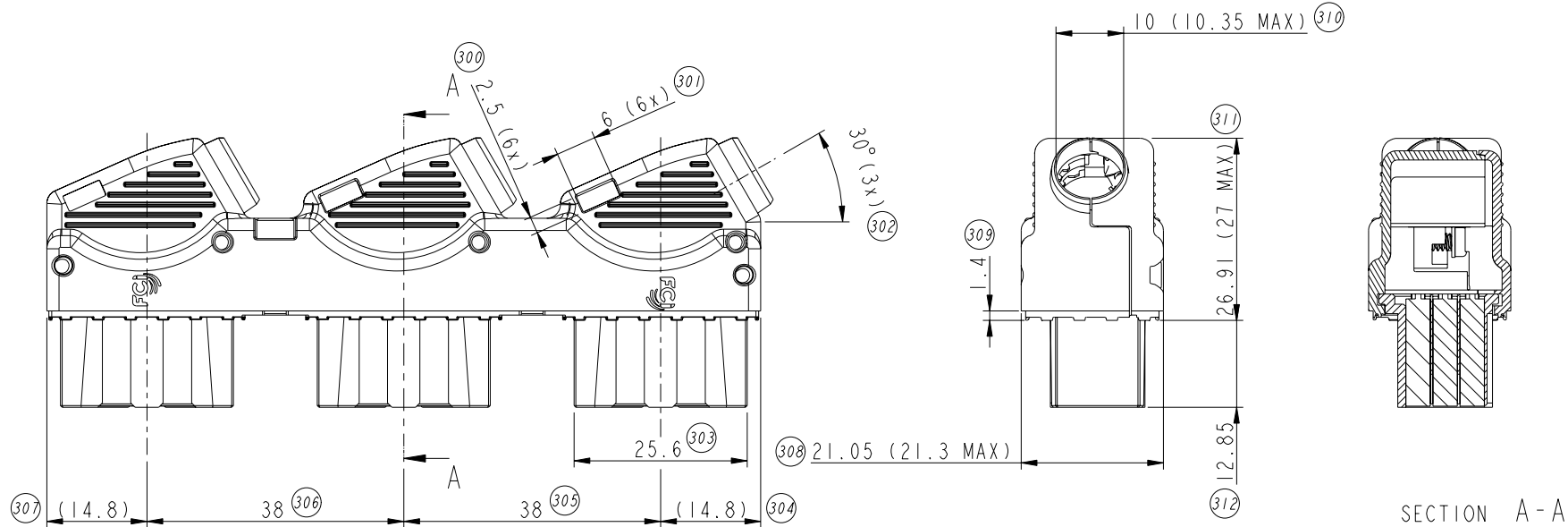
www.fciconnect.com		surface ISO 1302	tolerance std ISO 406 / ISO 1101	projection mm	
		TOLERANCES UNLESS OTHERWISE SPECIFIED			
Dr	Rick Bian	12/08/2009	ANGULAR	0.x ±	size A3
Eng	Rick Bian	12/08/2009	LINEAR	0.xx ±	Scale 3:2
Chr	Daniel Tao	12/08/2009	0° ±	0.xxx ±	ECN
Appr	Joseph Hsia	12/08/2009	Product family	Metral	Spec ref
		Title		Title	
		ASSEMBLY KIT		10110224	
		METRAL HDXS CABLE CONNECTOR		Rev. A	
		catalog no		CUSTOMER sheet 2 of 4	

Highest balloon number: 220
Removed balloon numbers:

REV F - 2006-04-17

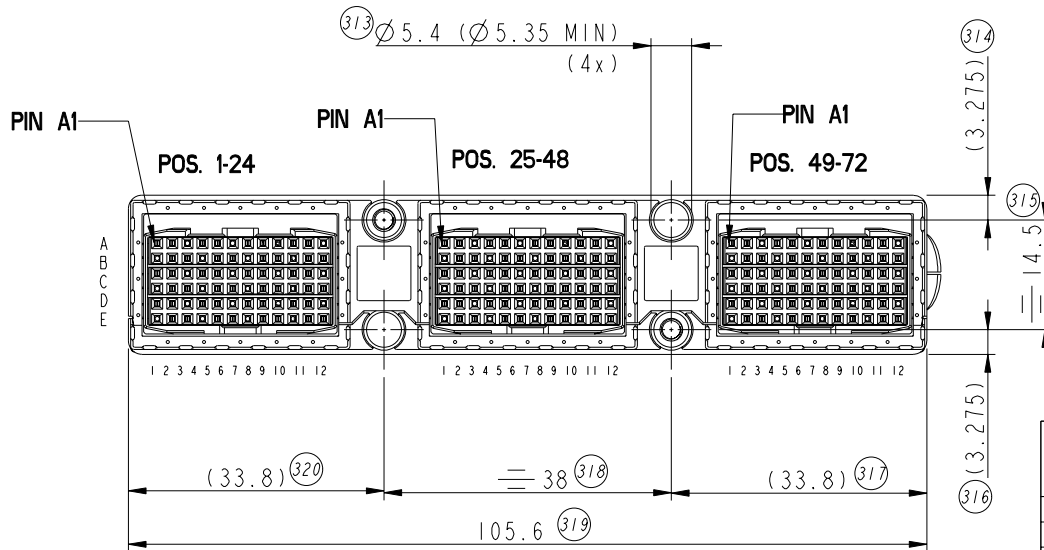
PART NUMBER:
10110224-101LF

BOTTOM CABLING



SECTION A-A

SCALE 3:2



Copyright FCI.

www.fciconnect.com		surface ISO 1302	tolerance std ISO 406 / ISO 1101	projection mm	
		TOLERANCES UNLESS OTHERWISE SPECIFIED			
Dr	Rick Bian	12/08/2009	ANGULAR	0.x	±
Eng	Rick Bian	12/08/2009	LINEAR	0.xx	±
Chr	Daniel Tao	12/08/2009	0° ±	0.xxx	±
Appr	Joseph Hsia	12/08/2009	Product family	Metral	Spec ref
		Title		Title	
		ASSEMBLY KIT		10110224	
		METRAL HDXS CABLE CONNECTOR		Rev. A	
		catalog no		CUSTOMER sheet 3 of 4	

Highest balloon number: 320
Removed balloon numbers:

REV F - 2006-04-17