



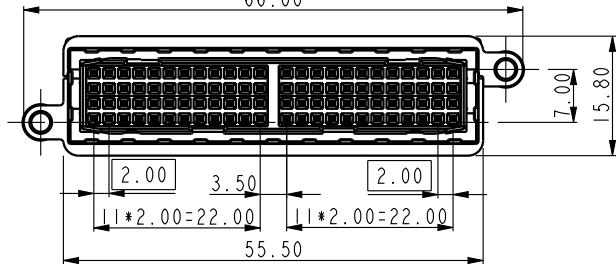
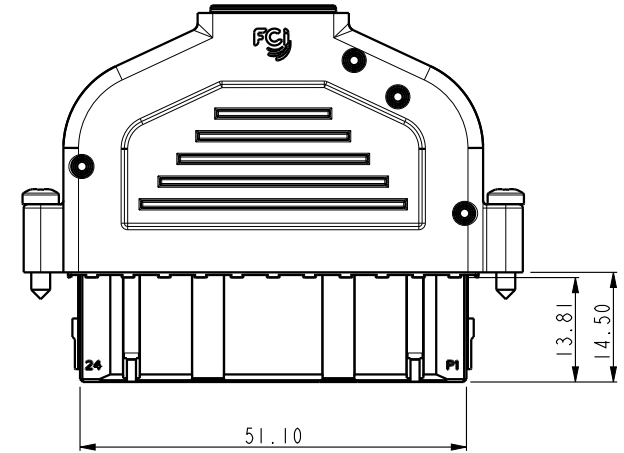
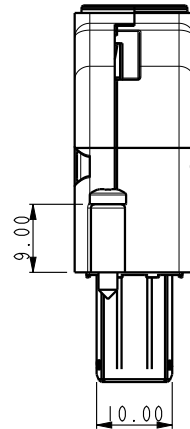
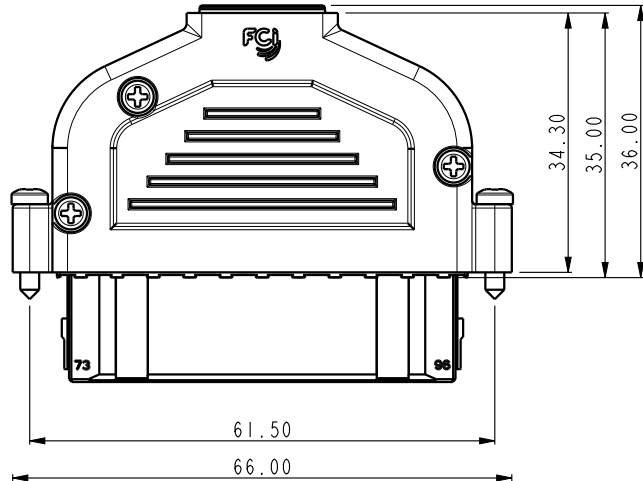
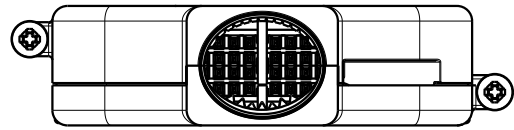
Amphenol  
FCi

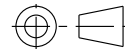

© 2016 AFci

Cable KITS P/N	10113575-101LF	10113575-102LF
AWG Size	26	28 & 30

**Notes:**

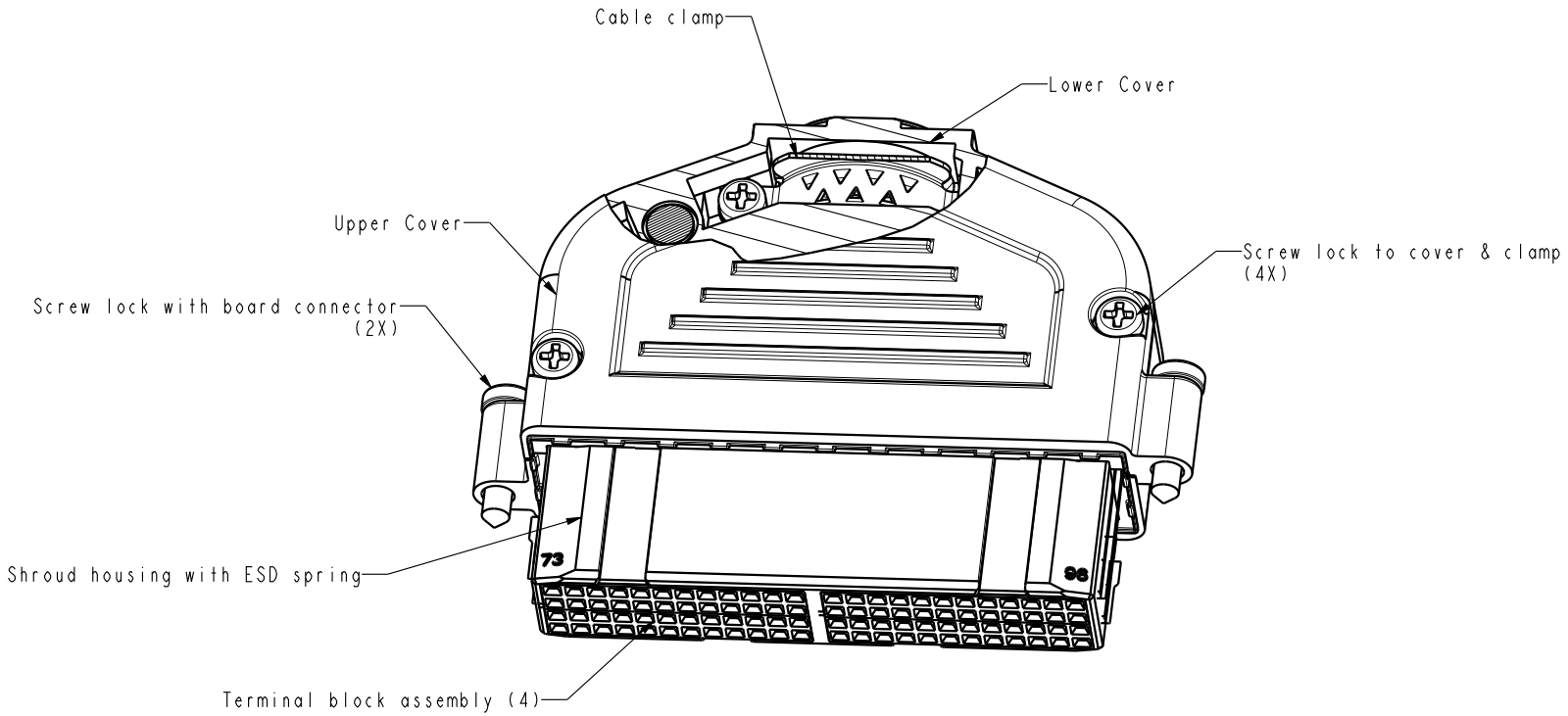
1. This product meets europe union directives and other country regulations as described in GS-47-0004.
2. The product is not intended to be exposed to a manufacturing solder process.
3. Material:  
Die casting cover: Zn alloy with Cu; Nickel & pure tin plating  
Shroud housing: Black PBT 30% GF.  
Terminal block housing: Black PBT 30% GF.  
Terminal: Copper alloy  
ESD spring: Steel stainless.  
Screw: Steel stainless
4. Applicable individual wire insulation  $\varnothing 0.90$  MM max. 
5. For plating performance level refer drawing #10159408. 
6. The cable must be flexible to be bent under the line as below draft shown after cable assembled.
7. Product specification GS-12-562  
Application specification: GS-20-114  
Packaging specification: GS-14-1292



spec ref	*	dr	Junon Huang	2010/03/06	projection	MM	size	A4	scale	1.000						
tolerance std	TOLERANCES UNLESS OTHERWISE SPECIFIED	eng	Narayanan, Aru	2020/10/31			ecn no				ELX-I-38804-1					
ISO 406		chr	-	-			rel level				Released					
ISO 1101		appr	Kuriakose, San	2020/11/02	product family				-							
surface	linear	<b>Amphenol FCi</b>			title			96pos cable connector			dwg no	10113575	rev	C		
															0.X	±0.3
															0.XX	±0.15
	angular	0°	±2°	cat. no.			Product - Customer Drw			sheet 1 of 2						
ISO 1302		0.XXX	±0.050													

BOM OF CABLE KITS

CONNECTOR PART NUMBER	COMPONENT PART DETAILS & (QTY)						
	UPPER COVER(1)	LOWER COVER(1)	SHROUD HOUSING WITH ESD SPRING (1)	TERMINAL BLOCK ASSEMBLY (4)	CABLE CLAMP (1)	SCREW LOCK WITH BOARD CONNECTOR (2)	SCREW TO COVER & CLAMP (4)
10113575-101LF	10113576-001LF	10113577-001LF	10087046-001LF	10087045-001LF	10087042-001LF	10087047-001LF	10089066-001LF
10113575-102LF	10113576-001LF	10113577-001LF	10087046-001LF	10087045-002LF	10087042-001LF	10087047-001LF	10089066-001LF



spec ref	*	dr	Junon Huang	2010/03/06	projection	MM	size	A4	scale	1.000					
tolerance std	TOLERANCES UNLESS OTHERWISE SPECIFIED	eng	Narayanan, Aru	2020/10/31			ecn no	ELX-I-38804-1							
ISO 406		chr	-	-			rel level	Released							
ISO 1101		appr	Kuriakose, San	2020/11/02	product family	-									
surface	linear				title 96pos cable connector vertical type			dwg no 10113575		rev	C				
										0.X	±0.3	Product - Customer Drw		sheet 2 of 2	
										0.XX	±0.15				
		0.XXX	±0.050												
ISO 1302	angular	0°	±2°	cat. no.											