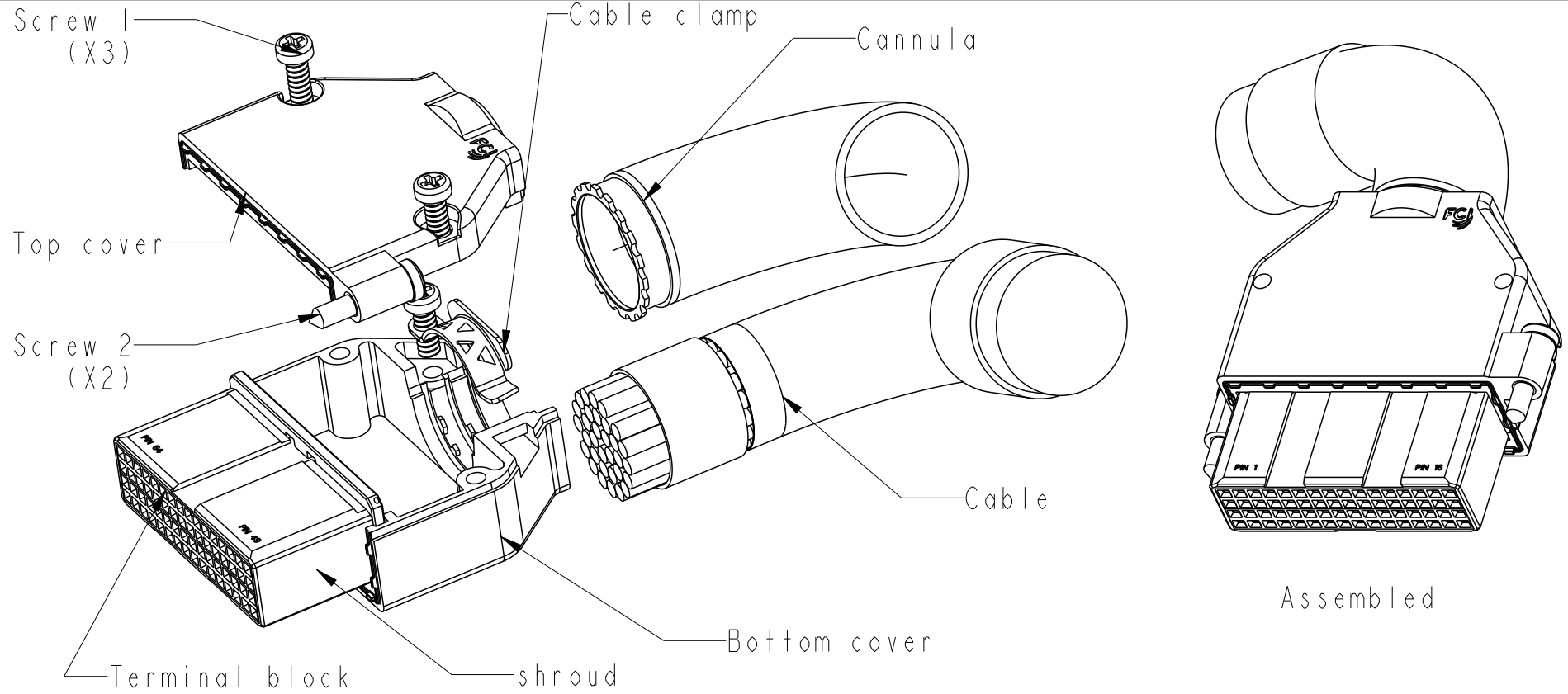


1	2	3	4
Kits	Top cover	Bottom Cover	Cable Clamp
10118971-X01LF	1	1	1
10118971-X02LF	1	1	1
10118971-X03LF	1	1	1
10118971-X04LF	1	1	1
N/A	Qty		

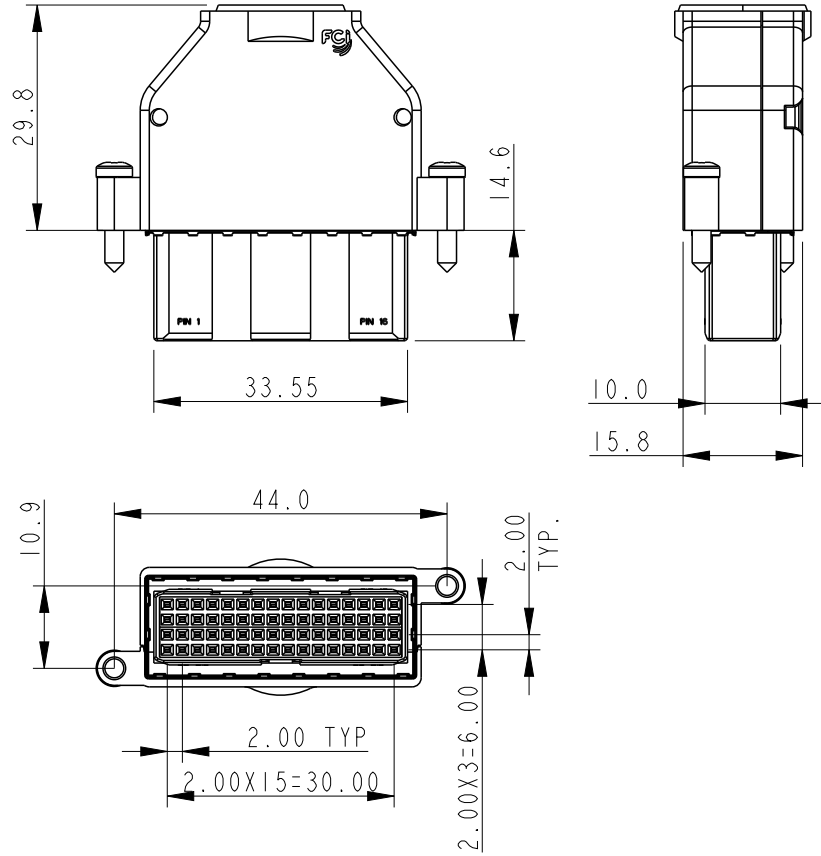
Terminal Block	Screw 1	Screw 2	Cannula	Wire
2	3	2	1	24&26
2	3	2	1	28&30
2	3	2	N/A	24&26
2	3	2	N/A	28&30
N/A				N/A



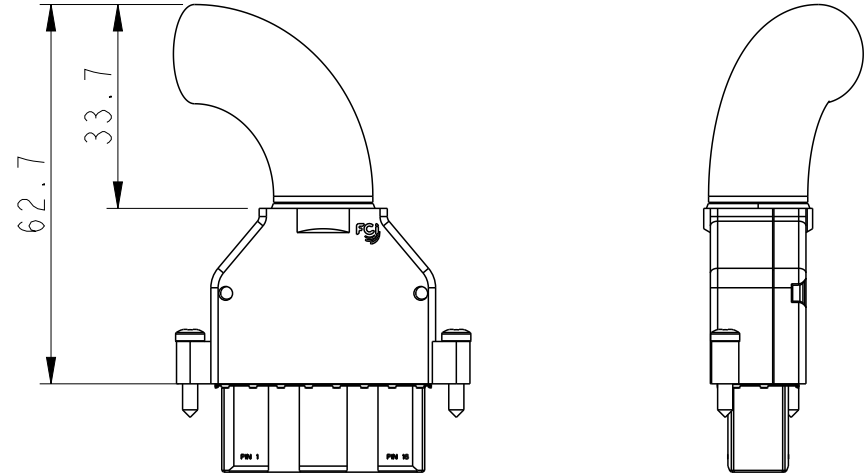
spec ref	dr	De-Feng Qin	2011/10/23	projection	MM	size	A4	scale	1:1
tolerance std	eng	Narayanan, Aru	2021/01/28			ecn no		ELX-I-39745-1	
ISO 406	chr	-	-			rel level		Released	
ISO 1101	appr	Kuriakose, San	2021/01/28	product family					
surface ✓ ISO 1302	linear	0.X	±0.3	<b>Amphenol FCI</b> title 64p EITL cable kits Vertical cable outlet	dwg no	10118971		rev	
		0.XX	±0.15			C			
		0.XXX	±0.050						
angular	0°	±3°	amphenol-icc.com	cat. no.	Product - Customer Drw		sheet 1 of 2		

Creo F114:ELX-IC:ACC,REV F,2020-12-21

10118971-X03LF/X04LF



10118971-X01LF/X02LF



Notes:

1. This product is not intended to be exposed to a manufacturing solder process.
2. Material:  
Die-casting cover & Cannula: Zn alloy with Cu, Nickle & bright Tin plating.  
Shroud & terminal block housing: PBT  
Terminal contact: Copper alloy  
Screw: Stainless steel
3. For plating performance refer drawing # 10159408.  $\triangle$
4. Cable O.D:  $\varnothing$ 13~16.2mm
5. Product specification : GS-12-587  
Packaging specification : GS-14-1306  
Application specification : GS-20-123
6. This product meets european union directives as  $\triangle$  described in gs-47-0004.
7. Applicable wire insulation  $\varnothing$ 0.90MM Max.  $\triangle$
8. A  $\triangle$  symbol will be next to any dimension, view, or note which has been modified with the current drawing revision.

spec ref		dr	De-Feng Qin	2011/10/23	projection 	MM 	size	A4	scale	1:1			
tolerance std		eng	Narayanan, Aru	2021/01/28			ecn no	ELX-I-39745-1					
ISO 406 ISO 1101		chr	-	-			rel level	Released					
TOLERANCES UNLESS OTHERWISE SPECIFIED		appr	Kuriakose, San	2021/01/28	product family								
surface	linear	0.X	±0.3		Amphenol FCI	title	64p EIT1 cable kits		dwg no	10118971	rev	C	
		0.XX	±0.15				cat. no.	Product - Customer Drw					sheet 2 of 2
		0.XXX	±0.050										
ISO 1302	angular	0°	±3°		amphenol-icc.com								