

10120124 - X0E - XXXLF

LEAD-FREE DESIGNATION ONLY WITH APPLICABLE PLATING CODES

8-COLUMN DIFFERENTIAL SIGNAL

LETTER	PLATING (SEE NOTE 6)	
	APPLICATION	TYPE (REFERENCE)
B	TELCORDIA CO	0.76µm GOLD or GXT
C	TELCORDIA UE	1.27µm GOLD
D	TELCORDIA CO	0.76µm GOLD or GXT, LEAD-FREE
E	TELCORDIA UE	1.27µm GOLD, LEAD-FREE

NUMBER	GUIDE PIN STYLE (SEE NOTE 8)
0	STANDARD GUIDE PIN, MACHINED
1	STANDARD GUIDE PIN, ROLLED

MODULE DESCRIPTION	LETTER DESIGNATION REPRESENTED IN DASH NUMBER										BASE MODULE
LEFT POLARIZING GUIDANCE MODULE (SEE SHEET 6)	N	J	A	B	C	D	E	F	G	H	
	NO KEY NO GUIDE PIN										
RIGHT POLARIZING GUIDANCE MODULE (SEE SHEET 7)	Z	Y	P	Q	R	S	T	U	V	W	
	NO KEY NO GUIDE PIN										
OPEN MODULE (TWO WALL) (SEE SHEET 2)	0 (ZERO)										
LEFT WALL MODULE (SEE SHEET 3)	L										
RIGHT WALL MODULE (SEE SHEET 4)	M										
FOUR WALL MODULE (SEE SHEET 5)	1 (ONE)										

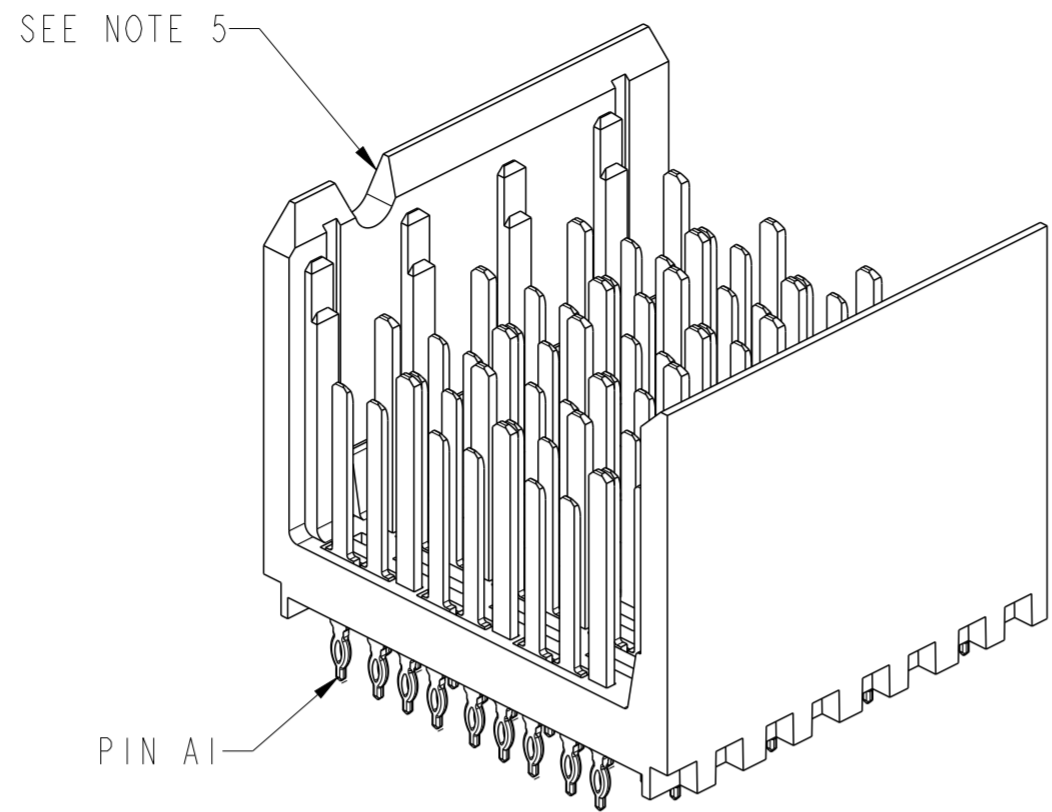
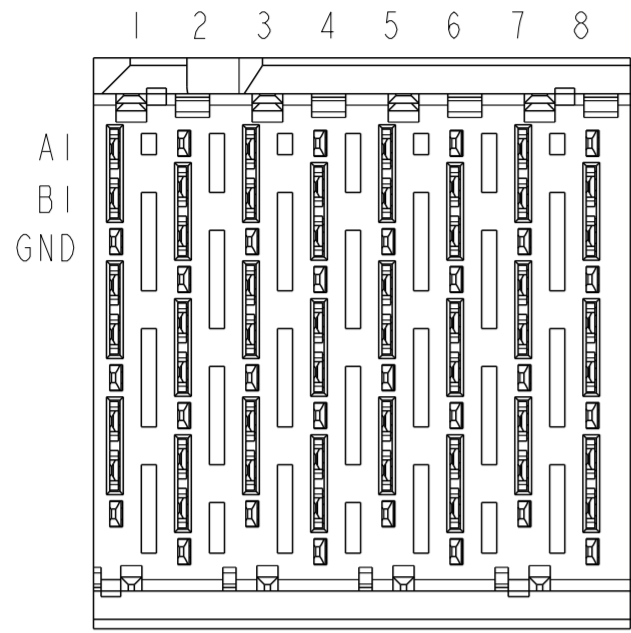
NUMBER	CONTACT MATING WIPE LENGTH		COMPLIANT TAIL TYPE (SEE NOTE 9)
	SIGNAL	GROUND	
1	2 MM	4 MM	0.55 (0.0217") DRILL
2	3 MM	4 MM	0.55 (0.0217") DRILL
3	2 MM	4 MM	0.45 MICRO (0.0177") DRILL
4	3 MM	4 MM	0.45 MICRO (0.0177") DRILL
5	2 MM	3 MM	0.55 (0.0217") DRILL
6	3 MM	3 MM	0.55 (0.0217") DRILL
7	2 MM	3 MM	0.45 MICRO (0.0177") DRILL
8	3 MM	3 MM	0.45 MICRO (0.0177") DRILL

FOR CUSTOM-LOADED MODULES, SEE INDIVIDUAL CUSTOM DRAWINGS WITH THE DRAWING-NUMBER FORMAT OF 10120124-XXXX, WHERE: "X" DENOTES MODULE TYPE PER CHART ON THIS SHEET "YYYY" IS A SEQUENTIAL NUMBER BEGINNING WITH "0001".

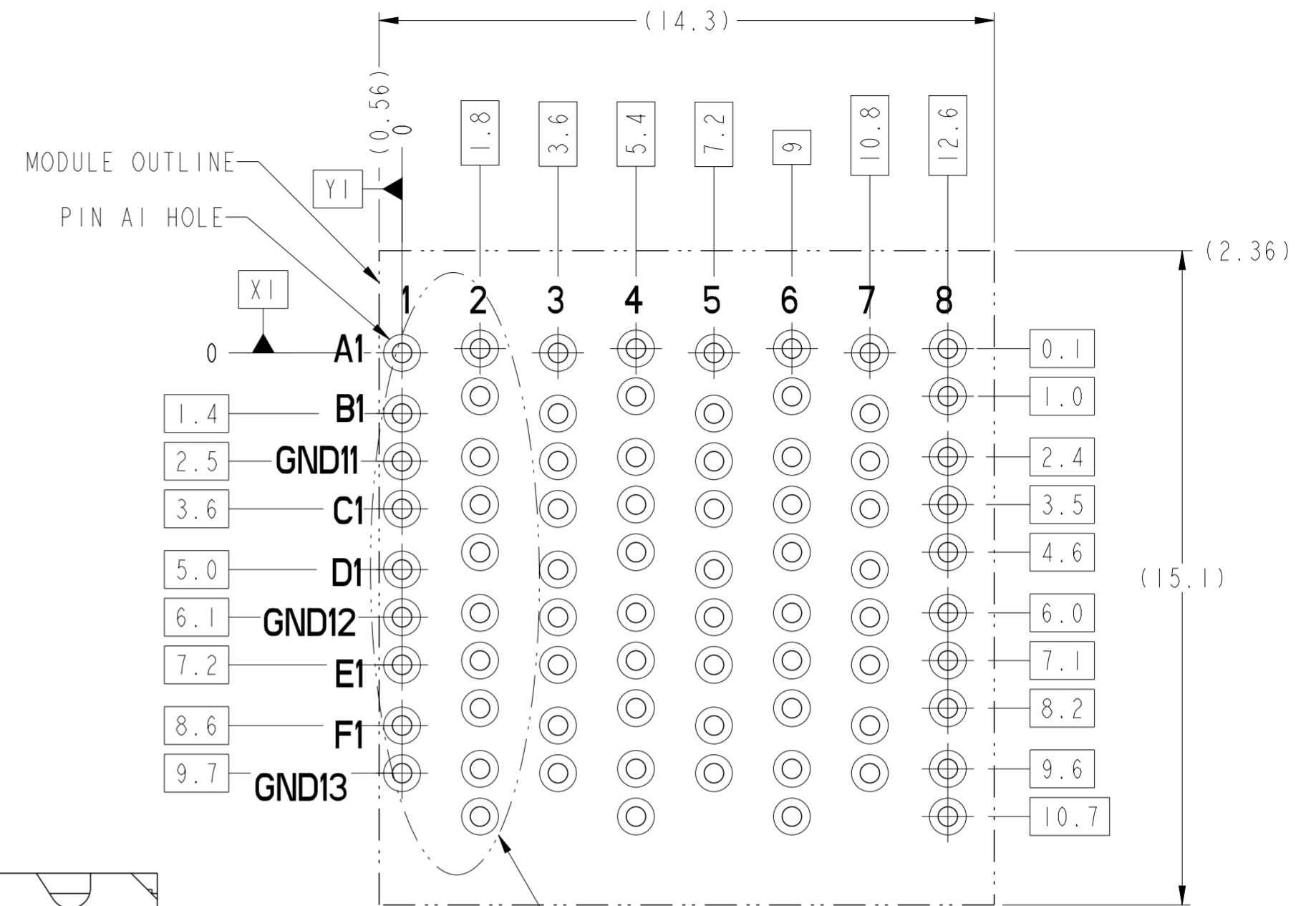
	UNGROUND	GROUND
FHS	∅2.35-∅2.55	∅2.35-∅2.55
PAD	N/A	∅5.50
PLATED	NO	YES
DRILL(mm)	2.44mm	2.58mm
DRILL(in)	0.096"	0.1015"

SCREW P/N	DESCRIPTION	BOARD THICKNESS
10091790-002LF	#2-56 X 0.375" LG. PHILIPS PANHEAD W/SQ CONICAL WASHER	1.60-5.00mm
10091790-003LF	#2-56 X 0.375" LG. PHILIPS PANHEAD W/SQ CONICAL WASHER	5.00-10.00mm

spec ref	-	dr	Yong-Keat Lim	2012/02/17	projection	MM	size	A2	scale	5:1
tolerance std	ISO 406 ISO 1101	eng	Sandar Soe	2013/03/20	chr	-	ecn no	ELX-8-14229-1		
surface	ISO 1302	appr	Chen-Hong Tan	2013/04/09	product family	XCEDE HD	rel level	Released		
linear	0.X ±0.3 0.XX ±0.10 0.XXX ±0.05	title	XCEDE HD VERTICAL HEADER 3 PAIR, 8 COLUMN STITCH HEADER		cat. no.	10120124		rev	B	
angular	0° ±2°	www.fci.com	Product - Customer Drw		sheet 1 of 8					



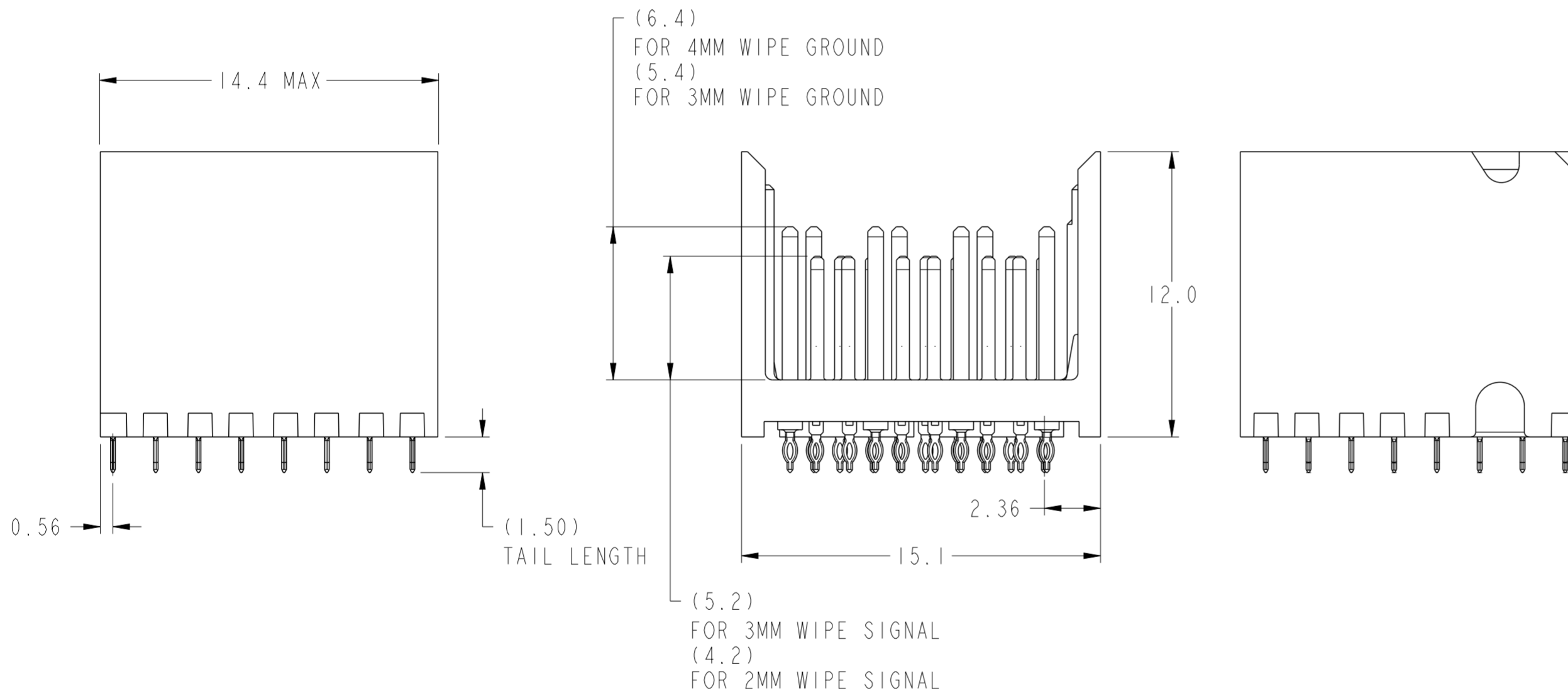
**OPEN WALL MODULE**



SEE DETAIL A  
ON SHEET 8 FOR PINOUT DETAILS

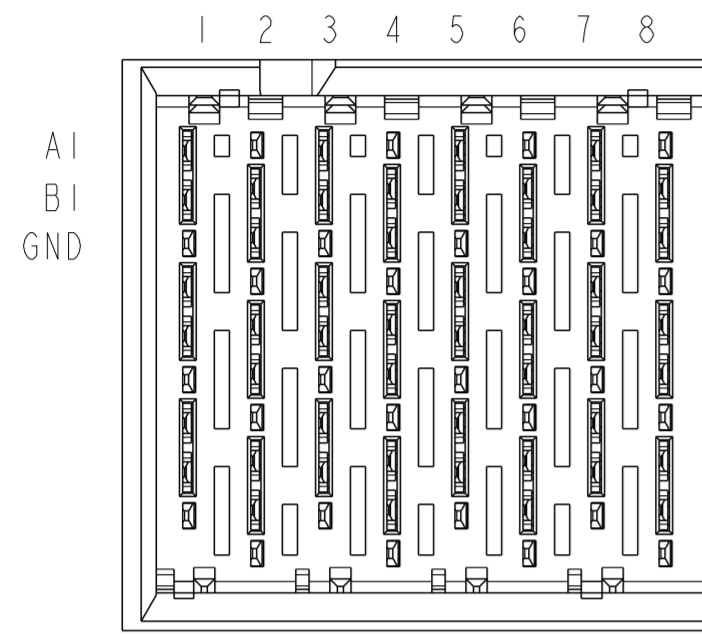
BP HOLE PATTERN COMPONENT SIDE

**OPEN WALL MODULE BACKPLANE FOOTPRINT**

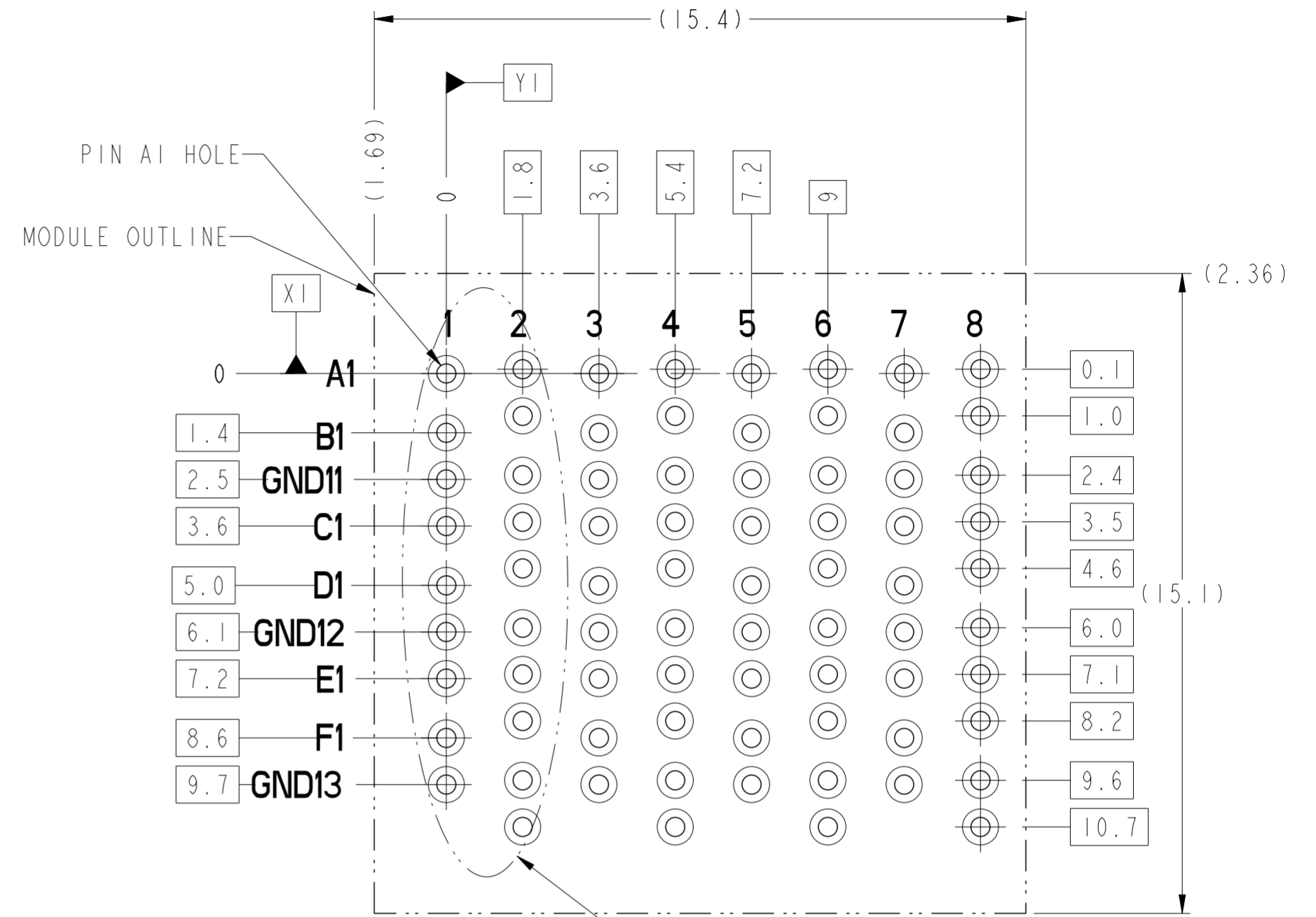
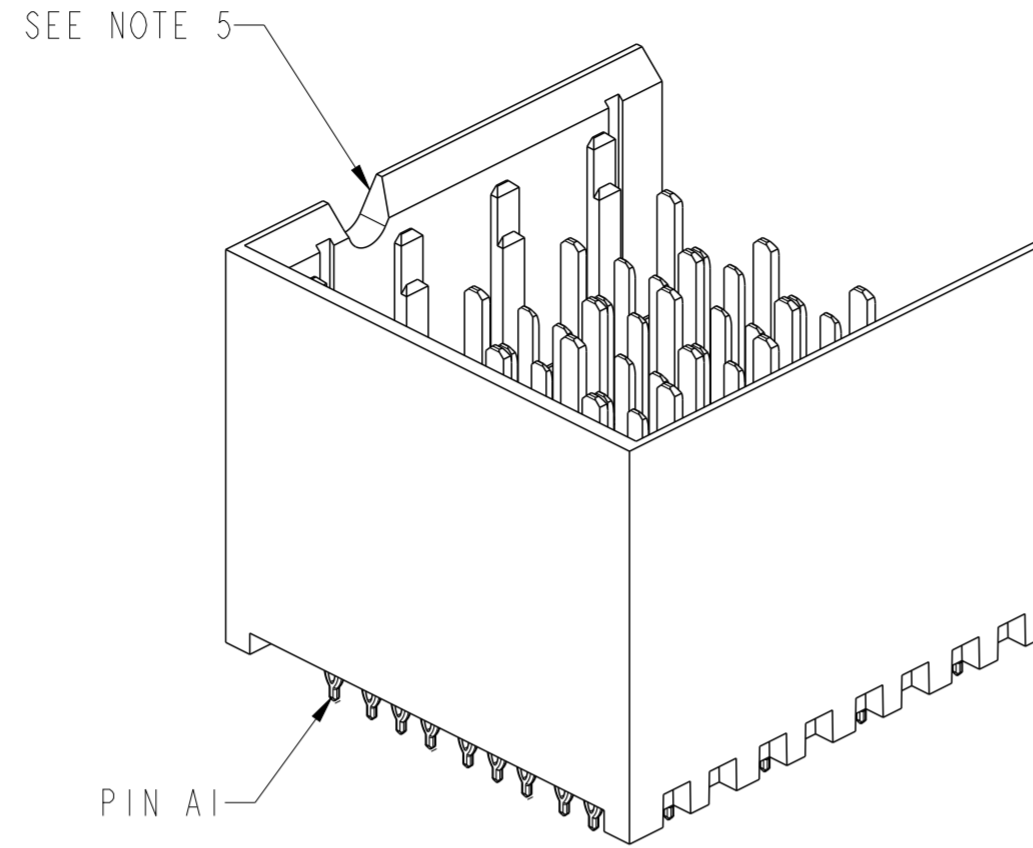


Copyright FCI.

spec ref	-	dr	Yong-Keat Lim	2012/02/17	projection	MM	size	A2	scale	5:1
tolerance std	ISO 406 ISO 1101	eng	Sandar Soe	2013/03/20			ecn no	ELX-S-14229-1		
TOLERANCES UNLESS OTHERWISE SPECIFIED		chr	-	rel level				Released		
surface	ISO 1302	appr	Chen-Hong Tan	2013/04/09	product family	XCEDE HD	rel level	Blue		
linear	0.X ±0.3 0.XX ±0.10 0.XXX ±0.05	FCI	www.fci.com		title	XCEDE HD VERTICAL HEADER 3 PAIR, 8 COLUMN STITCH HEADER		dwg no	10120124	
angular	0° ±2°	cat. no.	-		Product - Customer Drw	sheet 2 of 8	rev	B		

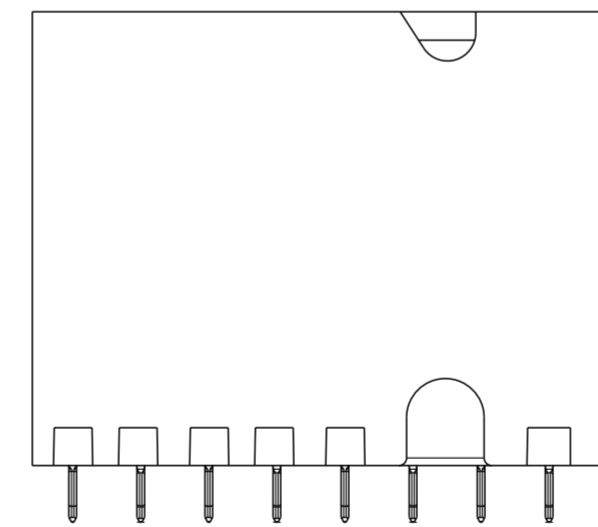
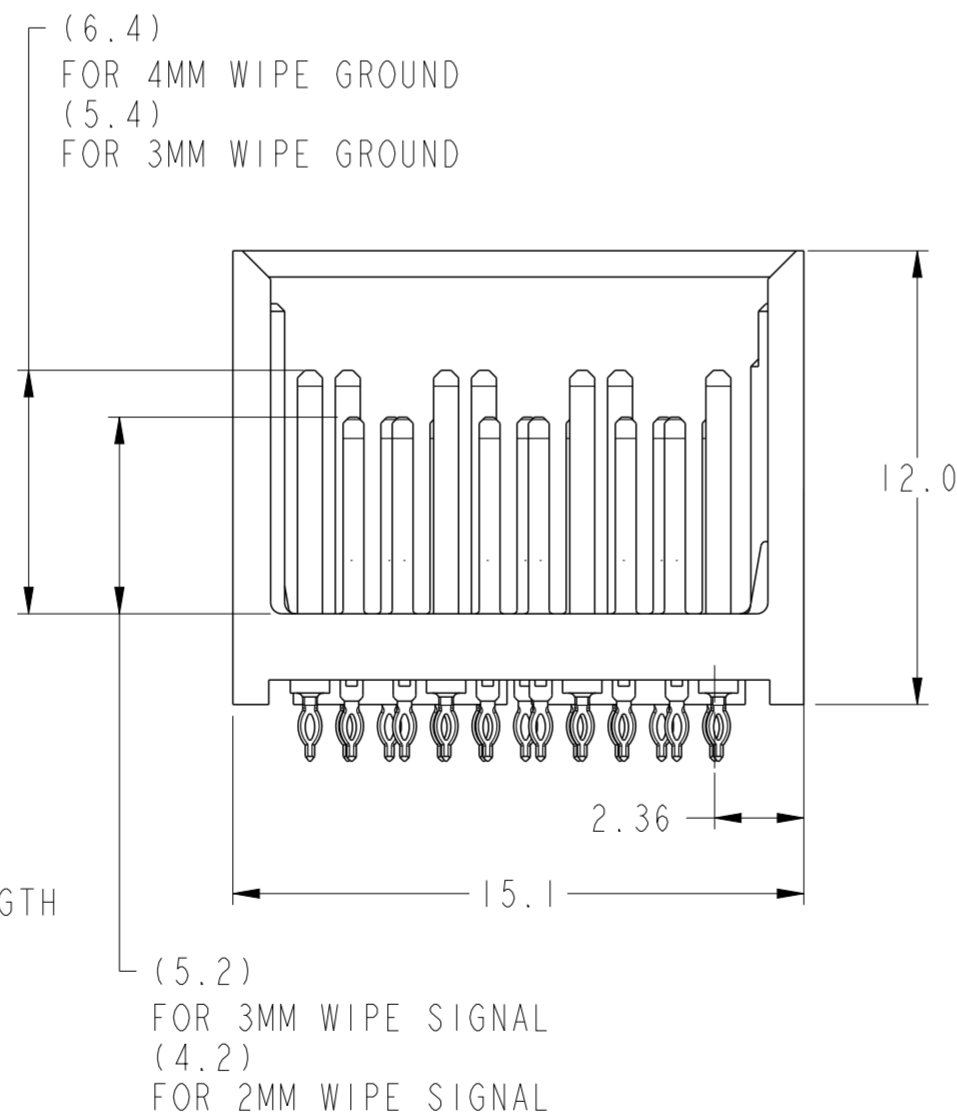
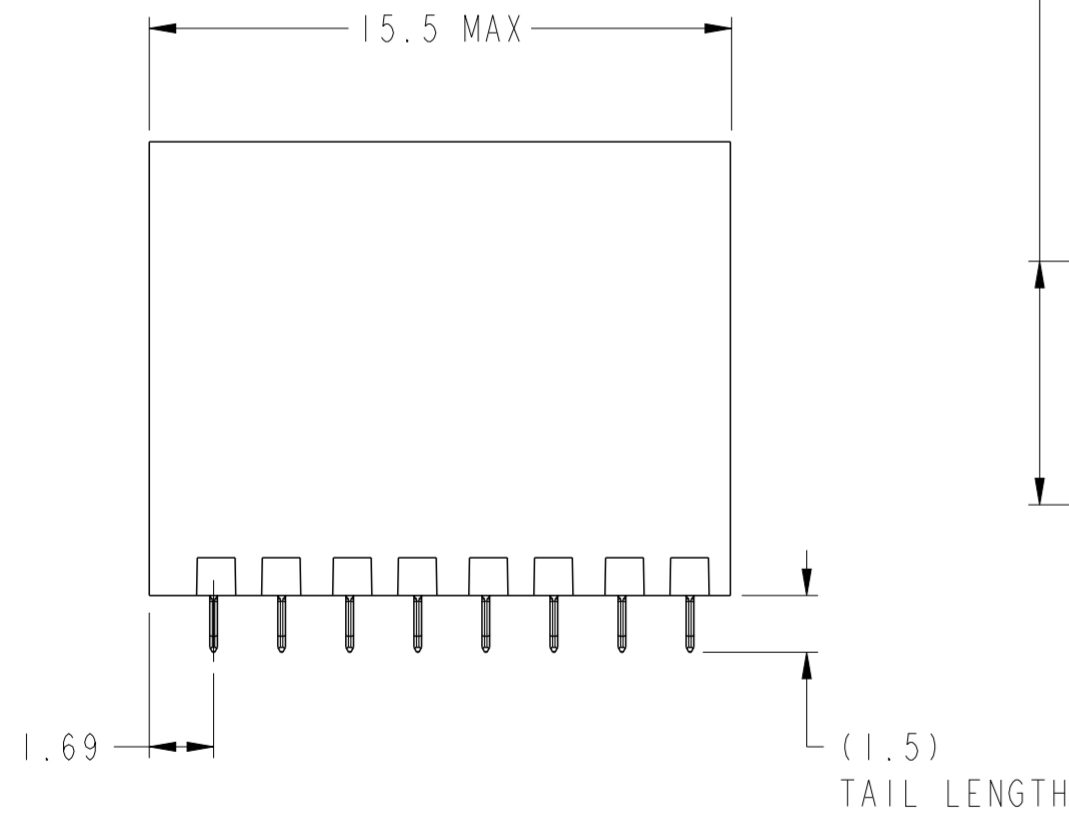


LEFT WALL MODULE

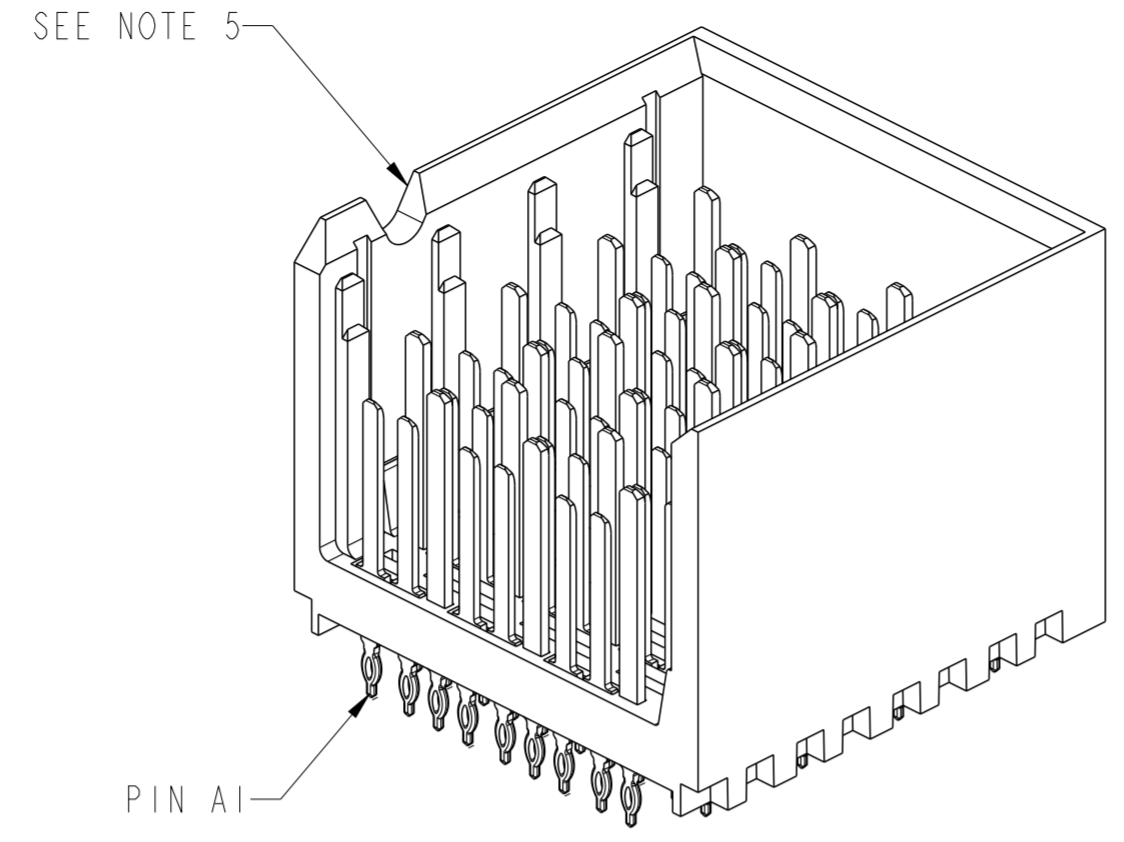
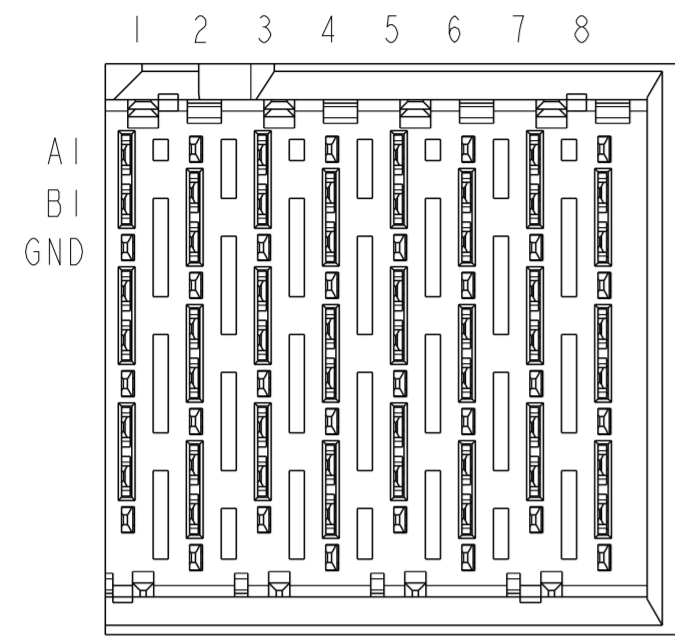


SEE DETAIL A ON SHEET 8 FOR PINOUT DETAILS

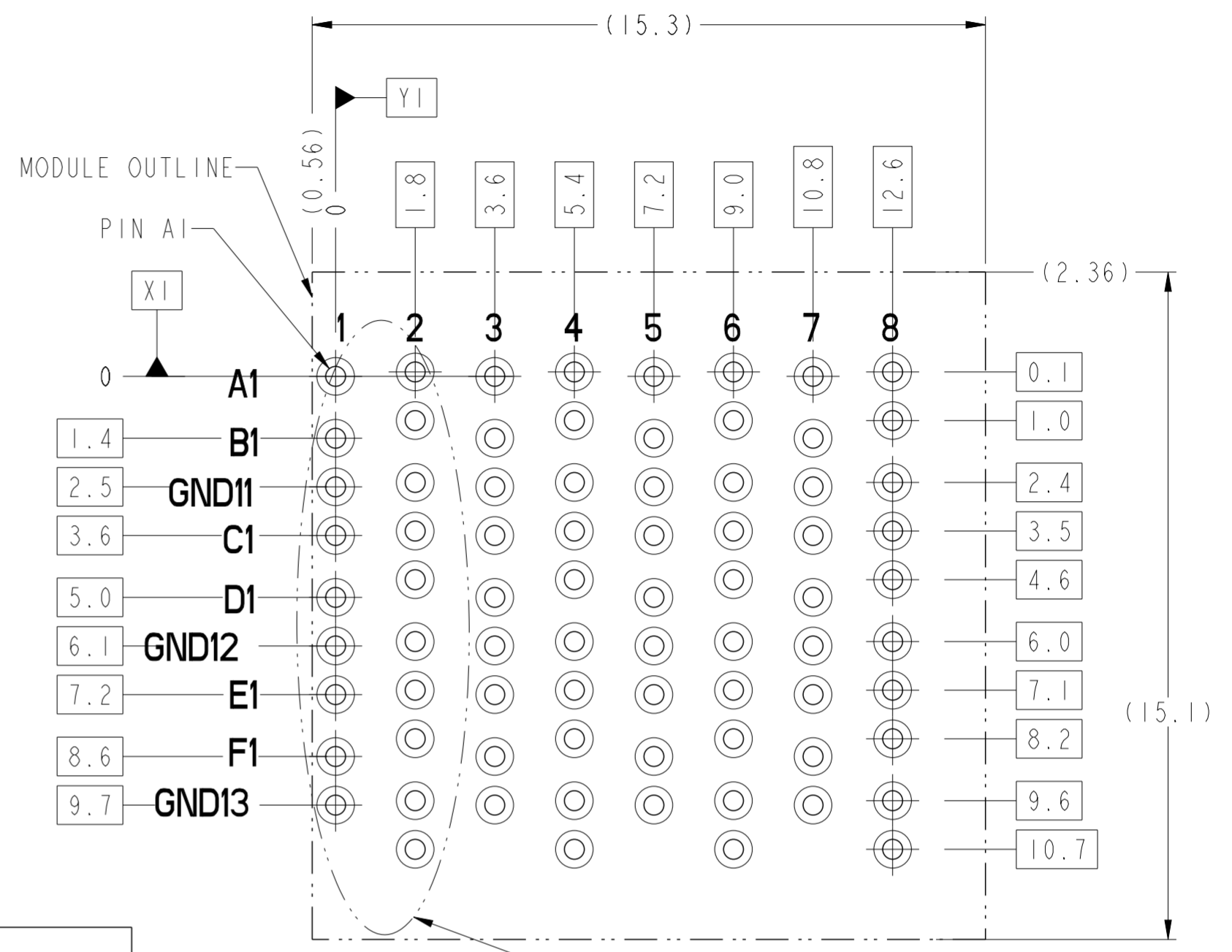
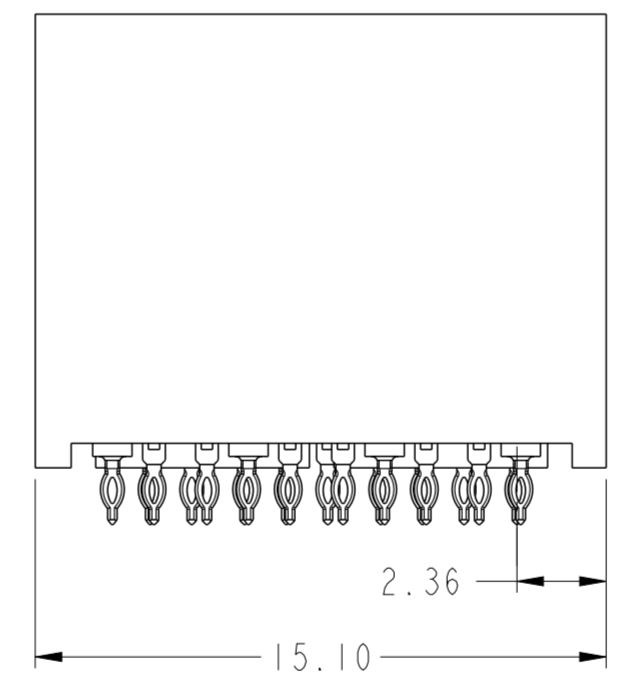
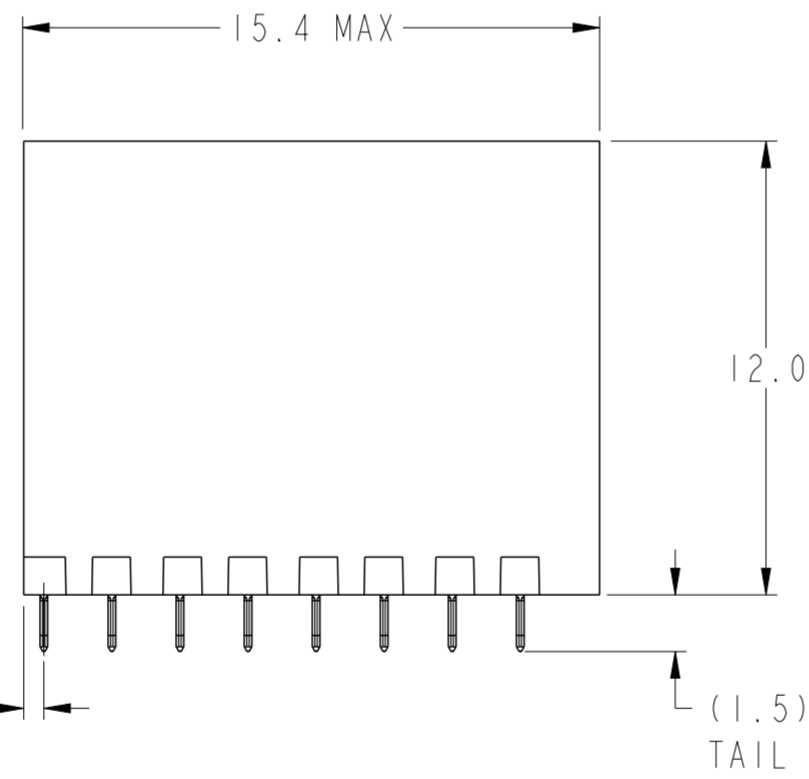
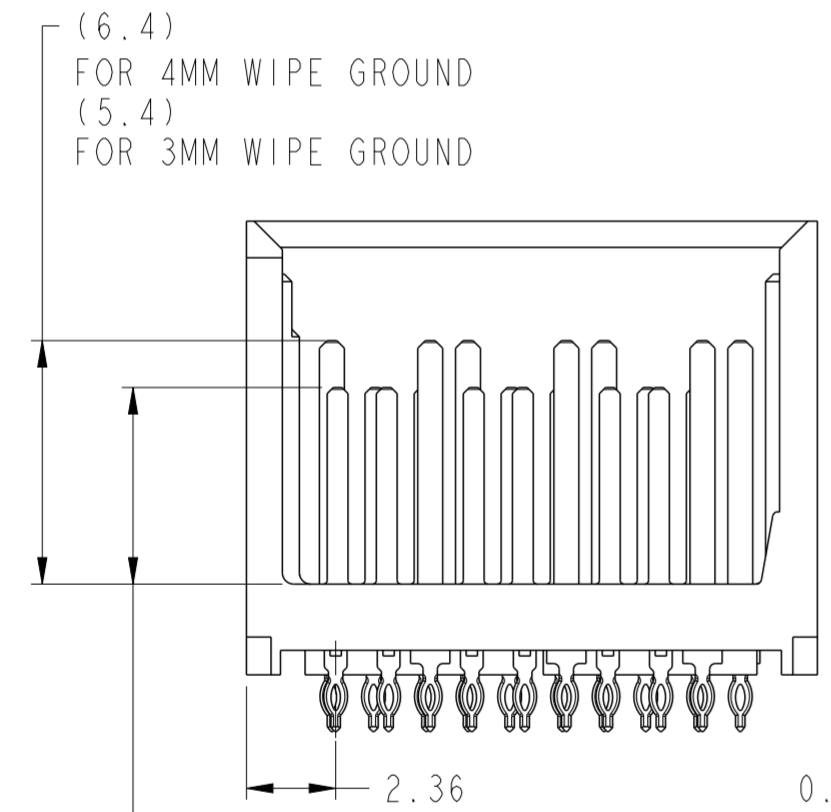
BP HOLE PATTERN COMPONENT SIDE  
LEFT WALL MODULE BACKPLANE FOOTPRINT



spec ref	-	dr	Yong-Keat Lim	2012/02/17	projection	MM	size	A2	scale	5:1	
tolerance std	ISO 406 ISO 1101	eng	Sandar Soe	2013/03/20			ecn no	ELX-8-14229-1	rel level	Released	
TOLERANCES UNLESS OTHERWISE SPECIFIED		chr	-	appr							Chen-Hong Tan
surface	ISO 1302	linear	0.X	±0.3		<b>XCED HD VERTICAL HEADER</b> 3 PAIR, 8 COLUMN STITCH HEADER	dwg no 10120124	rev B	Product - Customer Drw		
	angular	0°	±2°	www.fci.com					cat. no.	Product - Customer Drw	sheet 3 of 8



**RIGHT WALL MODULE**



SEE DETAIL A ON SHEET 8 FOR PINOUT DETAILS

**RIGHT WALL MODULE BACKPLANE FOOTPRINT**

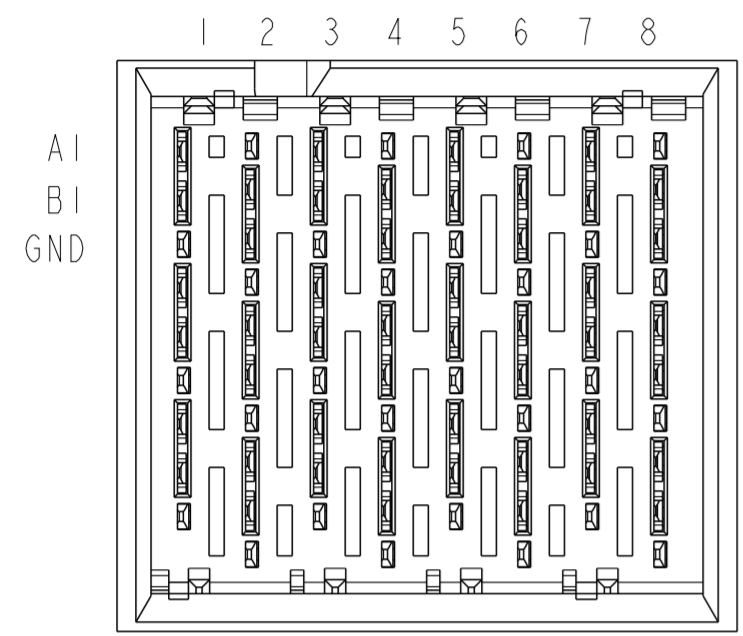
Copyright FCI.

spec ref	-	dr	Yong-Keat Lim	2012/02/17	projection	MM	size	A2	scale	5:1
tolerance std	ISO 406 ISO 1101	eng	Sandar Soe	2013/03/20			ecn no	ELX-8-14229-1		
surface	ISO 1302	chr	-	appr			Chen-Hong Tan	2013/04/09	product family	XCEDE HD
linear	0.X ±0.3 0.XX ±0.10 0.XXX ±0.05	angular	0° ±2°			<b>XCED HD VERTICAL HEADER</b> 3 PAIR, 8 COLUMN STITCH HEADER	dwg no 10120124	rev B	Product - Customer Drw sheet 4 of 8	

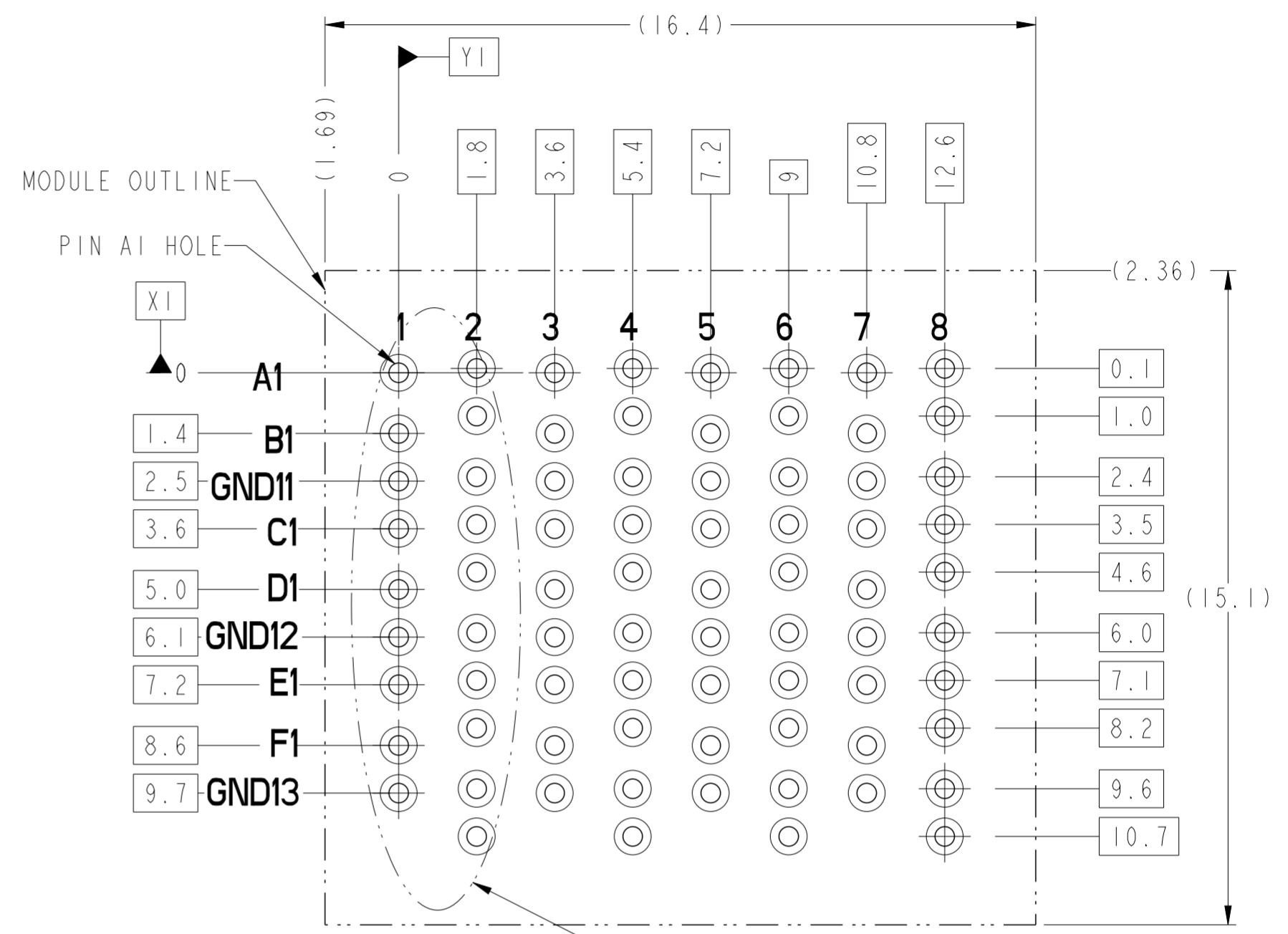
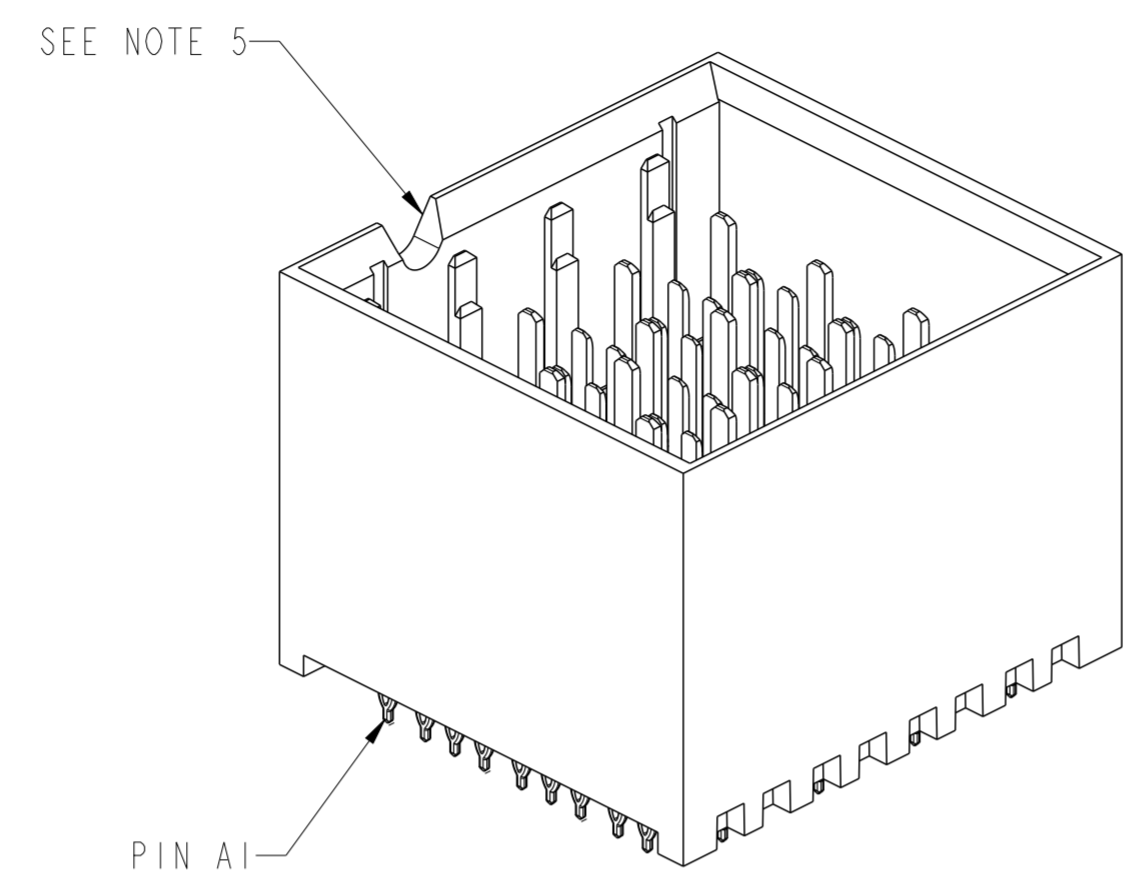
PDS: Rev :B

STATUS:Released

Printed: Apr 10, 2013

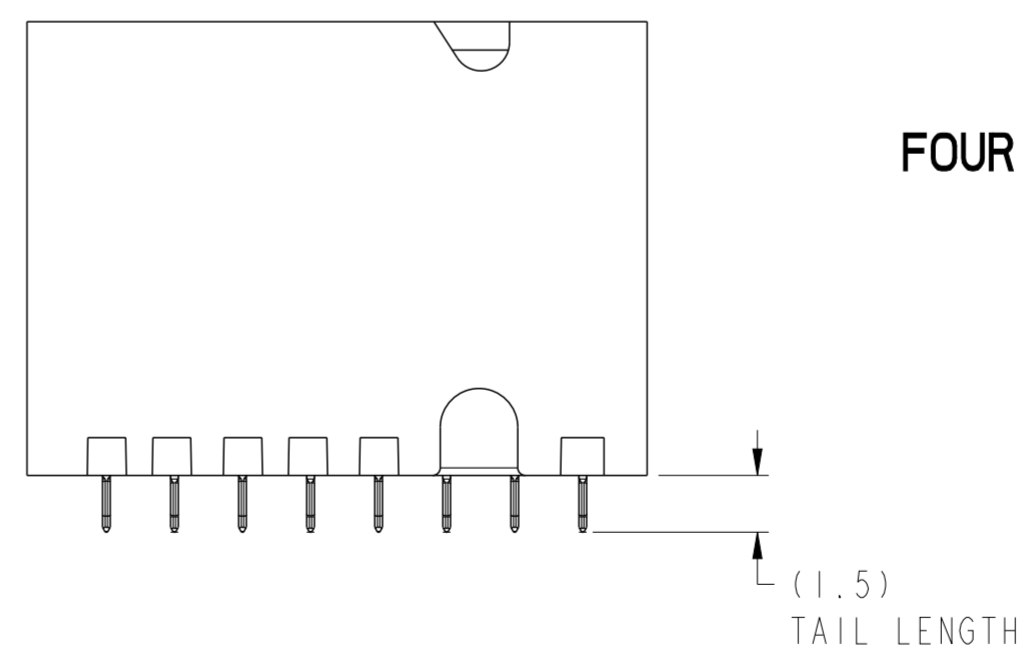
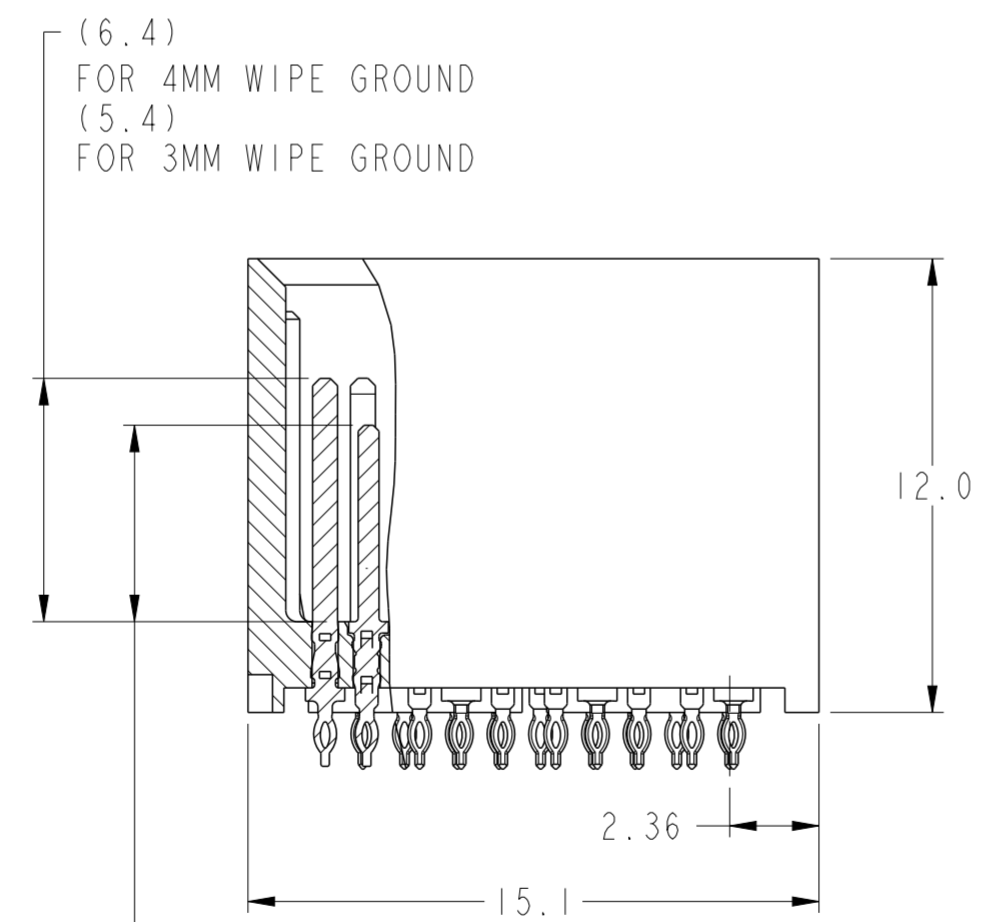
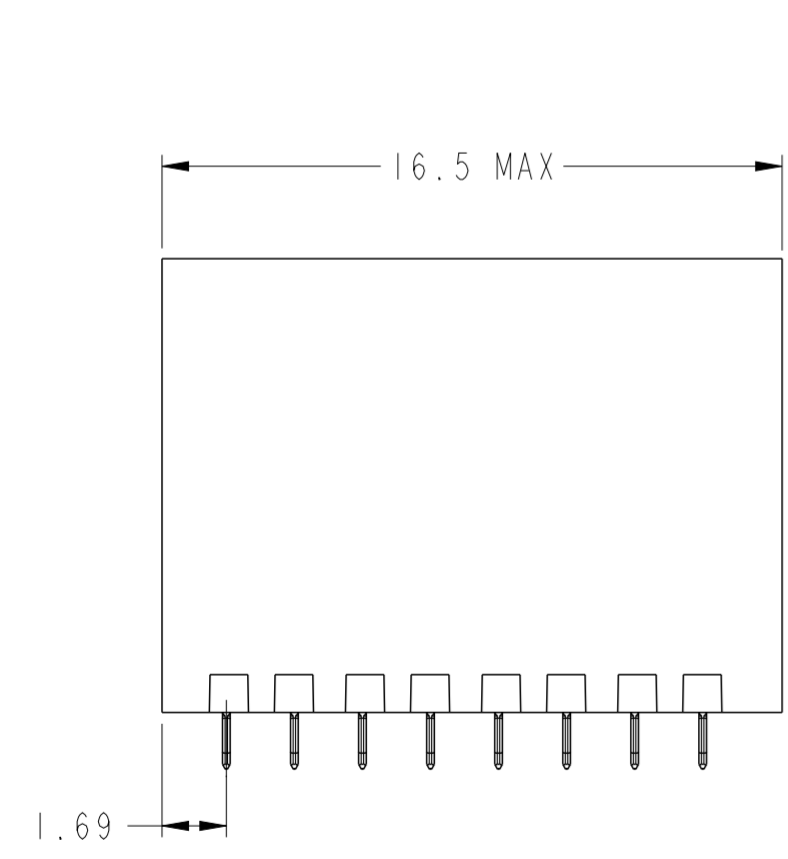


**FOUR WALL MODULE**



SEE DETAIL A ON SHEET 8 FOR PINOUT DETAILS

**FOUR WALL MODULE BACKPLANE FOOTPRINT**



(6.4) FOR 4MM WIPE GROUND  
(5.4) FOR 3MM WIPE GROUND

(5.2) FOR 3MM WIPE SIGNAL  
(4.2) FOR 2MM WIPE SIGNAL



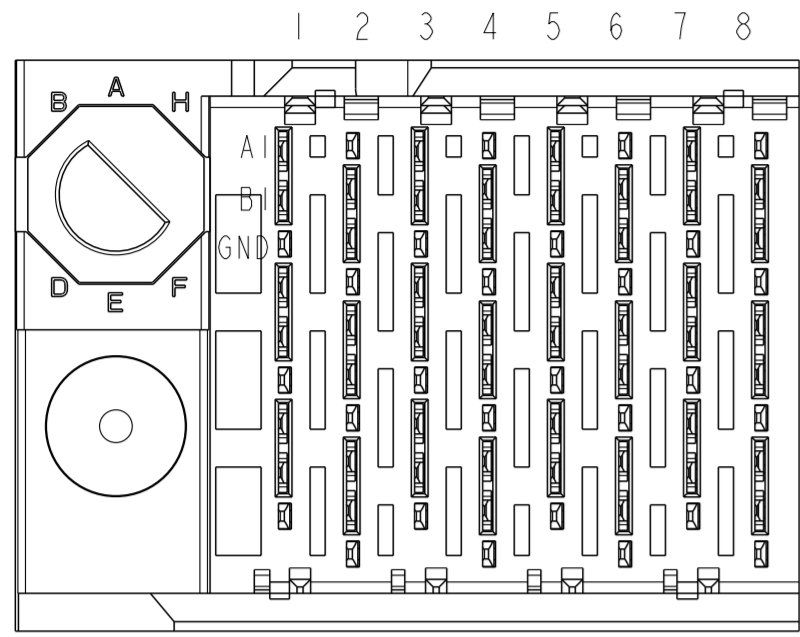
Copyright FCI.

spec ref	-	dr	Yong-Keat Lim	2012/02/17	projection	MM	size	A2	scale	5:1	
tolerance std	ISO 406 ISO 1101	eng	Sandar Soe	2013/03/20			ecn no	ELX-8-14229-1	rel level	Released	
TOLERANCES UNLESS OTHERWISE SPECIFIED		chr	-	appr							Chen-Hong Tan
surface	ISO 1302	linear	0.X	±0.3		<b>XCED HD VERTICAL HEADER</b> 3 PAIR, 8 COLUMN STITCH HEADER	dwg no 10120124	rev B	Product - Customer Drw		
	angular	0°	±2°	www.fci.com					cat. no.	Product - Customer Drw	sheet 5 of 8

PDS: Rev :B

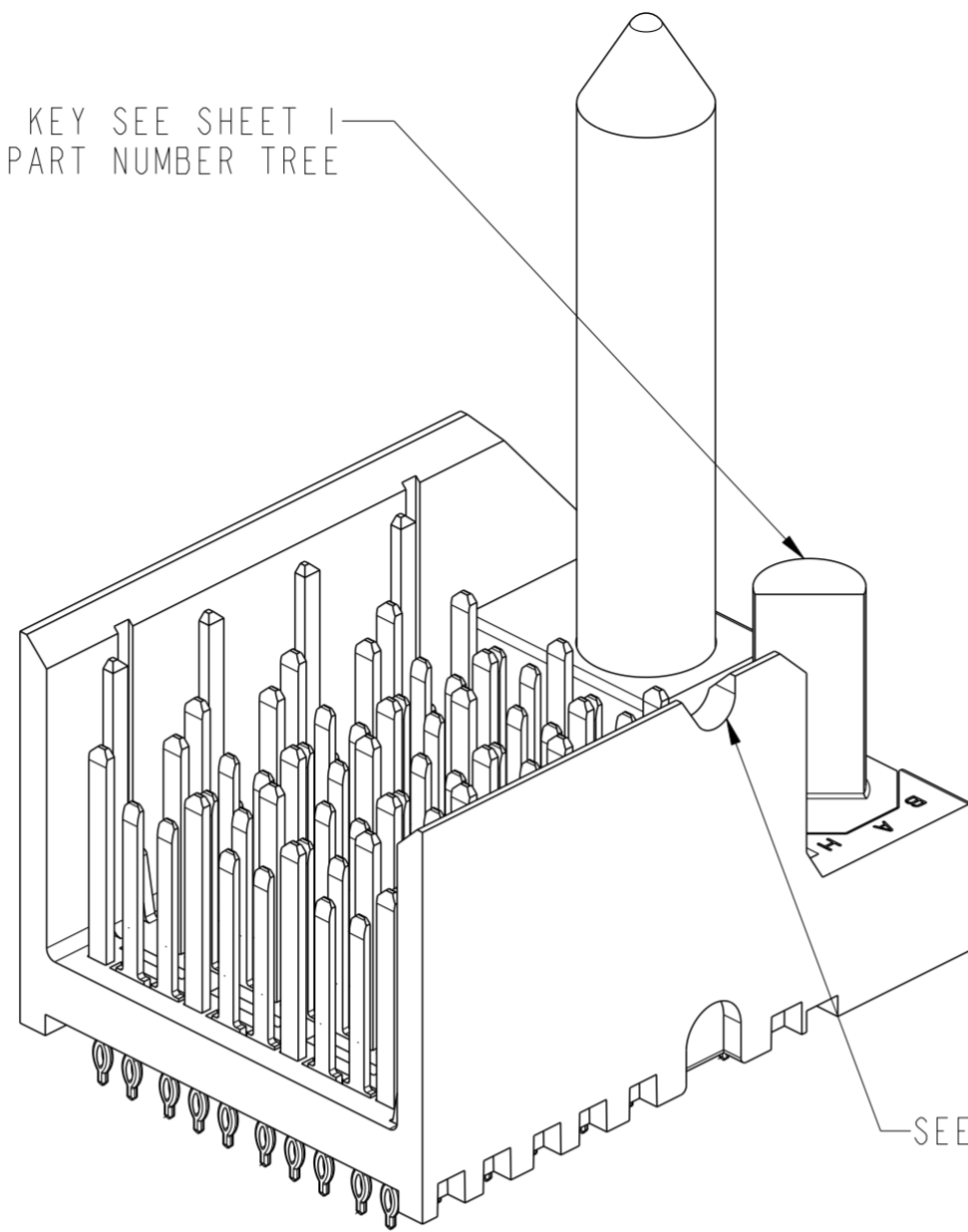
STATUS:Released

Printed: Apr 10, 2013

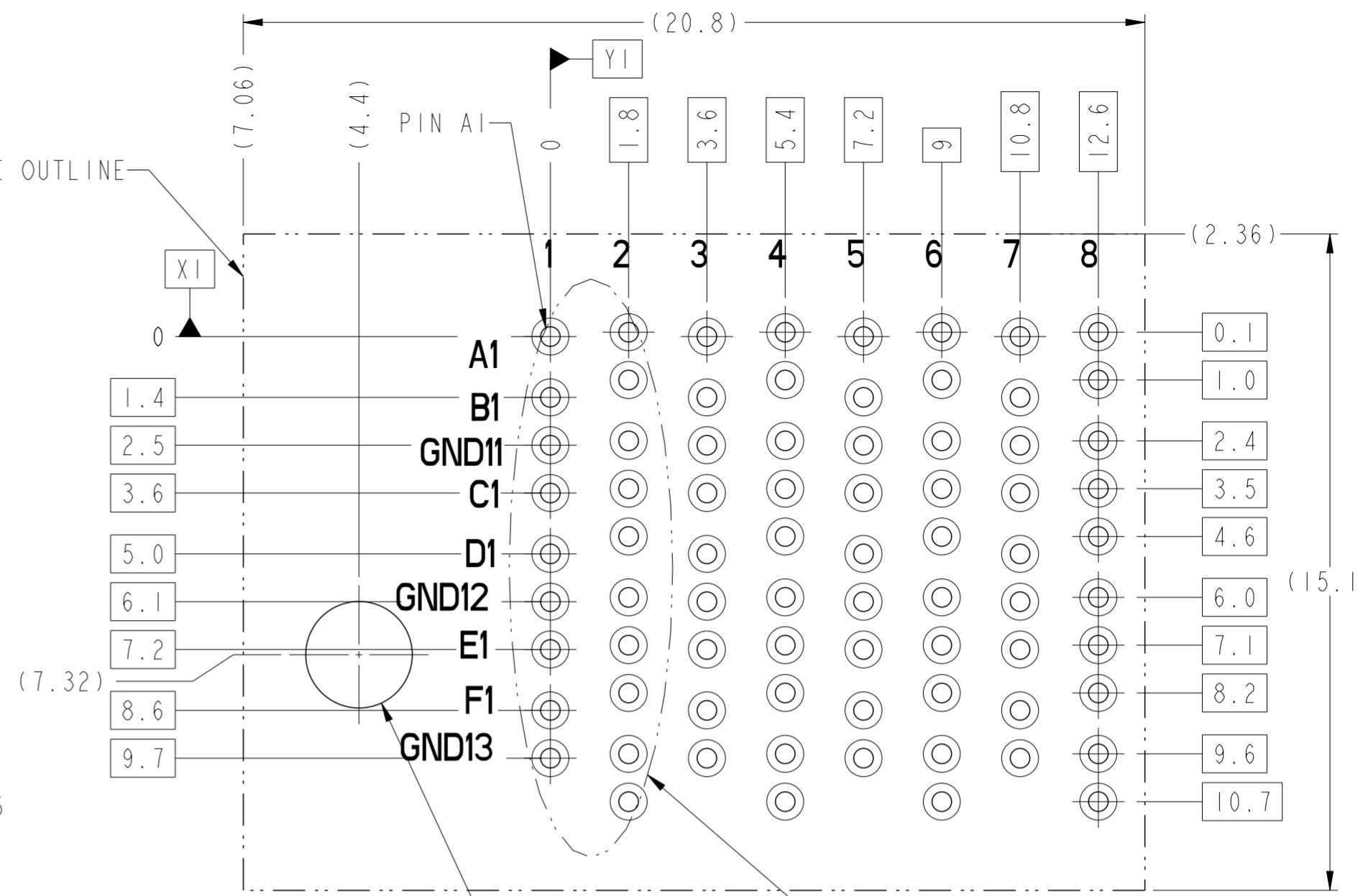


LEFT POLARIZING / GUIDE MODULE

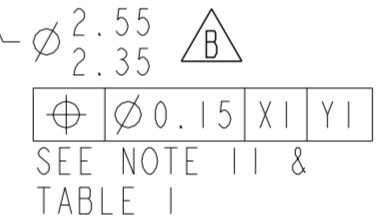
OPTIONAL KEY SEE SHEET 1  
PART NUMBER TREE



MODULE OUTLINE

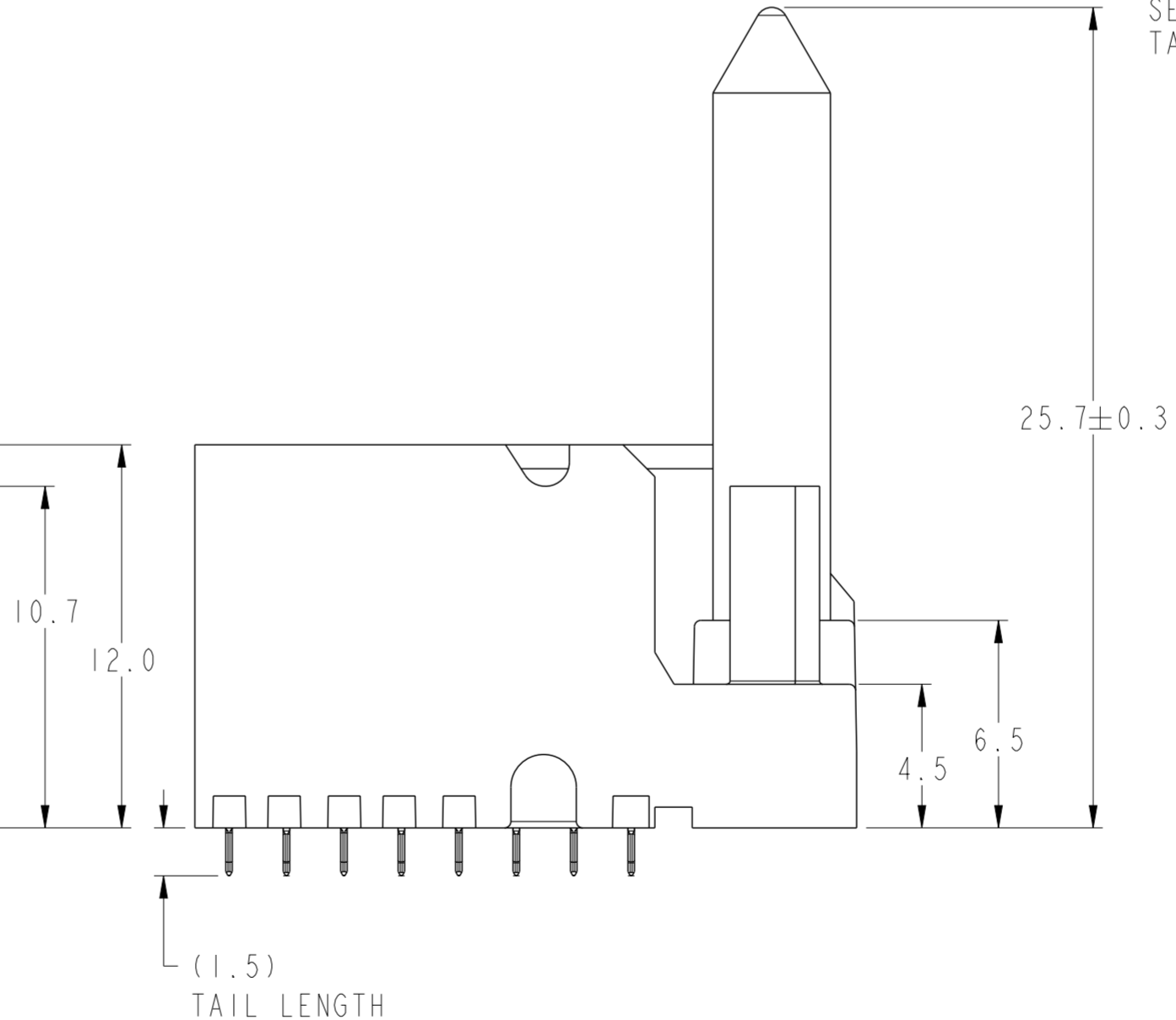
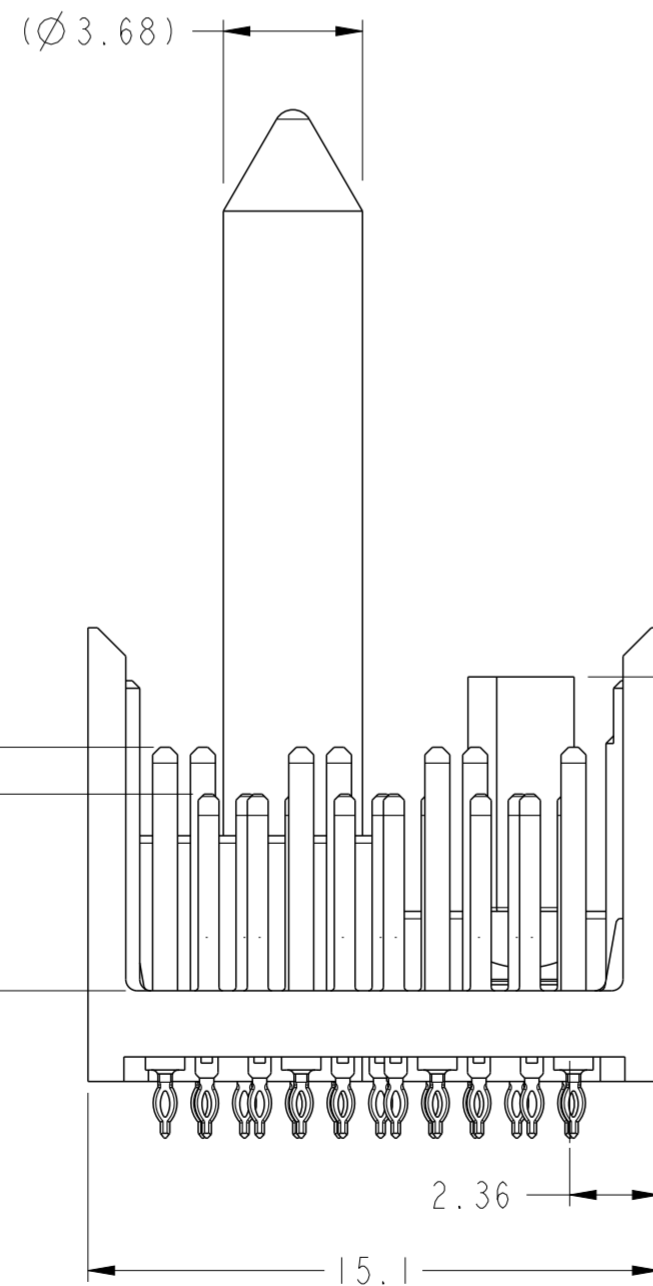
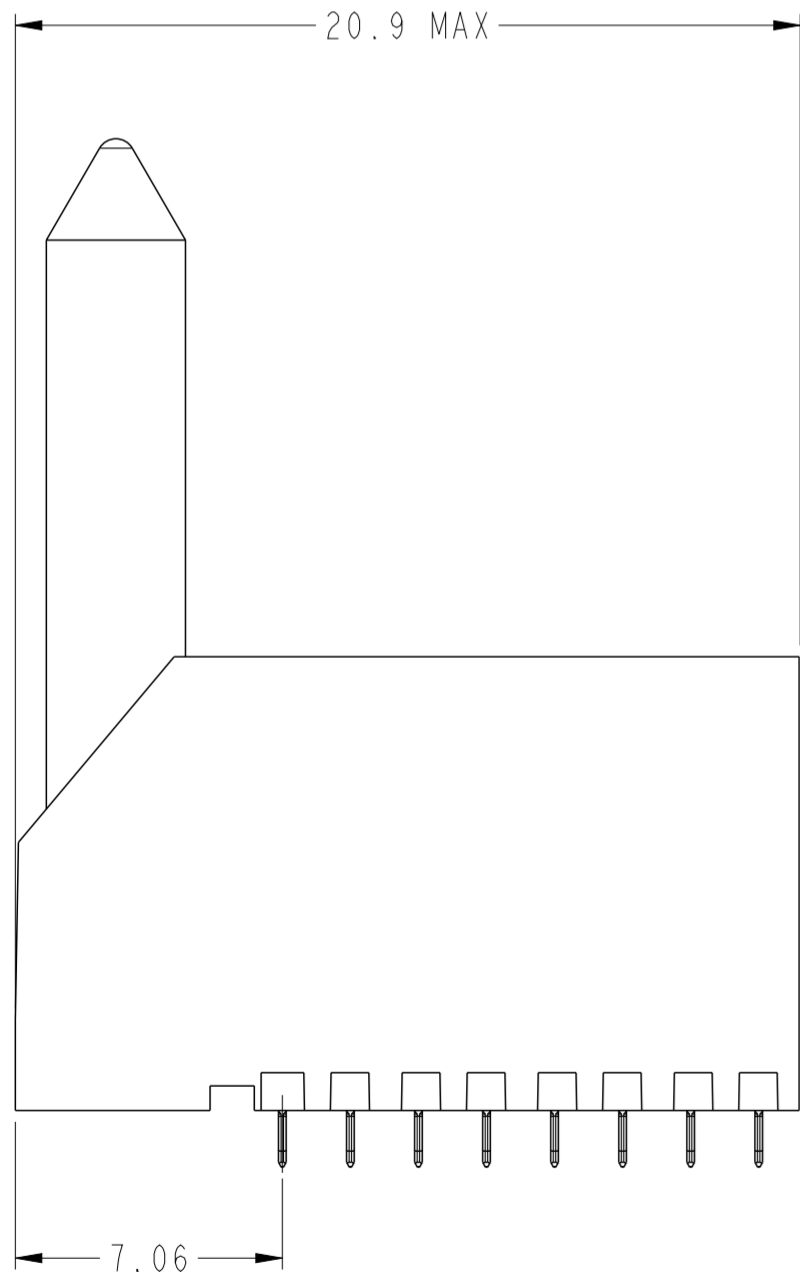


SEE DETAIL A  
ON SHEET 8 FOR PINOUT DETAILS



BP HOLE PATTERN COMPONENT SIDE

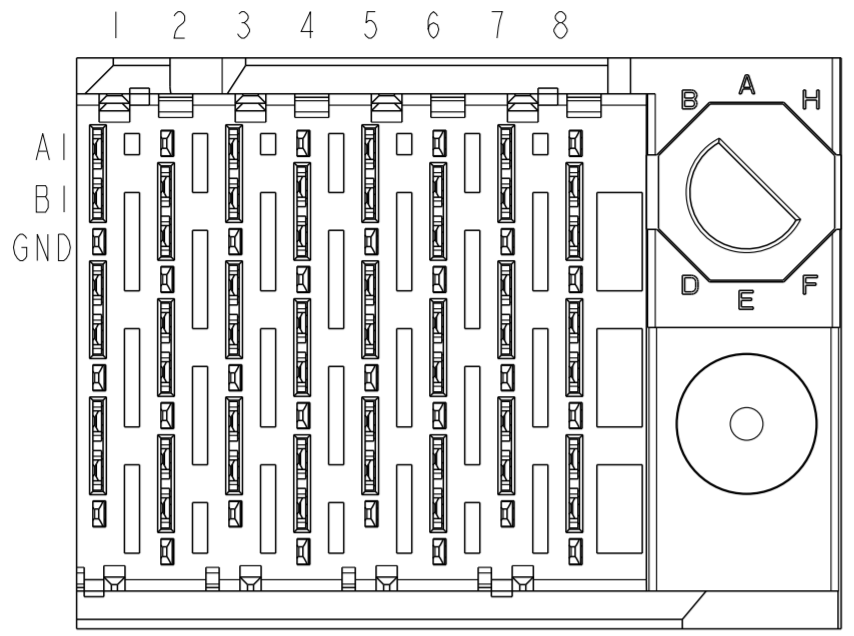
LEFT POLARIZING / GUIDE MODULE  
BACKPLANE FOOTPRINT



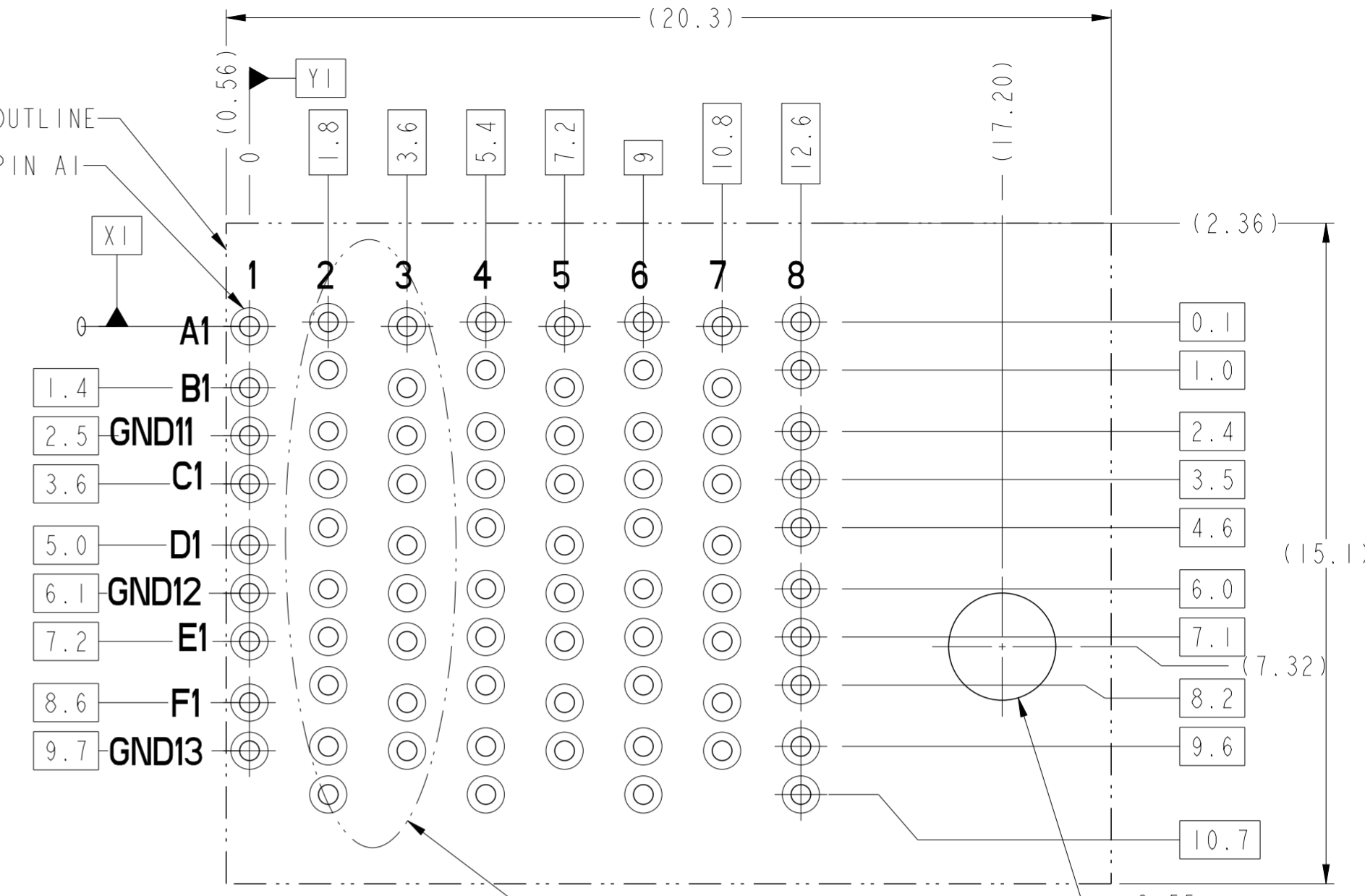
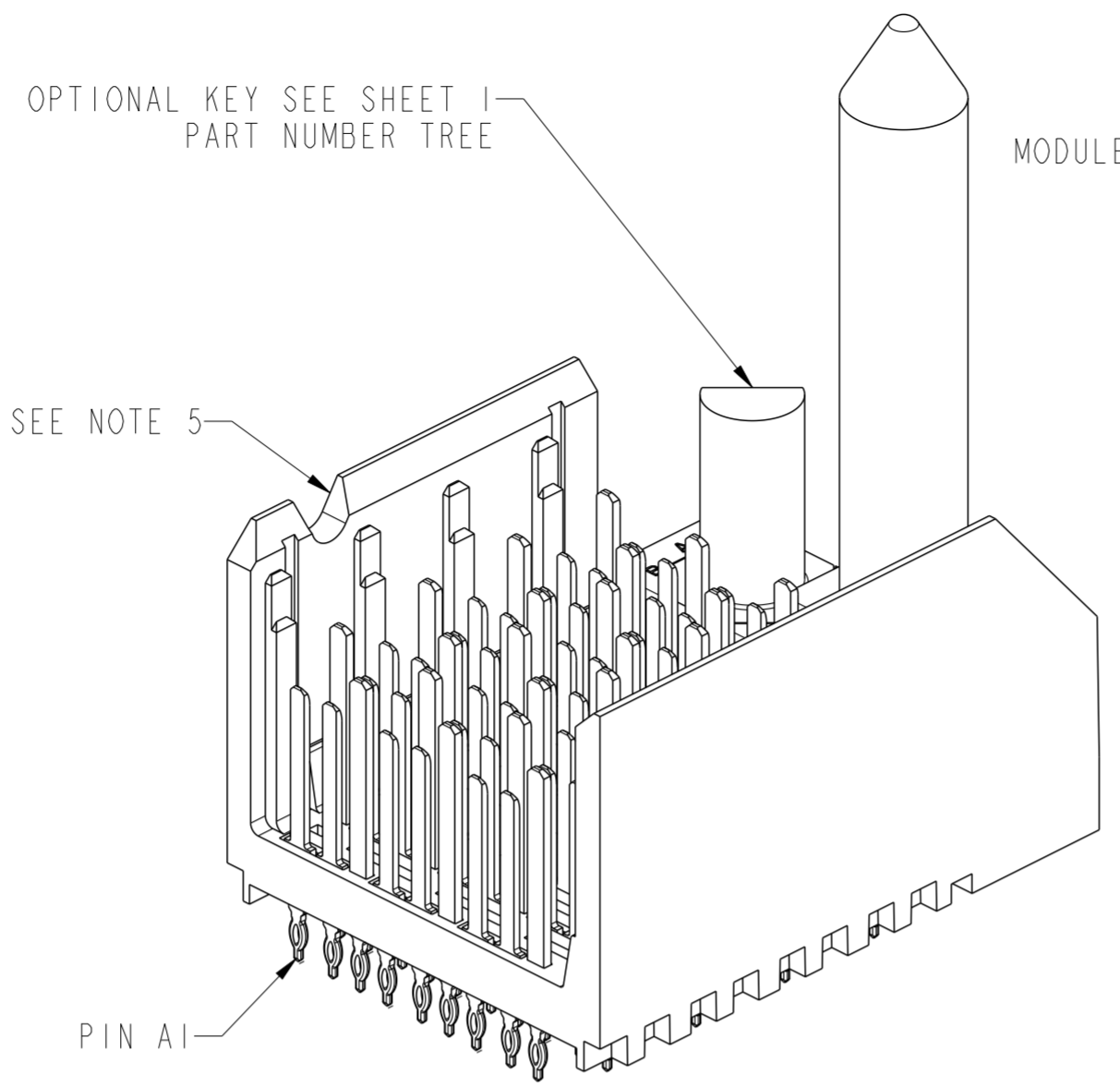
(5.2)  
FOR 3MM WIPE SIGNAL  
(4.2)  
FOR 2MM WIPE SIGNAL  
(6.4)  
FOR 4MM WIPE GROUND  
(5.4)  
FOR 3MM WIPE GROUND

Copyright FCI.  
FCI

spec ref	-	dr	Yong-Keat Lim	2012/02/17	projection	MM	size	A2	scale	5:1
tolerance std	ISO 406 ISO 1101	eng	Sandar Soe	2013/03/20	chr	-	ecn no	ELX-8-14229-1	rel level	Released
surface	ISO 1302	appr	Chen-Hong Tan	2013/04/09	product family	XCEDE HD	cat. no.	10120124	rev	B



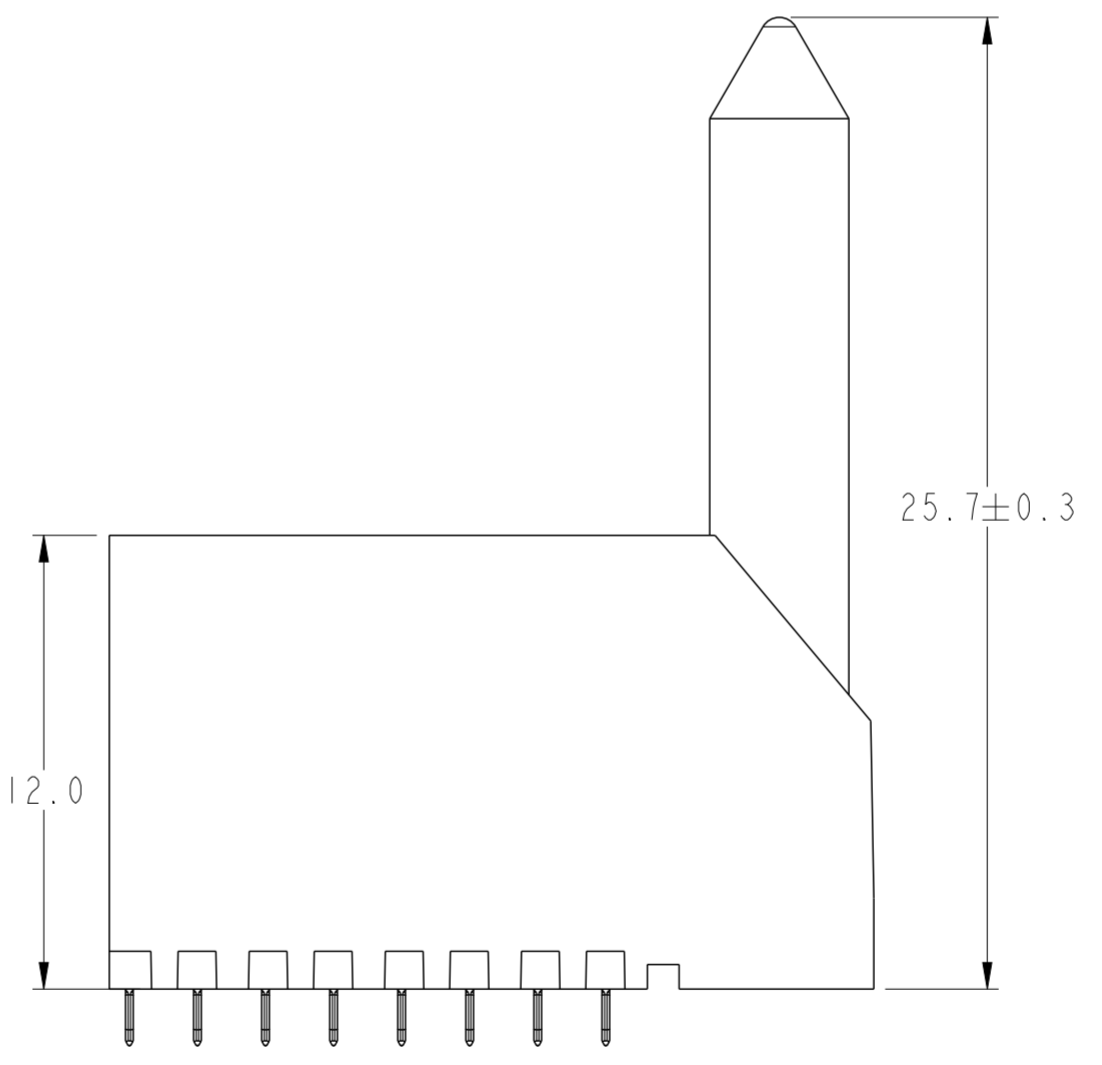
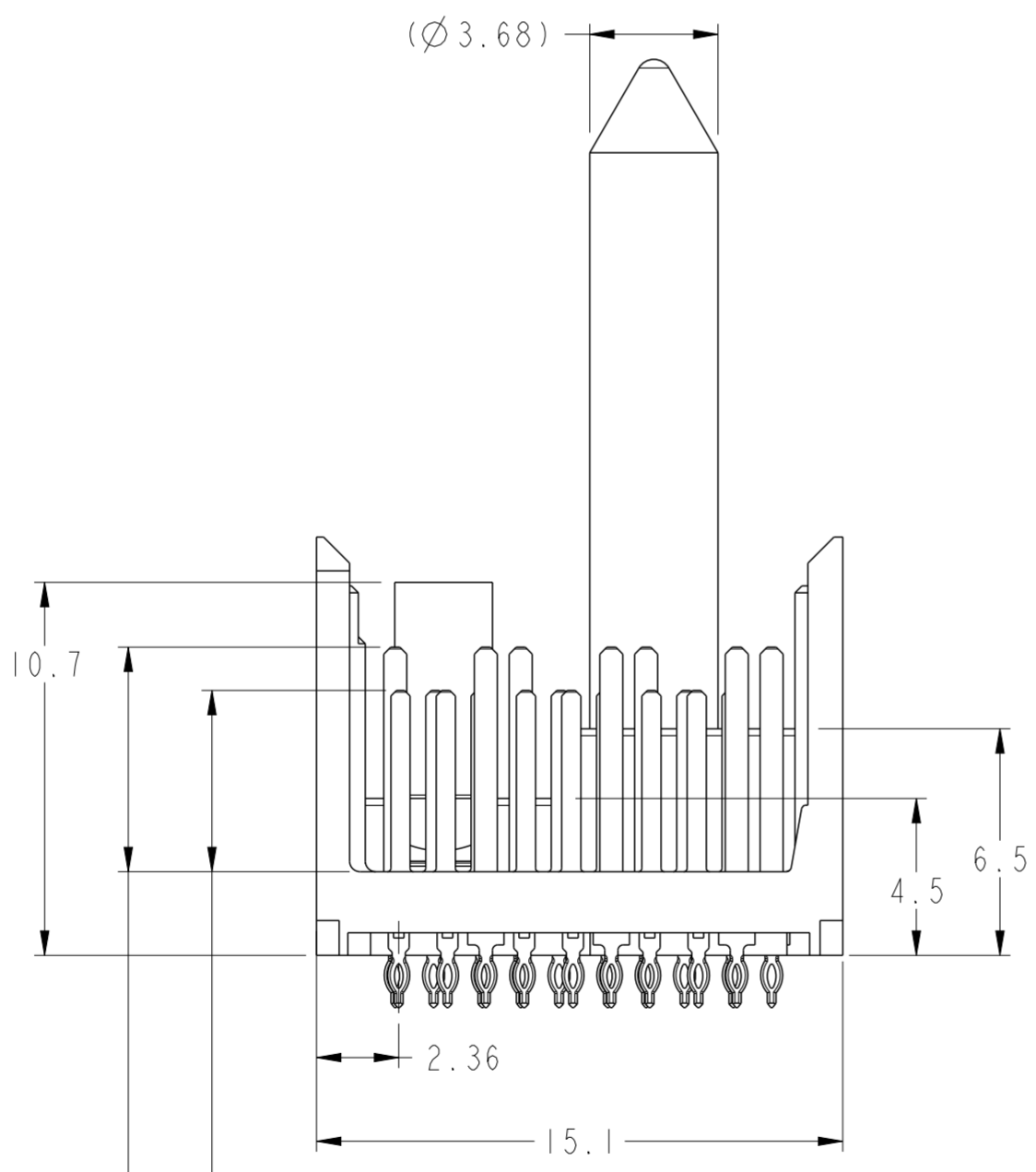
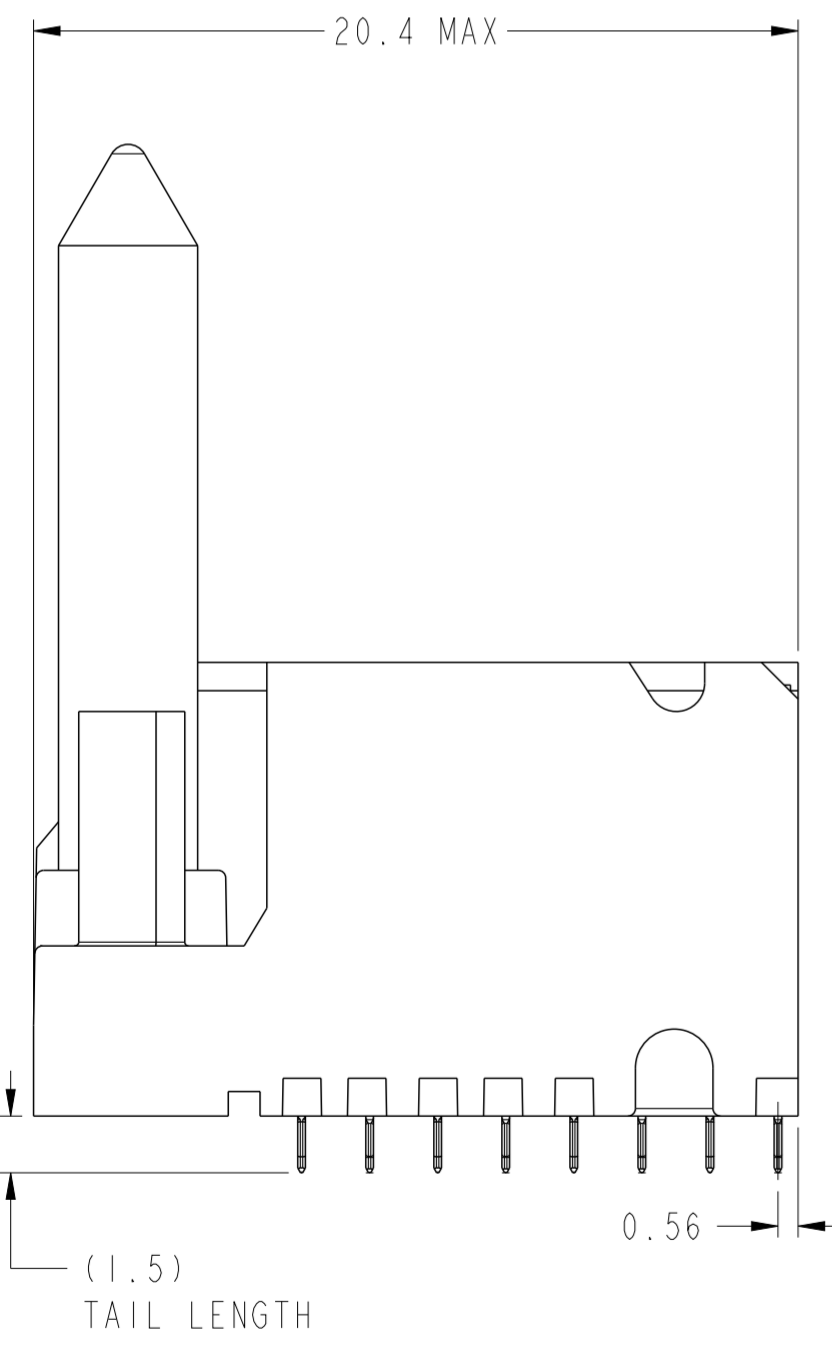
RIGHT POLARIZING / GUIDE MODULE



SEE DETAIL A ON SHEET 8 FOR PINOUT DETAILS

$\varnothing 2.55$   
 $\varnothing 2.35$   $\triangle B$   
 $\varnothing 0.15$  XI YI  
 SEE NOTE 11 & TABLE 1

BP HOLE PATTERN COMPONENT SIDE  
RIGHT POLARIZING / GUIDE MODULE  
BACKPLANE FOOTPRINT



(5.2) FOR 3MM WIPE SIGNAL  
(4.2) FOR 2MM WIPE SIGNAL  
(6.4) FOR 4MM WIPE GROUND  
(5.4) FOR 3MM WIPE GROUND

Copyright FCI.

spec ref	-	dr	Yong-Keat Lim	2012/02/17	projection	MM	size	A2	scale	5:1	
tolerance std	ISO 406 ISO 1101	eng	Sandar Soe	2013/03/20	chr	-	ecn no	ELX-8-14229-1	rel level	Released	
surface	ISO 1302	appr	Chen-Hong Tan	2013/04/09	product family	XCEDE HD	rel level	Released	cat. no.	10120124	
										rev	B