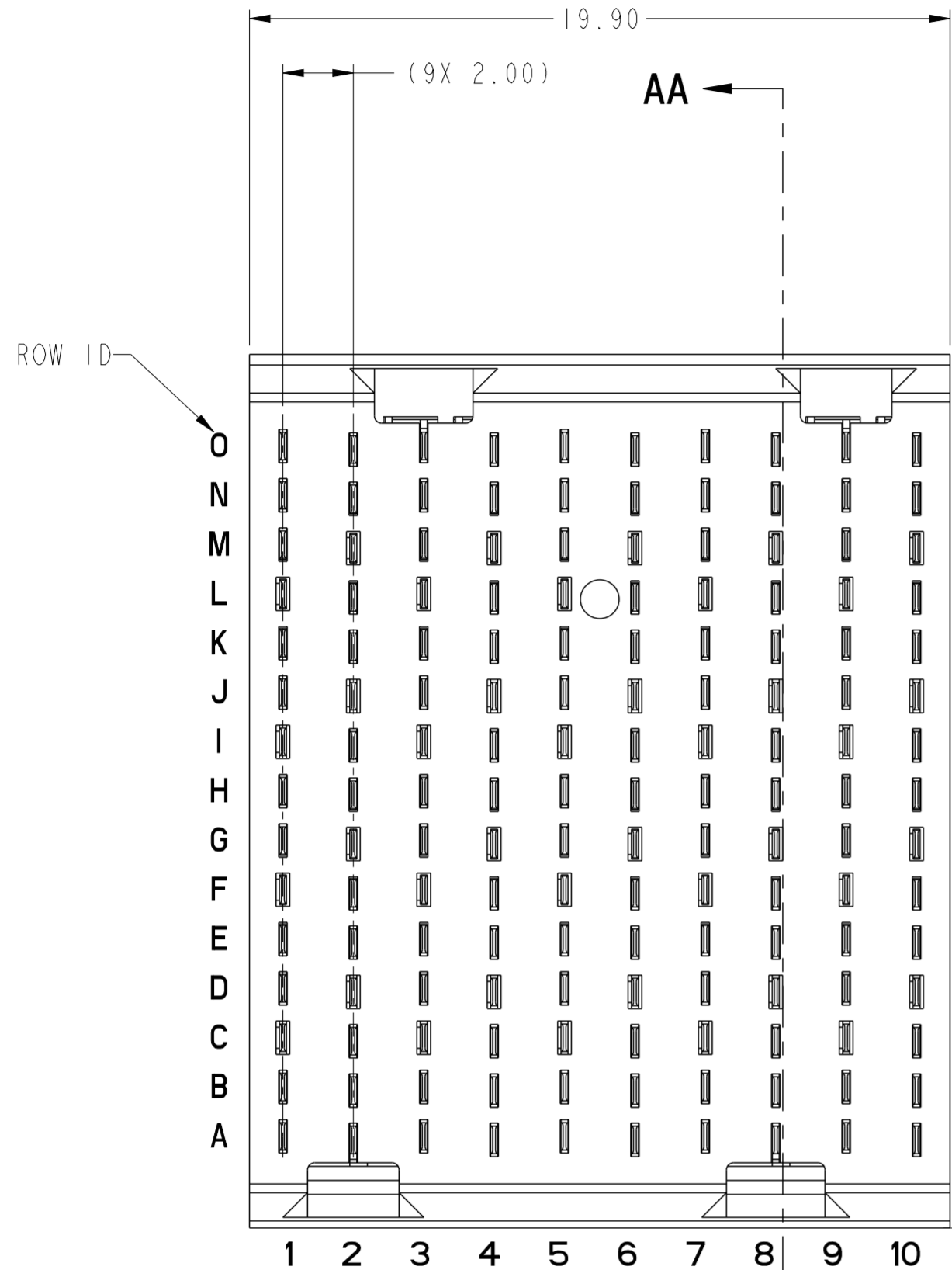


PRODUCT NUMBER
SEE SHEET 3



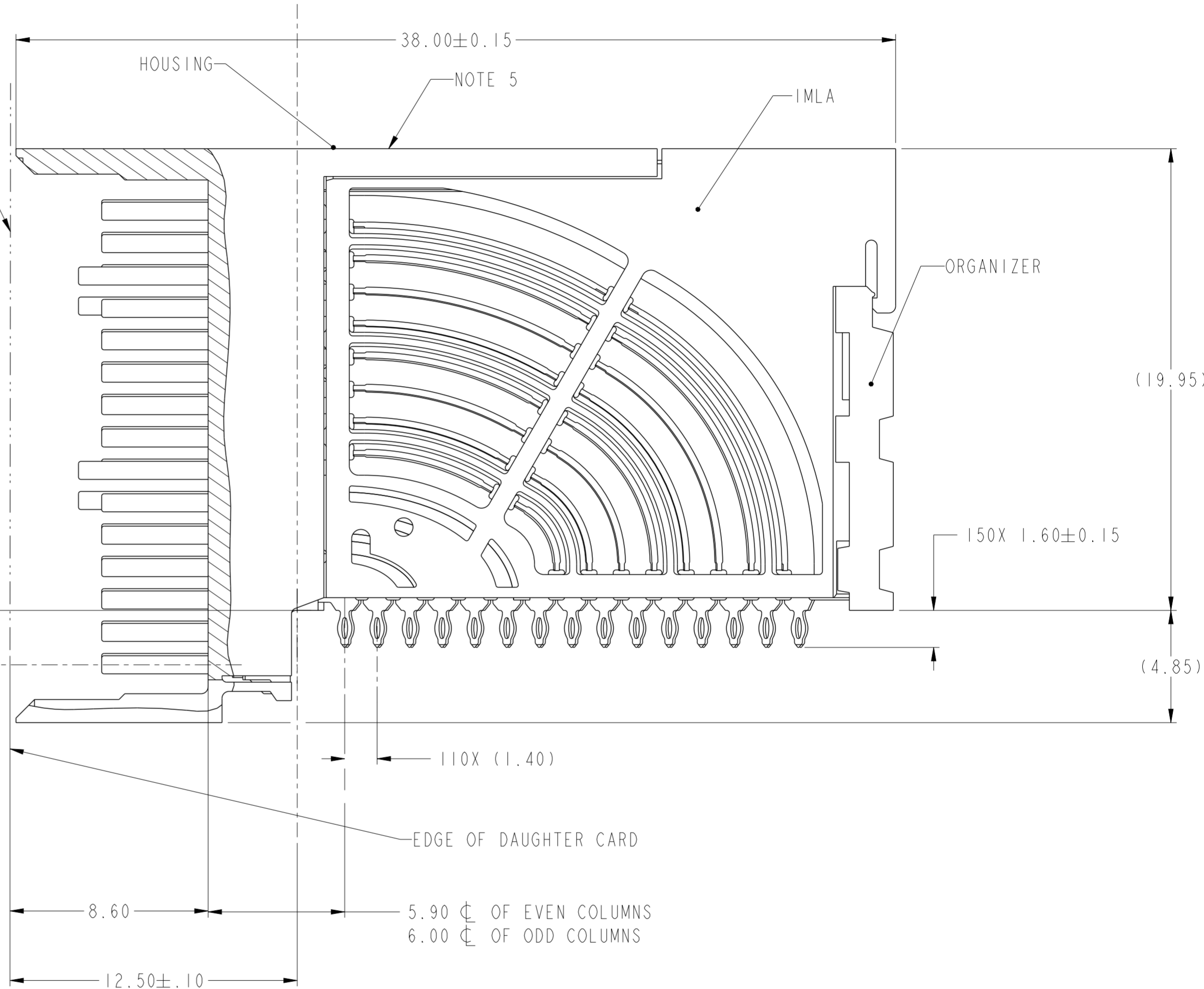
TOP SURFACE OF MOTHER BOARD

(24.80)

TOP SURFACE OF DAUGHTER CARD

2.35 ϕ OF EVEN COLUMNS
2.25 ϕ OF ODD COLUMNS

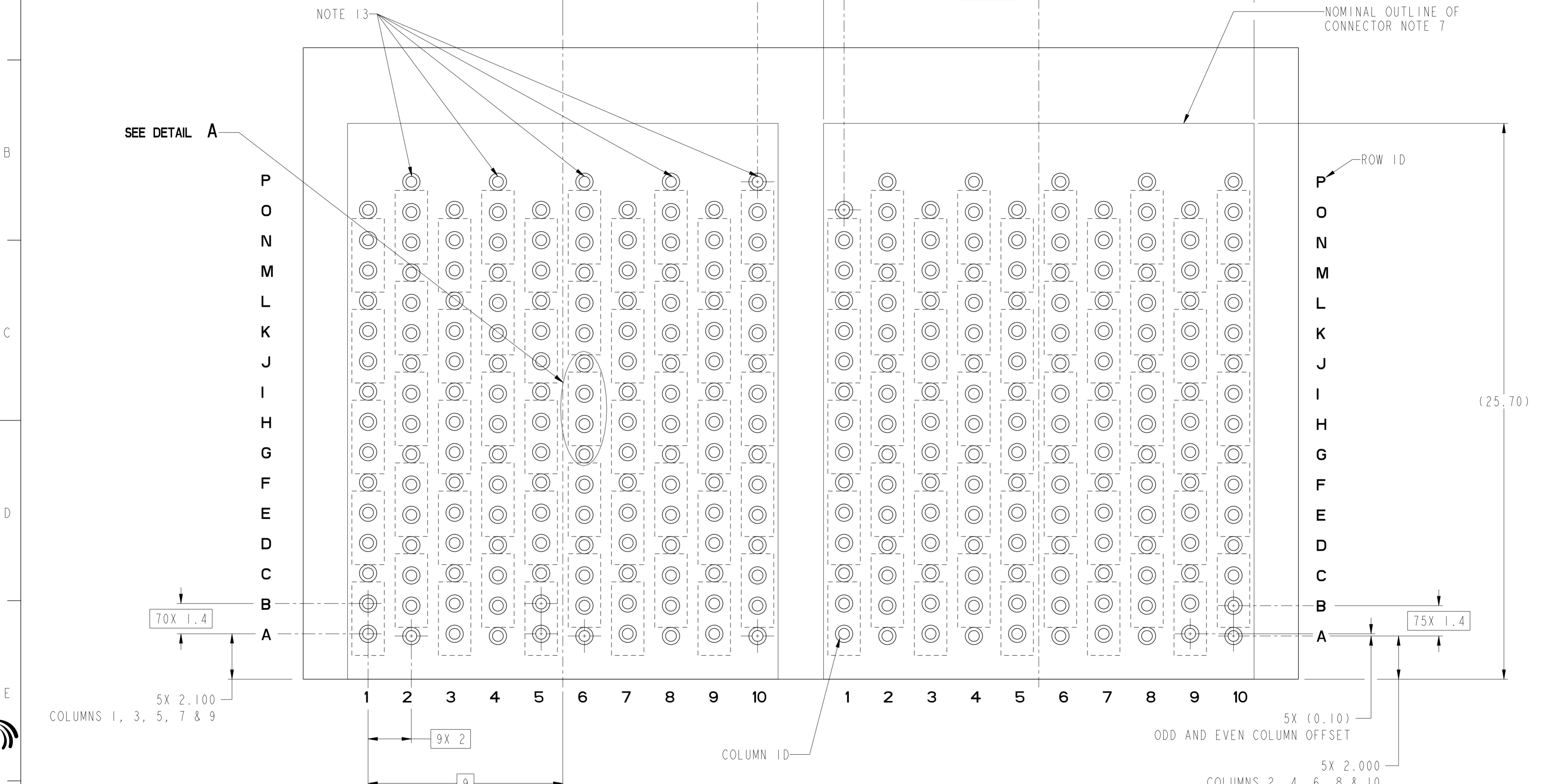
AA



SECTION AA-AA

spec ref	---	dr	N Anandakumar	2013/01/16	projection	MM	size	A2	scale	10:1										
tolerance std	ASME Y14.5M	eng	Jackie Chen	2015/01/26			ecn no	ELX-DG-20056-1												
TOLERANCES UNLESS OTHERWISE SPECIFIED		chr	-	rel level			Released													
surface	<table border="1"> <tr> <td>linear</td> <td>0.X</td> <td>±.3</td> </tr> <tr> <td></td> <td>0.XX</td> <td>±.10</td> </tr> <tr> <td></td> <td>0.XXX</td> <td>±.050</td> </tr> <tr> <td>angular</td> <td>0°</td> <td>±2°</td> </tr> </table>	linear	0.X	±.3				0.XX	±.10		0.XXX	±.050	angular	0°	±2°	appr	Collins Lu	2015/01/28	product family	-
linear	0.X	±.3																		
	0.XX	±.10																		
	0.XXX	±.050																		
angular	0°	±2°																		
				title AirMax VS2 R.A. HEADER 5 Pair, 150 pos, 2mm, 10 Col		dwg no 10123881		rev C												
		www.fci.com		cat. no. -		Product - Customer Drw		sheet 1 of 3												

DESCRIPTION	DIM "D"	DIM "E"	DIM "F"
2-20MM MODULES PLACED END TO END	2.0	19.90 2X	20.00
1-20MM MODULE & 1-22MM MODULE PLACE END TO END	3.0	19.90 1X & 21.90 1X	21.00



RECOMMENDED PCB LAYOUT
FOR DIFFERENTIAL APPLICATIONS
COMPONENT SIDE
(TWO ADJACENT FOOTPRINTS SHOWN)
NOTES 8 & 11
SCALE 8:1

spec ref	---	dr	N Anandakumar	2013/01/16	projection	MM	size	A2	scale	8:1
tolerance std	ASME Y14.5M	eng	Jackie Chen	2015/01/26			ecn no	ELX-DG-20056-1		
TOLERANCES UNLESS OTHERWISE SPECIFIED		chr	-	rel level			Released			
surface	✓	appr	Collins Lu	2015/01/28	product family	-	rel level	Released		
linear	0.X ±.3 0.XX ±.10 0.XXX ±.050			title AirMax VS2 R.A. HEADER 5 Pair, 150 pos, 2mm, 10 Col		cat. no.	rel level	sheet 2 of 3	rev C	
angular	0° ±2°	www.fci.com		Product - Customer Drw		STATUS: Released				

Copyright FCI.