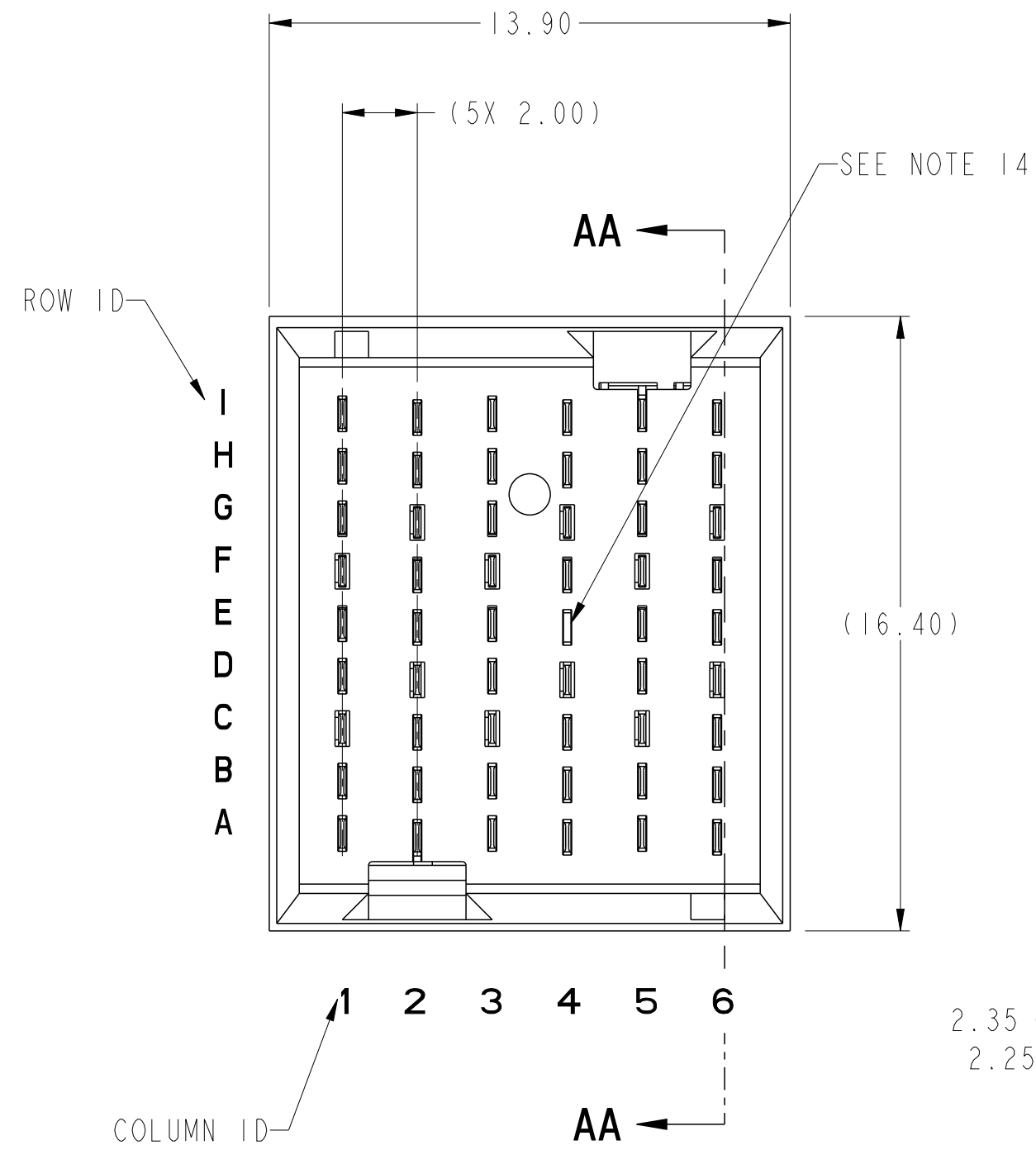
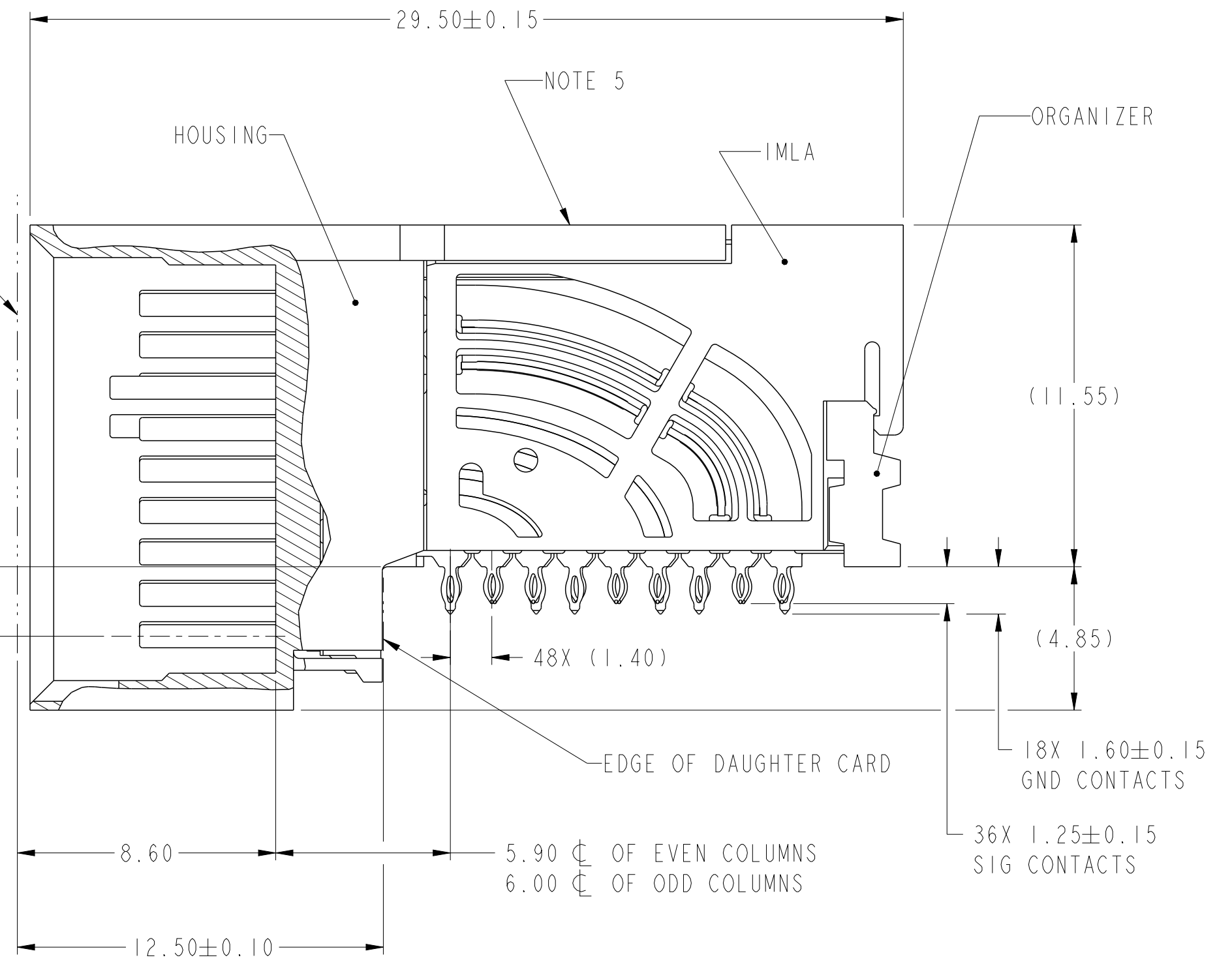


PRODUCT NUMBER
SEE SHEET 3



2.35 ϕ OF EVEN COLUMNS
2.25 ϕ OF ODD COLUMNS



SECTION AA-AA

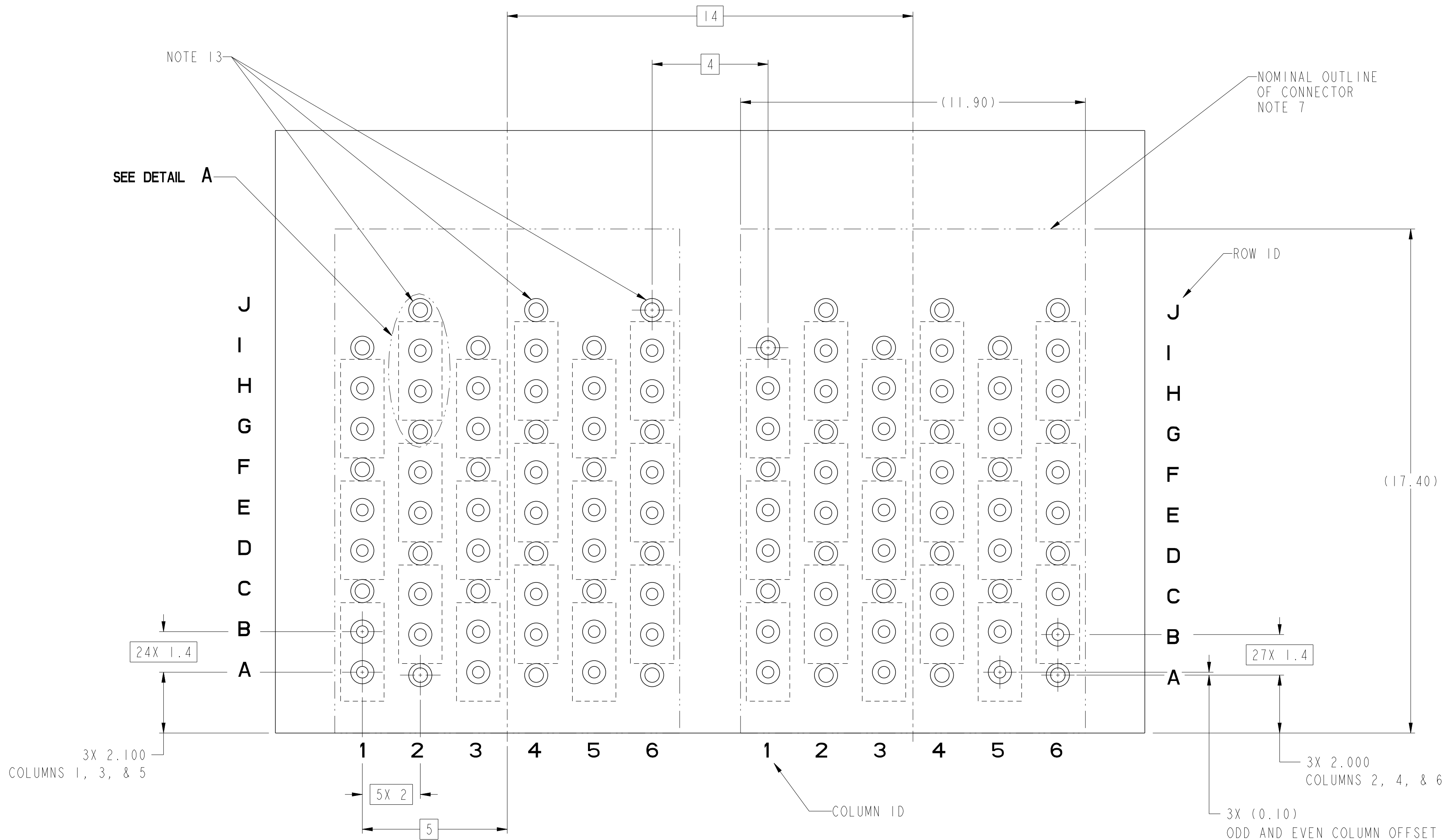
Copyright FCI.
FCI

spec ref	---	dr	Lin-Soe Ngwe	2013/01/23	projection	MM	size	A2	scale	6:1		
tolerance std	ASME Y14.5M	eng	Jackie Chen	2015/02/03			ecn no	ELX-DG-20160-1	rel level	Released		
TOLERANCES UNLESS OTHERWISE SPECIFIED		chr	-	app							Collins Lu	2015/02/06
surface	✓	linear	0.X	±.3		title AirMax VS2 R.A. HEADER 3 Pair, 54 pos, 2mm, 6Col, Small Press Fit	dwg no 10124149	rev D	www.fci.com	cat. no. -		
			0.XX	±.10							Product - Customer Draw	sheet 1 of 3
			0.XXX	±.050								
		angular	0°	±2°								

PDS: Rev :D

STATUS:Released

Printed: Feb 09, 2015



NOTE 13
SEE DETAIL A

NOMINAL OUTLINE OF CONNECTOR NOTE 7

ROW ID

COLUMN ID

RECOMMENDED PCB LAYOUT
FOR DIFFERENTIAL APPLICATIONS
COMPONENT SIDE
(TWO ADJACENT FOOTPRINTS SHOWN)
NOTES 8 & 12

SCALE 10:1



spec ref	---	dr	Lin-Soe Ngwe	2013/01/23	projection	MM	size	A2	scale	8:1			
tolerance std	ASME Y14.5M	eng	Jackie Chen	2015/02/03			ecn no	ELX-DG-20160-1					
TOLERANCES UNLESS OTHERWISE SPECIFIED		chr	-	appr			Collins Lu	2015/02/06	product family	AirMax VS2			
surface	✓	linear	0.X	±.3		title AirMax VS2 R.A. HEADER 3 Pair, 54 pos, 2mm, 6Col, Small Press Fit	dwg no 10124149	rev D	rel level		Released		
			0.XX	±.10					cat. no.	Product - Customer Drw		sheet 2 of 3	
		angular	0°	±2°									