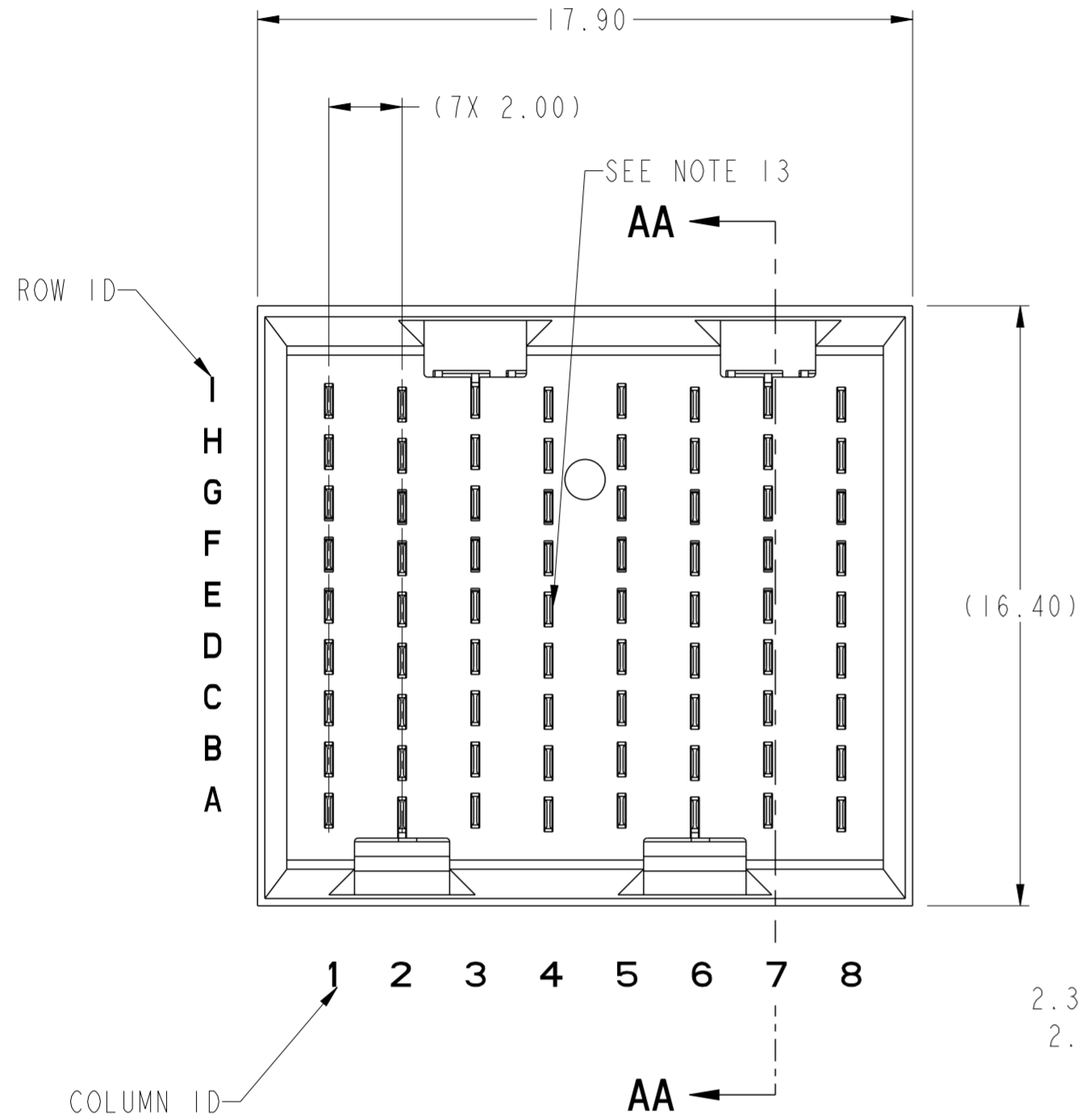


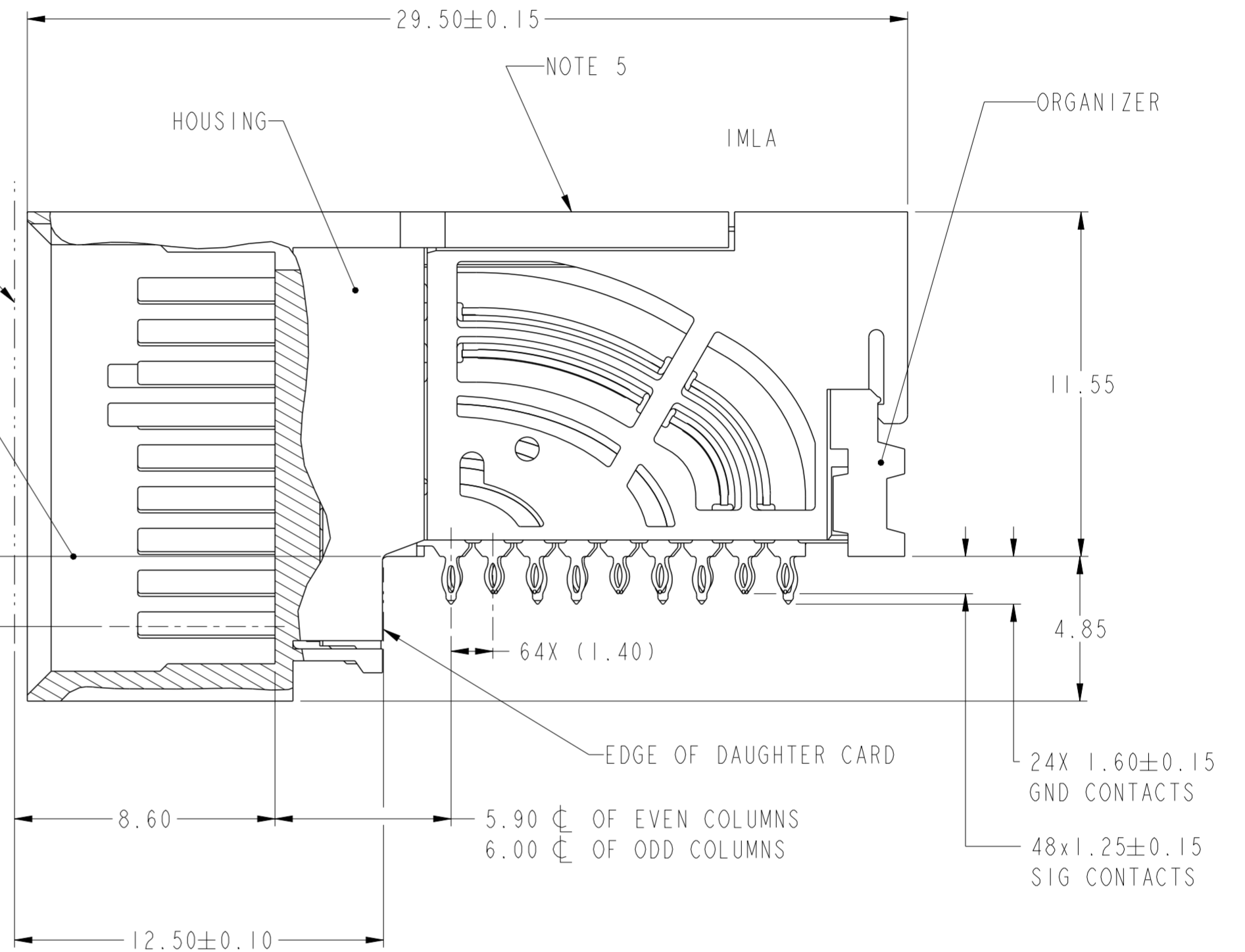
PRODUCT NUMBER
SEE SHEET 3



TOP SURFACE OF MOTHER BOARD

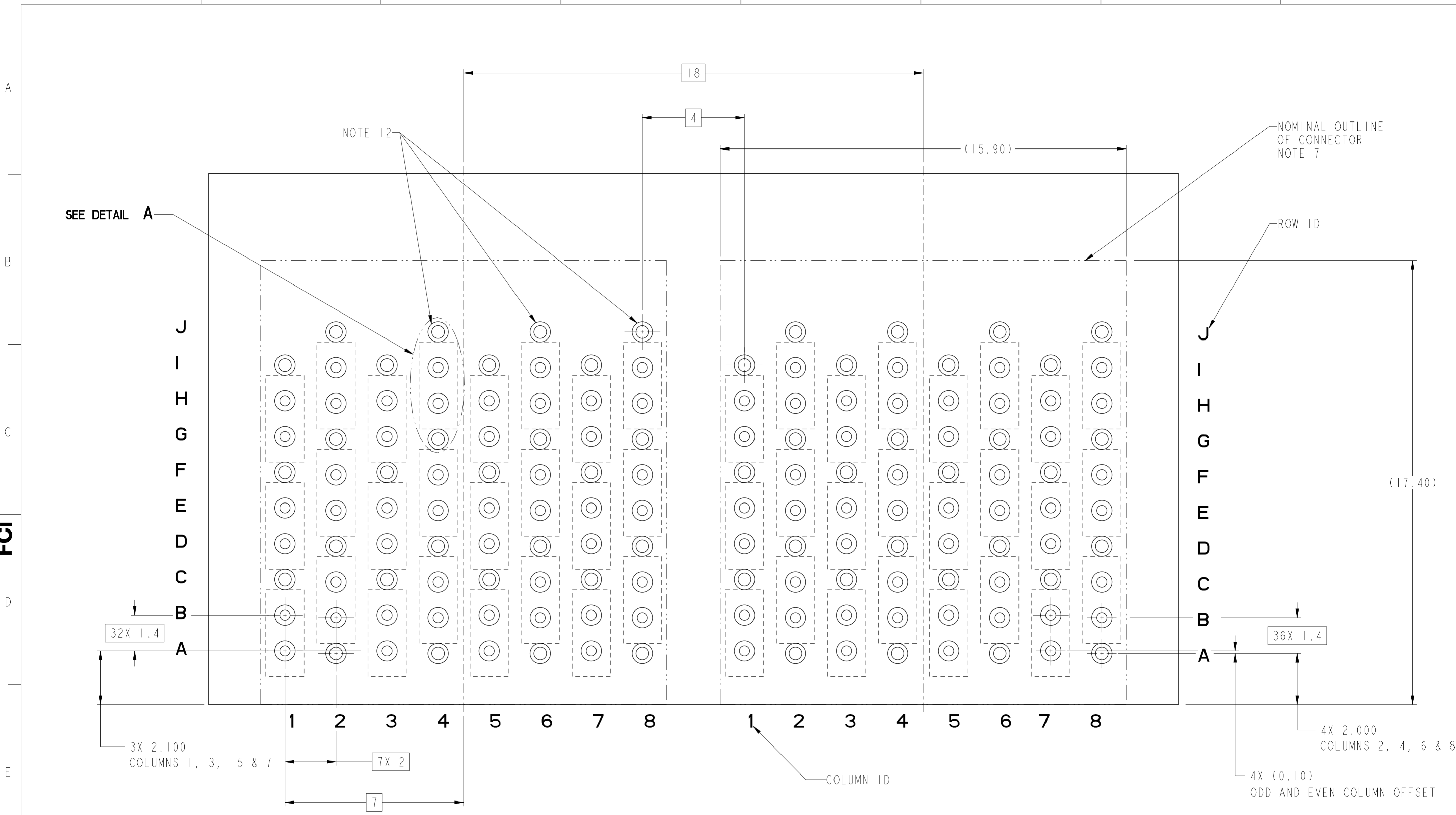
TOP SURFACE OF DAUGHTER CARD

2.35 ϕ OF EVEN COLUMNS
2.25 ϕ OF ODD COLUMNS



SECTION AA-AA

spec ref	---	dr	Lin-Soe Ngwe	2013/03/20	projection	MM	size	A2	scale	6:1										
tolerance std	ASME Y14.5M	eng	Art Lin	2016/11/15			ecn no	ELX-DG-25255-1	rel level	Released										
TOLERANCES UNLESS OTHERWISE SPECIFIED		chr	Heaven Cen	2016/11/17																
		appr	Pai-Ming Zheng	2016/11/18																
surface	<table border="1"> <tr> <td>linear</td> <td>0.X</td> <td>±.3</td> </tr> <tr> <td></td> <td>0.XX</td> <td>±.15</td> </tr> <tr> <td></td> <td>0.XXX</td> <td>±.050</td> </tr> <tr> <td>angular</td> <td>0°</td> <td>±2°</td> </tr> </table>	linear	0.X	±.3		0.XX	±.15		0.XXX	±.050	angular	0°	±2°			Amphenol FCI title AirMax VS2 R.A. HEADER 3 Pair, 72 pos, 2mm, 8Col, Small Press Fit		product family AirMax VSE	rev no 10124755	rev E
linear	0.X	±.3																		
	0.XX	±.15																		
	0.XXX	±.050																		
angular	0°	±2°																		
		www.fci.com	cat. no.	-	Product - Customer Drw		sheet 1 of 3													



RECOMMENDED PCB LAYOUT
FOR DIFFERENTIAL APPLICATIONS
COMPONENT SIDE
(TWO ADJACENT FOOTPRINTS SHOWN)
NOTES 8 & 12

SCALE 10:1

spec ref	---	dr	Lin-Soc Ngwe	2013/03/20	projection	MM	size	A2	scale	8:1									
tolerance std	ASME Y14.5M	eng	Art Lin	2016/11/15			ecn no	ELX-DG-25255-1											
TOLERANCES UNLESS OTHERWISE SPECIFIED		chr	Heaven Cen	2016/11/17				rel level	Released										
surface	<table border="1"> <tr> <td>linear</td> <td>0.X</td> <td>±.3</td> </tr> <tr> <td></td> <td>0.XX</td> <td>±.15</td> </tr> <tr> <td></td> <td>0.XXX</td> <td>±.050</td> </tr> <tr> <td>angular</td> <td>0°</td> <td>±2°</td> </tr> </table>	linear	0.X	±.3						0.XX	±.15		0.XXX	±.050	angular	0°	±2°	appr	Pai-Ming Zheng
linear	0.X	±.3																	
	0.XX	±.15																	
	0.XXX	±.050																	
angular	0°	±2°																	
<p>Amphenol FCI</p> <p>www.fci.com</p>		<p>Amphenol FCI</p> <p>3 Pair, 72 pos, 2mm, 8Col, Small Press Fit</p>		<p>product family</p> <p>AirMax VSE</p>		<p>title</p> <p>AirMax VS2 R.A. HEADER</p>		<p>cat. no.</p> <p>10124755</p>		<p>rev</p> <p>E</p>									