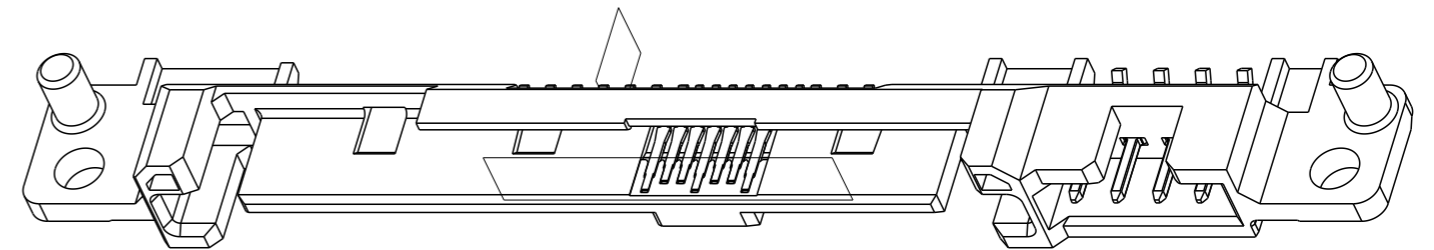
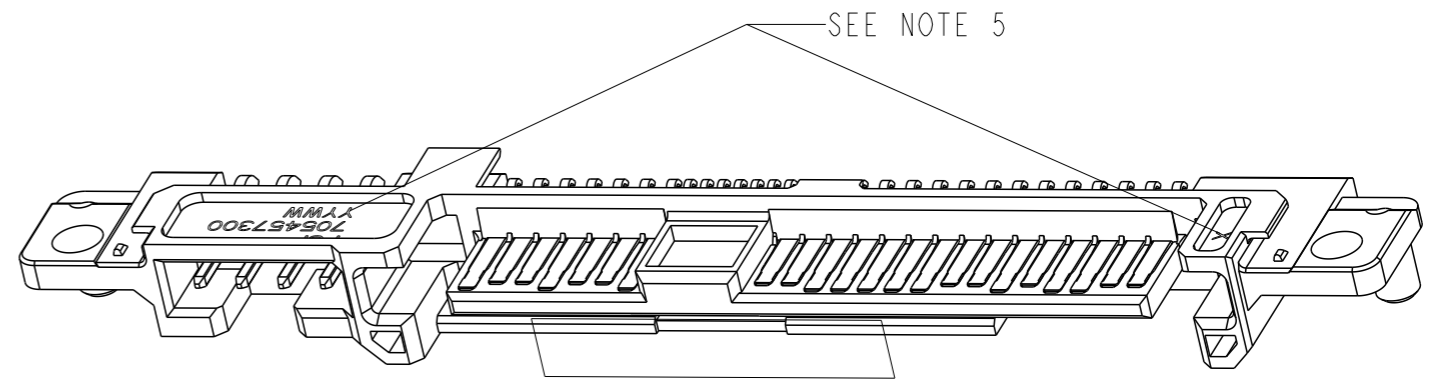
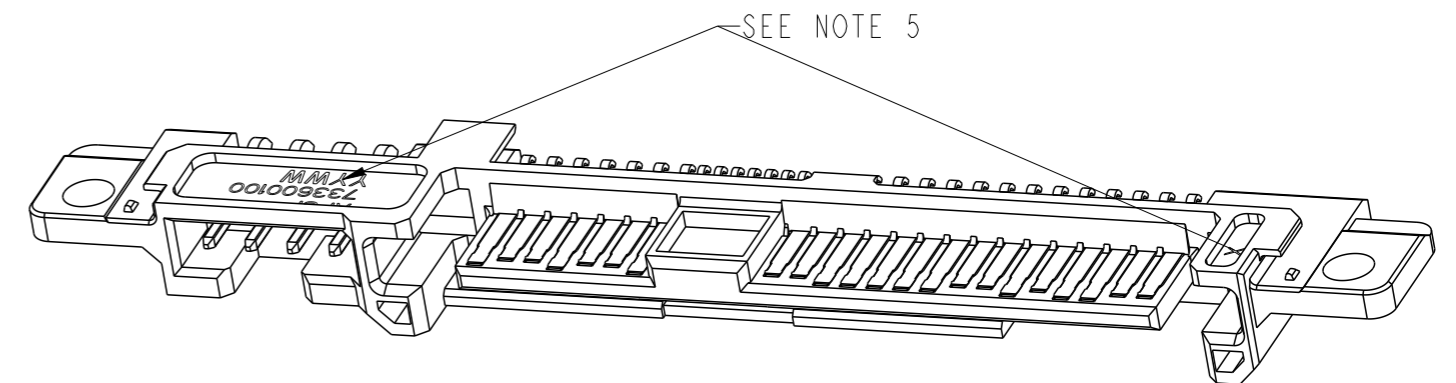


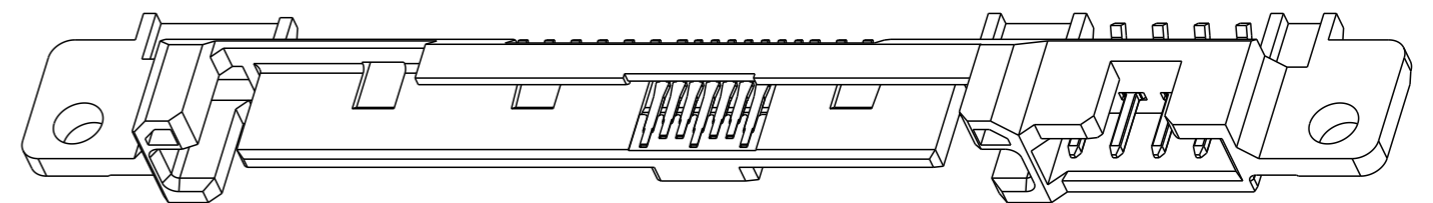
PRODUCT NO.	CUSTOMER P/N.	PACKAGING
10128658-001LF	705457300	TUBE
10128658-002LF	733600100	



10128658-001LF



SCALE 3:1



SCALE 3:1

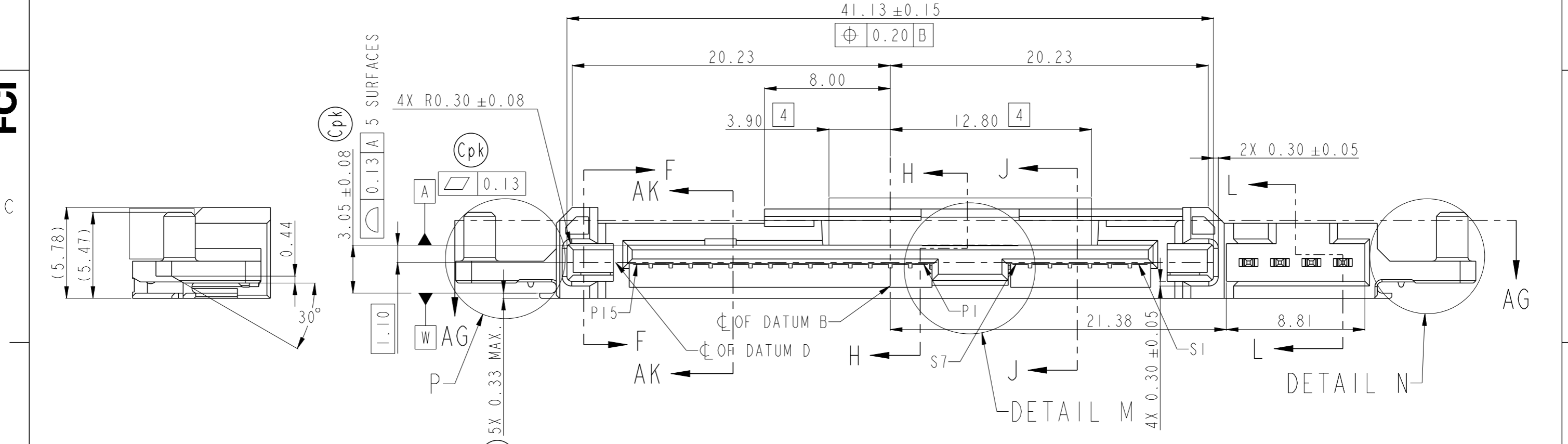
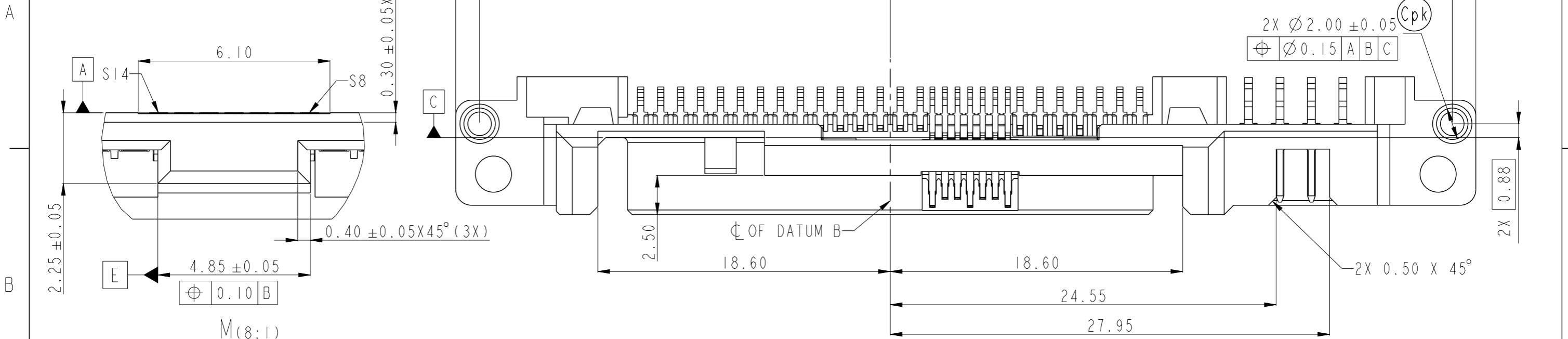
10128658-002LF

- NOTES: UNLESS OTHERWISE SPECIFIED
- APPLICABLE INDUSTRY SPECIFICATIONS:
 - SFF8680 INTERNAL SERIAL ATTACHMENT CONNECTOR
 - MATERIALS:
 - HOUSING: HIGH TEMPERATURE THERMOPLASTIC, COLOUR: BLACK, UL94V-0.
 - CONTACT, JUMPER AND GROUND CONTACT: COPPER ALLOY
 - PLATING:
 - CONTACT: 0.76um MIN. Au ON CONTACT AREA, 1.91um MIN. MATTE Sn(LEAD-FREE) ON SOLDER TAILS 1.27um MIN. / 2.54um MAX. NICKEL BARRIER BETWEEN CONTACT AREA AND SOLDER TAIL AREA.
 - JUMPER: 0.076um MIN. Au ON CONTACT AREA, 1.91um MIN. MATTE Sn(LEAD-FREE) ON SOLDER TAILS 1.27um MIN. / 2.54um MAX. Ni UNDERPLATE OVERALL,
 - GROUND CONTACT: 1.27um MIN. Ni UNDERPLATE OVERALL
 - PIN RETENTION FORCE: 318gf MIN. PER PIN BEFORE AND AFTER REFLOW
 - KEEP-OUT AREA DEFINED FOR HOUSING AND PINS. PINS SHOULD BE RECESSED WITHIN HOUSING TO PREVENT SHORTING TO BASE DECK
 - CUSTOMER PARTNUMBER, VENDOR LOGO, CAVITY NUMBER AND DATECODE TO BE SHOWN AT THIS AREA
 - PRODUCT SPECIFICATION: GS-12-1120
 - PACKAGING SPECIFICATION: GS-14-450
 - THIS PRODUCT MEETS EUROPEAN UNION DIRECTIVES AND OTHER COUNTRY REGULATIONS AS DESCRIBED IN GS-47-0004
 - THE HOUSING WILL WITHSTAND EXPOSURE TO 260°C PEAK TEMPERATURE FOR 10 SECONDS IN A CONVECTION, INFRA-RED OR VAPOR PHASE REFLOW OVEN
 - A SYMBOL WILL BE NEXT TO ANY DIMENSION, VIEW OR NOTE WHICH HAS BEEN MODIFIED WITH THE CURRENT DRAWING REVISION

spec ref				dr	Jeffrey Lim	2014/04/01	projection	MM	size	A3	scale	3:1
tolerance std	TOLERANCES UNLESS OTHERWISE SPECIFIED			eng	Jeffrey Lim	2018/01/05		← →	ecn no	ELX-S-28927-1		
ASME Y14.5				chr	-	-			rel level	Released		
surface	linear	0.X	±	Amphenol FCI	2.5" 12G SAS PLUG			dwg no	10128658		rev	B
		0.XX	±0.10									
		0.XXX	±0.100									
	angular	0°	±2°	cat. no.	-			Product - Customer Drw		sheet 1 of 8		

PRODUCT NO.
SEE TABLE

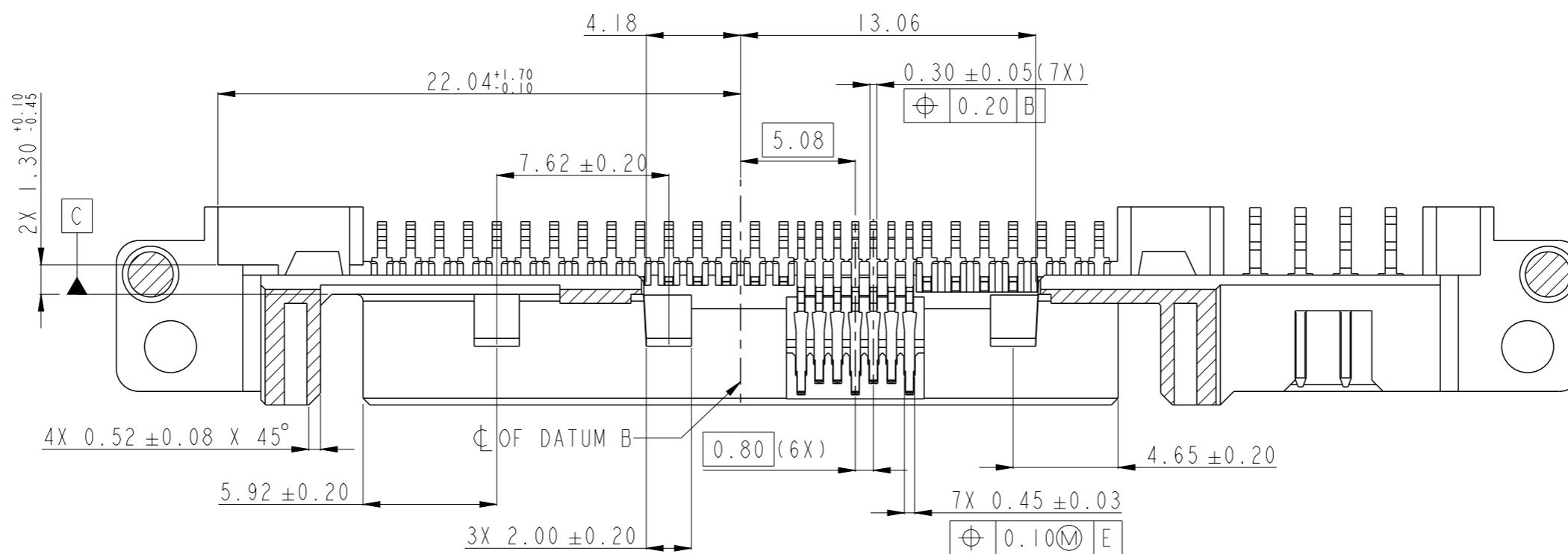
64.89 ± 0.20



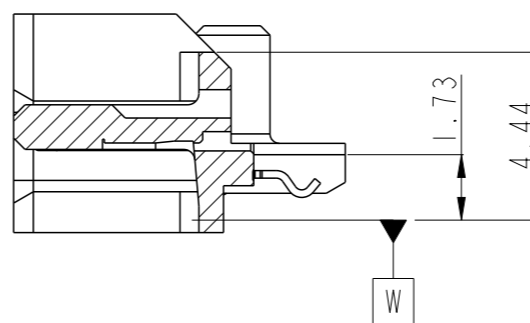
© 2016 AFCI
 Amphenol
 FCI

spec ref	dr	Jeffrey Lim	2014/04/01	projection	MM	size	A3	scale	4:1
tolerance std	eng	Jeffrey Lim	2018/01/05			ecn no	ELX-S-28927-1	rel level	Released
ASME Y14.5	chr	-	product family						
TOLERANCES UNLESS OTHERWISE SPECIFIED surface ✓ linear	0.X	±	Amphenol FCI 2.5" 12G SAS PLUG Z-HT. 3.05 cat. no. - Product - Customer Drw						
	0.XX	±0.10							
0.XXX	±0.100		sheet 2 of 8						
angular	0°	±2°							

PRODUCT NO.
SEE TABLE



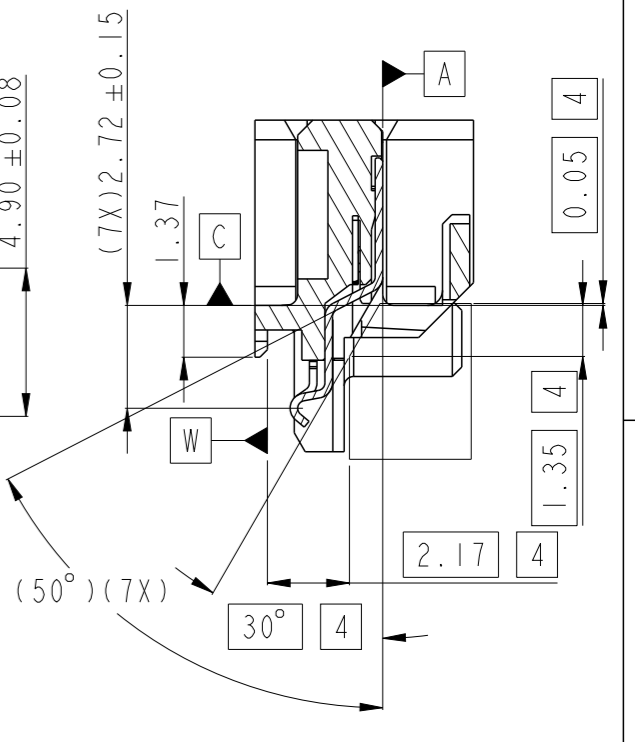
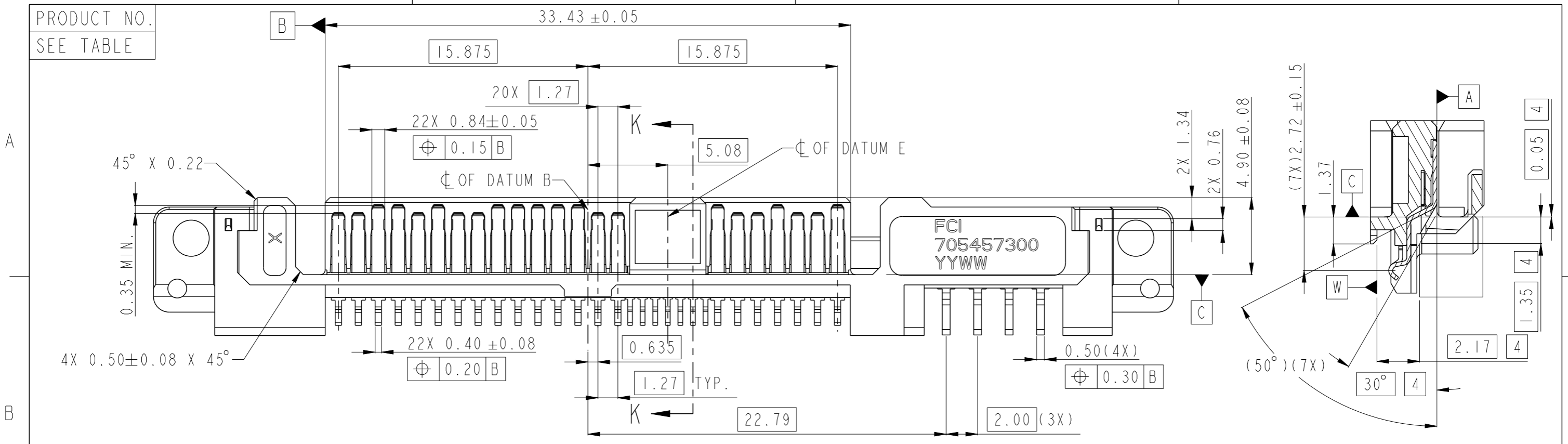
SECTION AG-AG



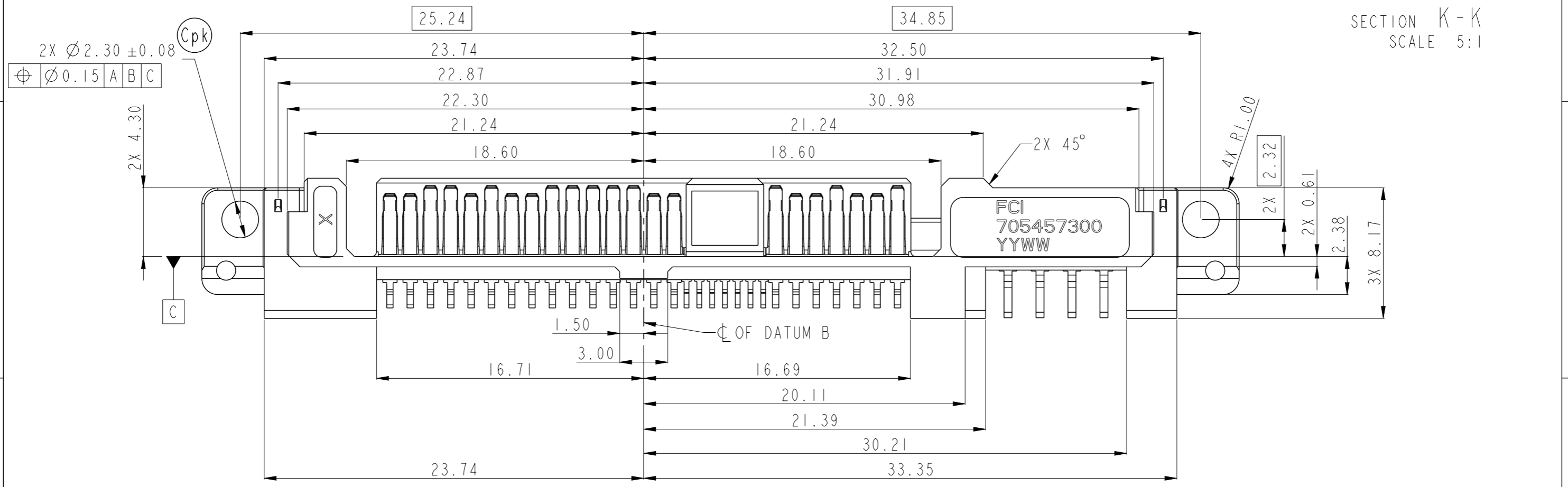
SECTION AK-AK
SCALE 5:1

spec ref				dr	Jeffrey Lim	2014/04/01	projection	MM	size	A3	scale	4:1
tolerance std				eng	Jeffrey Lim	2018/01/05			ecn no			
ASME Y14.5				chr	-	ELX-S-28927-1						
TOLERANCES UNLESS OTHERWISE SPECIFIED				appr	Koon-Poh Tay	2018/01/15	product family		rel level			
surface	linear	0.X	±	Amphenol FCI				2.5" 12G SAS PLUG Z-HT. 3.05		dwg no 10128658		rev B
		0.XX	±0.10									
	0.XXX	±0.100										
	angular	0°	±2°	cat. no.		-	Product - Customer Drw			sheet 3 of 8		

PRODUCT NO.
SEE TABLE



SECTION K-K
SCALE 5:1

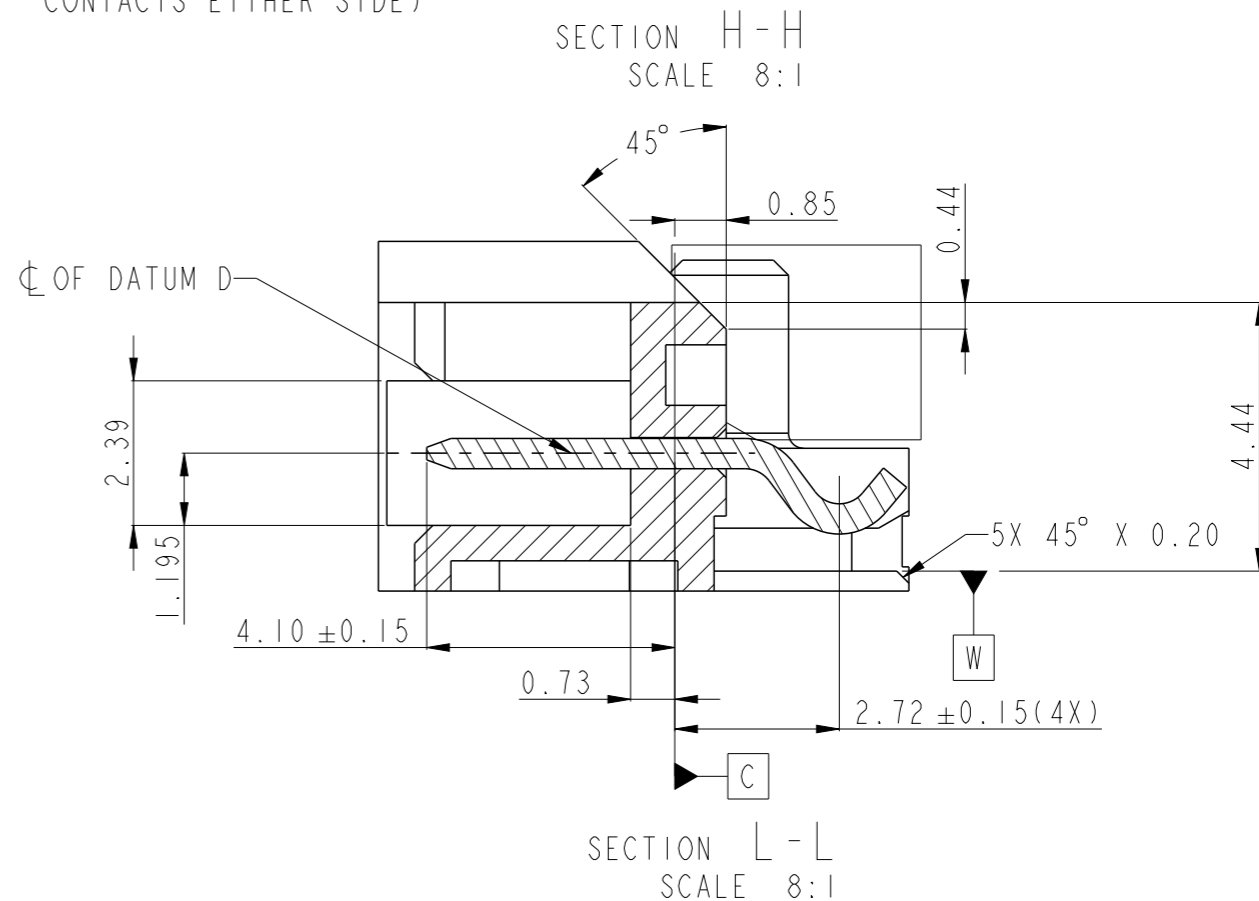
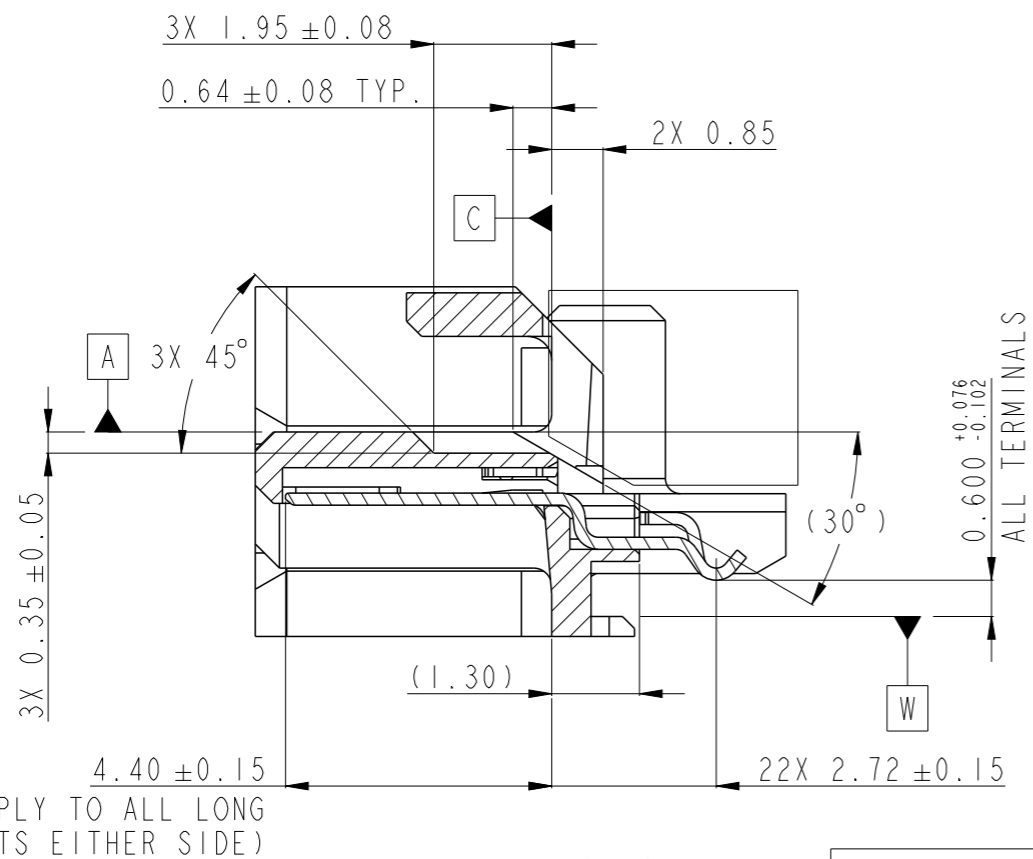
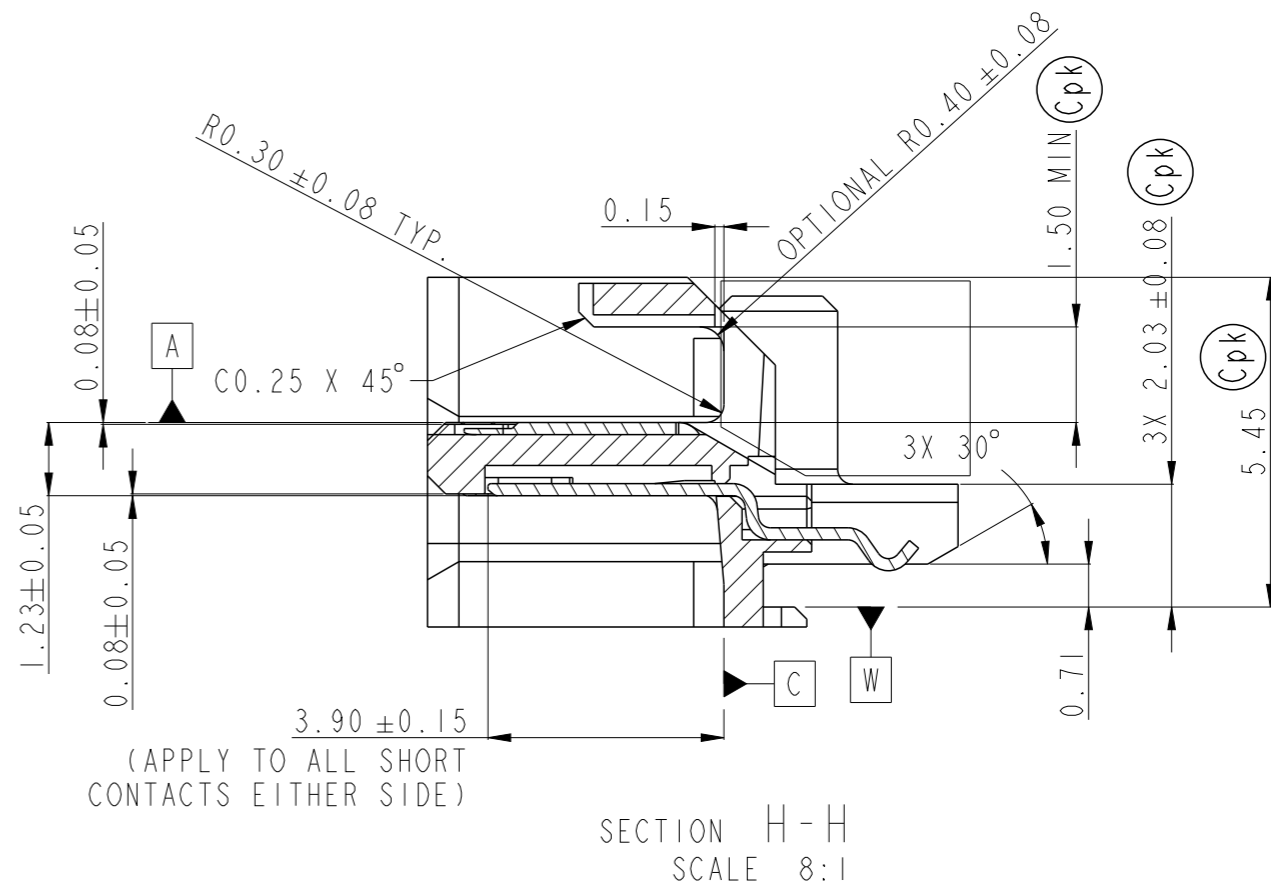
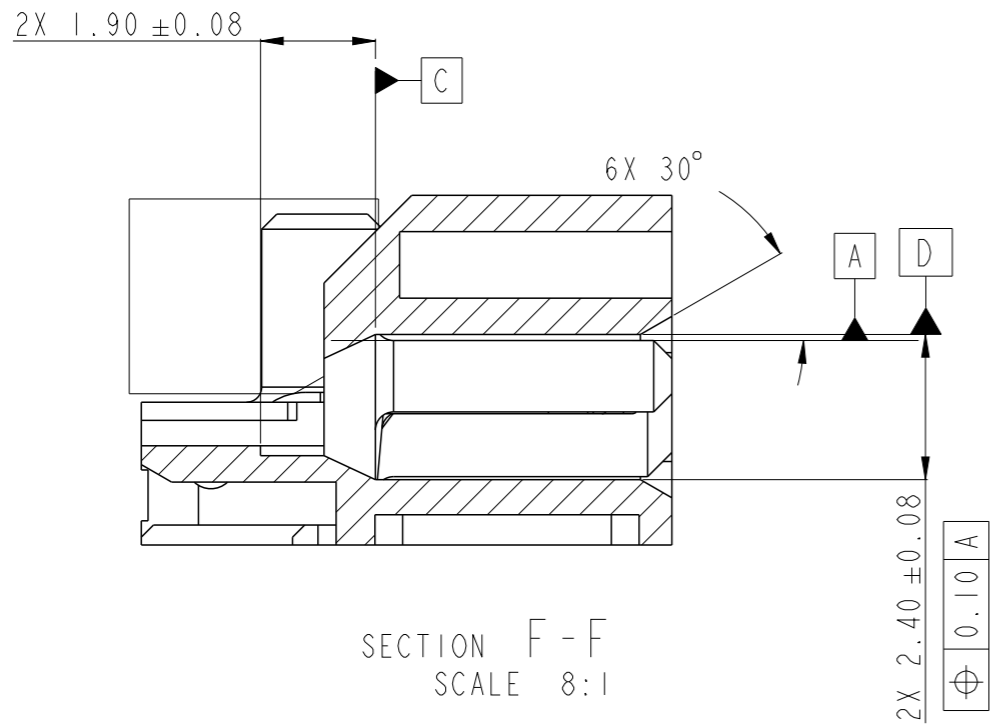


Amphenol
FCi

© 2016 AFCI

spec ref	dr	Jeffrey Lim	2014/04/01	projection	MM	size	A3	scale	4:1
tolerance std	eng	Jeffrey Lim	2018/01/05			ecn no	ELX-S-28927-1	rel level	Released
ASME Y14.5	chr	-	product family						
surface	linear	0.X	±	Amphenol FCi		2.5" 12G SAS PLUG Z-HT. 3.05	dwg no 10128658	rev B	
		0.XX	±0.10						
		0.XXX	±0.100	cat. no.	-	Product - Customer Drw	sheet 4 of 8		
	angular	0°	±2°						

PRODUCT NO.
SEE TABLE

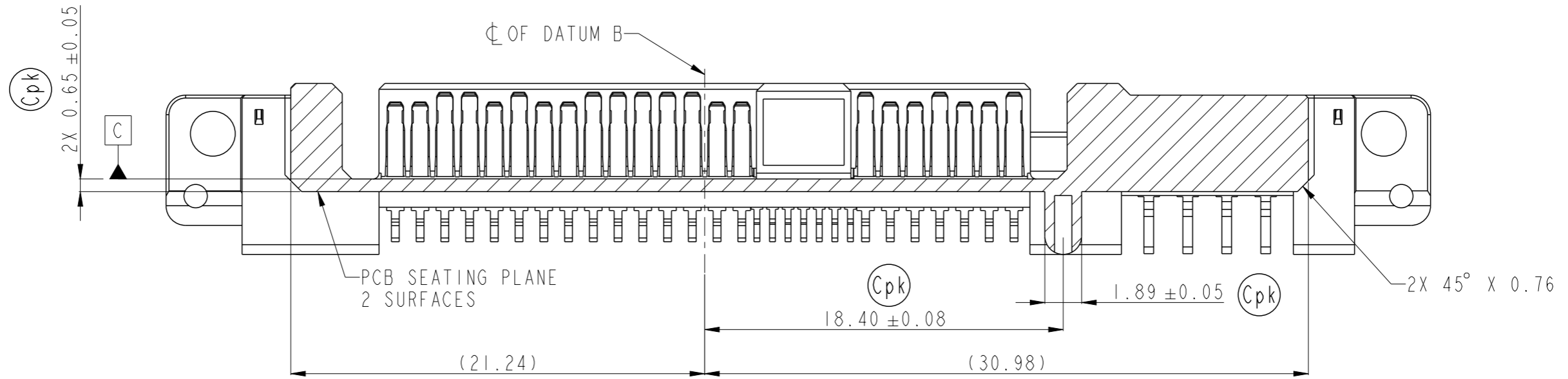


Amphenol
FCi

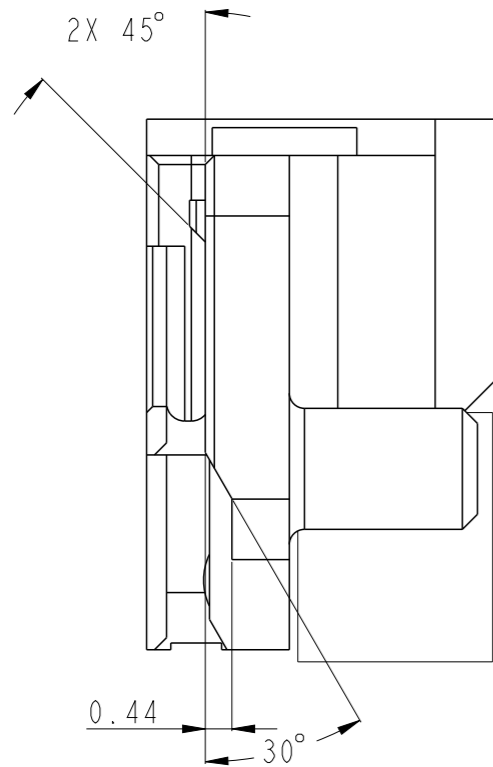
© 2016 AFCI

spec ref	dr	Jeffrey Lim	2014/04/01	projection	MM	size	A3	scale	4:1
tolerance std	eng	Jeffrey Lim	2018/01/05			ecn no	ELX-S-28927-1	rel level	Released
ASME Y14.5	chr	-	-						
surface	linear	0.X	±	Amphenol FCi	title 2.5" 12G SAS PLUG Z-HT. 3.05	dwg no 10128658	rev B	Product - Customer Drw	
		0.XX	±0.10						
0.XXX	±0.100								
	angular	0°	±2°	cat. no.	-	sheet 5 of 8			

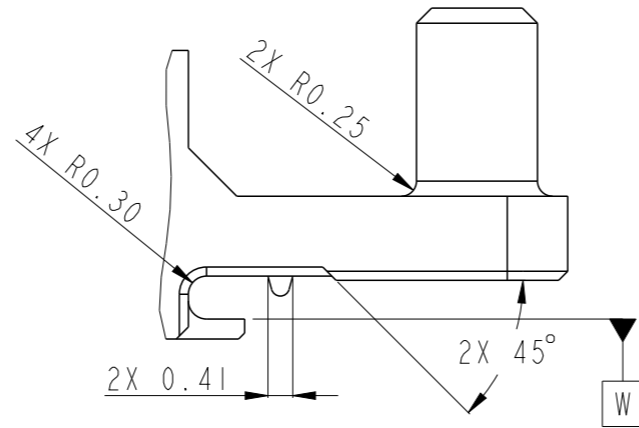
PRODUCT NO.
SEE TABLE



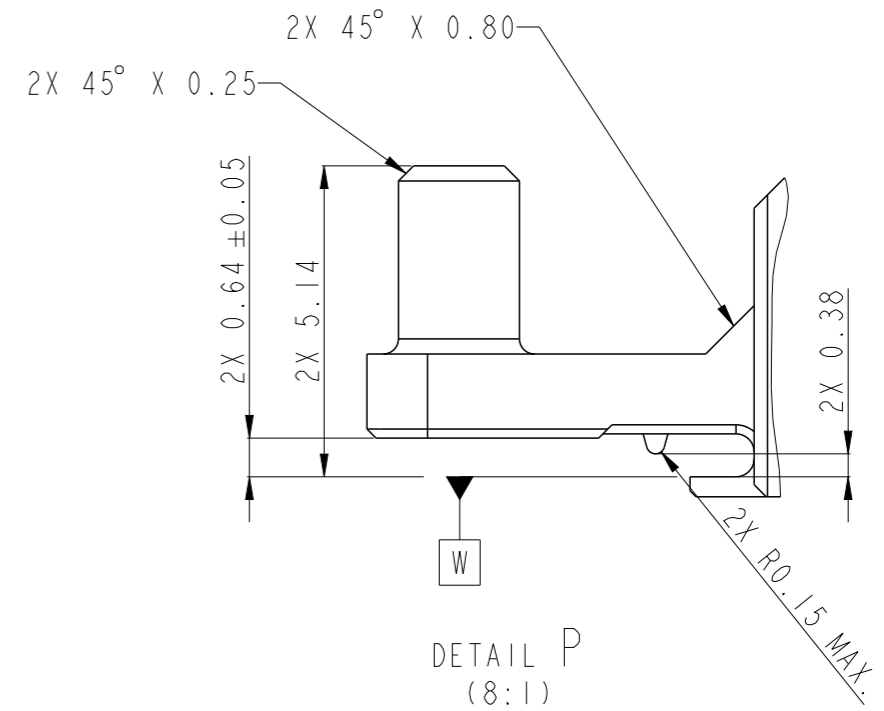
SECTION G-G



SCALE 8:1




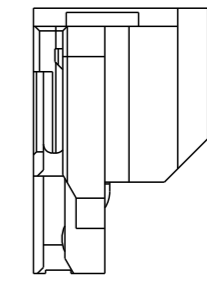
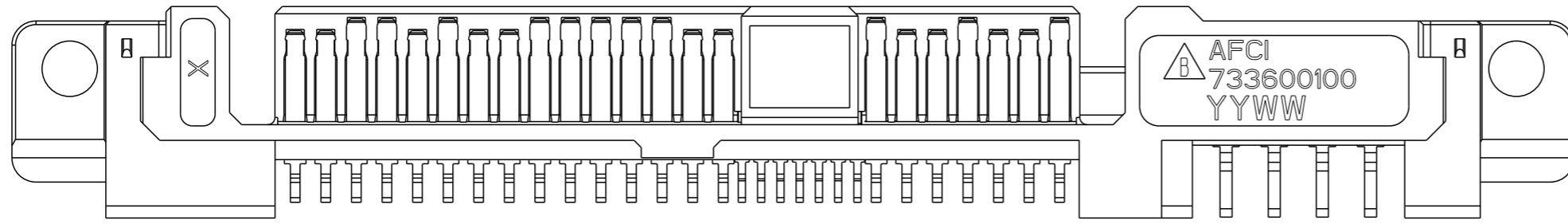
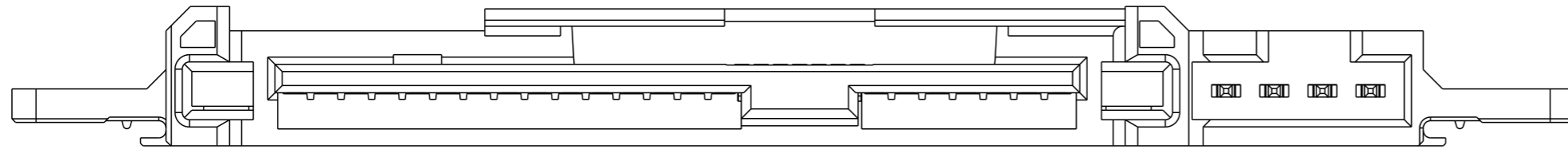
DETAIL N
(8:1)




DETAIL P
(8:1)

spec ref	dr	Jeffrey Lim	2014/04/01	projection	MM	size	A3	scale	4:1
tolerance std	eng	Jeffrey Lim	2018/01/05			ecn no	ELX-S-28927-1		
ASME Y14.5	chr	-	-			rel level	Released		
surface	linear	0.X	±	Amphenol FCI	title 2.5" 12G SAS PLUG Z-HT. 3.05	dwg no 10128658	rev B	cat. no. - Product - Customer Drw sheet 6 of 8	
		0.XX	±0.10						
		0.XXX	±0.100						
	angular	0°	±2°						

PRODUCT NO.
10128658-002LF 

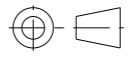


SCALE 4:1

 DIFFERENCE OF -002LF WITH RESPECT TO -001LF IS WITHOUT THE TWO LOCATOR POSTS AND ITS BENEATH BLIND CORING. NEW COMPANY LOGO AND CUSTOMER P/N. FOR MORE DIMENSIONS, REFER TO -001LF

Amphenol
FCi

© 2016 AFCI

spec ref		dr Jeffrey Lim		2014/04/01		projection		MM		size A3		scale 1:1					
tolerance std		eng Jeffrey Lim		2018/01/05				← →		ecn no		ELX-S-28927-1					
ASME Y14.5		chr -		-						product family		-		rel level		Released	
surface		linear		0.X		± -		Amphenol FCi		2.5" 12G SAS PLUG		dwg no		10128658		rev	
				0.XX		±0.10											
				0.XXX		±0.100											
		angular		0°		±2°		cat. no.		-		Product - Customer Drw		sheet 7 of 8			