

PLUG KIT PART NUMBER
SEE TABLE

OCTIS PLUG KIT, 3 POS POWER FIELD TERMINABLE, 26 MM PITCH

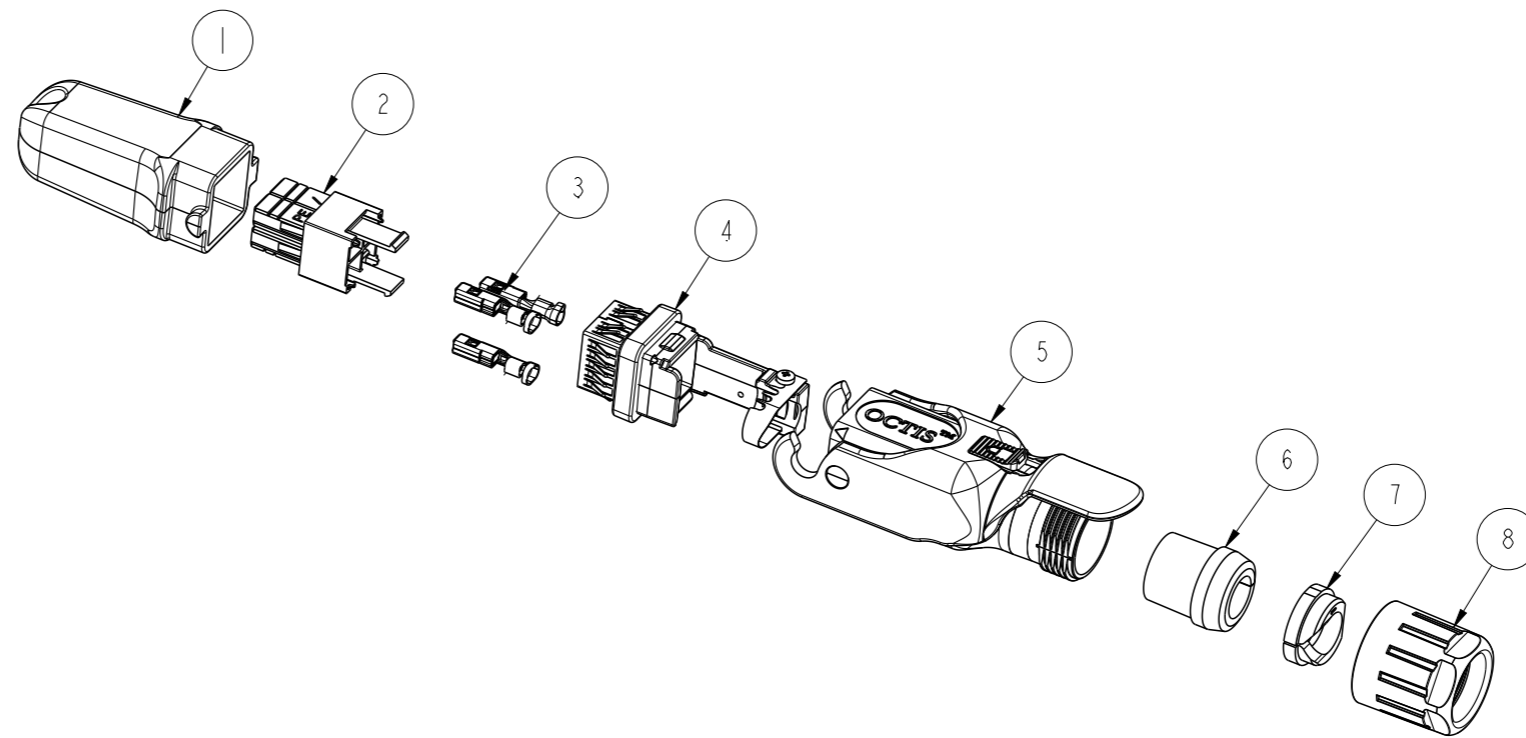


TABLE 1

BOM OF CABLE CONNECTOR KIT P/N : 10139481-102NLF / 10139481-103NLF				
SL NO.	COMPONENT	MATERIALS	QTY/KIT	REMARKS
1	PLUG CAP	PBT GF	1	-
2	CABLE CONNECTOR HOUSING	PBT GF	1	-
3	FEMALE POWER CONTACT	COPPER ALLOY	3	-
4	HOLDER SUBSET KIT	ZAMAK+STAINLESS STEEL+SILICONE	1	PASSIVATED
5	HOUSING SUBSET KIT	IXEF+PBT GF	1	-
6	SPLIT RUBBER GLAND	SILICONE	1	SEE TABLE 2 IN PAGE 2
7	TIGHTENING CONE	PA	1	-
8	GLAND NUT	PBT GF	1	COLOUR PURPLE

spec ref	dr	Jibin John	2017/03/30	projection	mm	size	A3	scale	1:1
tolerance std	eng	Dhanesh A-G	2018/09/26			ecn no	ELX-I-31354-1	rel level	Released
ISO 406 ISO 1101	chr	-	-						
surface	appr	K-Paul Biju	2018/09/28						
ISO 1302	Amphenol FCI		OCTIS PLUG KIT- 3 POS PWR FIELD TERMINABLE, 26 MM PITCH		dwg no	10139481N		rev	B
linear	cat. no.		-		Product - Customer Drw		sheet 1 of 2		
angular	0°		±2°						

1

2

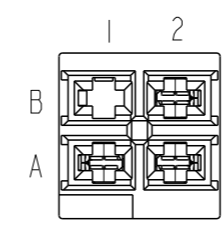
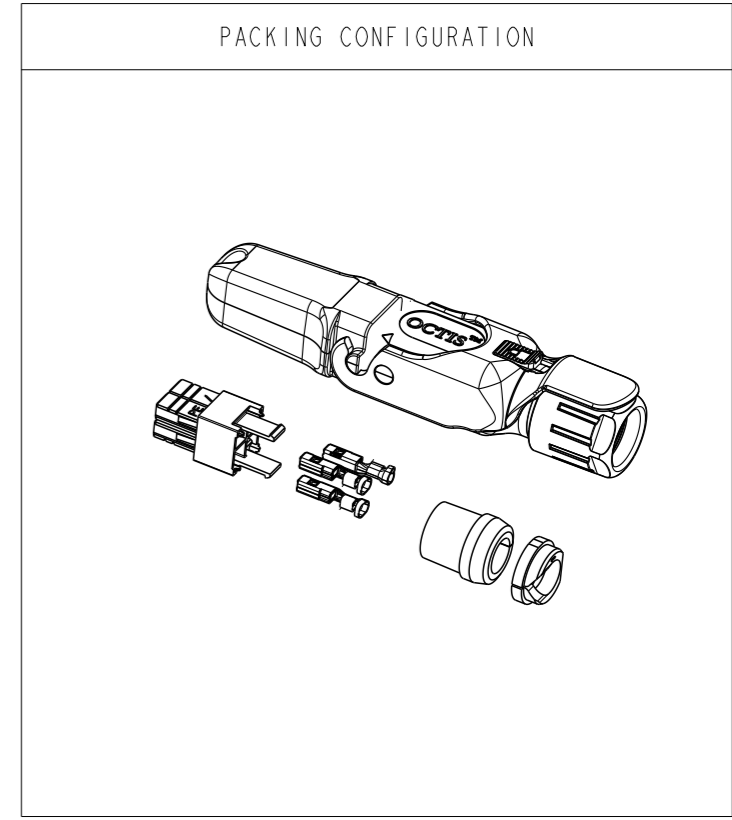
3

4

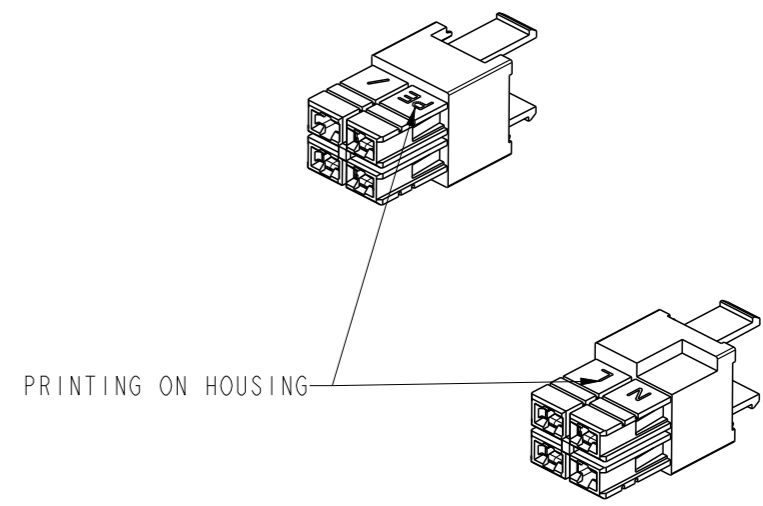
A

TABLE 2

CABLE CONNECTOR KIT P/N	ROW	COLUMN		WIRE DIA	REMARKS
		1	2		
10139481-102NLF	B	-	X	1.5 SQ MM-2.5 SQ MM (AWG 16- AWG 14)	USE 10mm SPLIT RUBBER GLAND
	A	X	X		
10139481-103NLF	B	-	X	1.5 SQ MM-2.5 SQ MM (AWG 16- AWG 14)	USE 8mm SPLIT RUBBER GLAND
	A	X	X		



CONNECTOR FRONT VIEW



Amphenol FCI

© 2016 AFCI

D

spec ref		dr	Jibin John	2017/03/30	projection	mm	size	A3	scale	1:1
tolerance std		eng	Dhanesh A-G	2018/09/26			ecn no		ELX-I-31354-1	
ISO 406 ISO 1101		chr	-	-			rel level		Released	
TOLERANCES UNLESS OTHERWISE SPECIFIED		appr	K-Paul Biju	2018/09/28	product family		OCTIS		rev	
surface		linear	0.X	±0.3		OCTIS PLUG KIT- 3 POS PWR		dwg no	10139481N	
			0.XX	±0.13		FIELD TERMINABLE, 26 MM PITCH			rev	B
			0.XXX	±0.050		cat. no.				
ISO 1302	angular	0°	±2°	-		Product - Customer Drw		sheet 2 of 2		

2

3

PDS: Rev :B

STATUS:Released

Printed: Sep 28, 2018