



## TRICAN HTD2800

### Digital Combination Sensor Module

- Combination sensor for relative humidity, temperature and pressure measurement
- Three different power supplies available: 5V, 12V, or 24V
- Optimized design for high RH, high T°C environment
- Digital output as per J1939, CAN2.0
- Rugged, automotive-grade sensor
- High resistance to chemicals
- Customizable CAN frame
- Optional output for NOx humidity correction factor

The TRICAN HTD2800 digital combination sensor provides output signals for relative humidity, temperature and pressure from a single device. The highly rugged and reliable automotive-grade design of the TRICAN is suited for automotive, truck/bus and fuel cell applications where performance is key.

The TRICAN is optimized to provide accurate measurements and fast response times for systems where repeated long-term immersion in high humidity and high temperature environments is required. With measurements delivered as a digital output on a CAN bus, the TRICAN sensor provides exceptional value, proven reliability and accurate performance from a brand you can trust.

### FEATURES

- Power supply 5V, 12V or 24V
- Digital output on a CAN bus
- Rugged construction for harsh environments with proven reliability and accurate performance
- Fast response time even in saturated humidity environment

### APPLICATIONS

- Low power engine and fuel cell monitoring
- High humidity and high temperature environments
- Applications with signal noise and interference

## TRICAN HTD2800

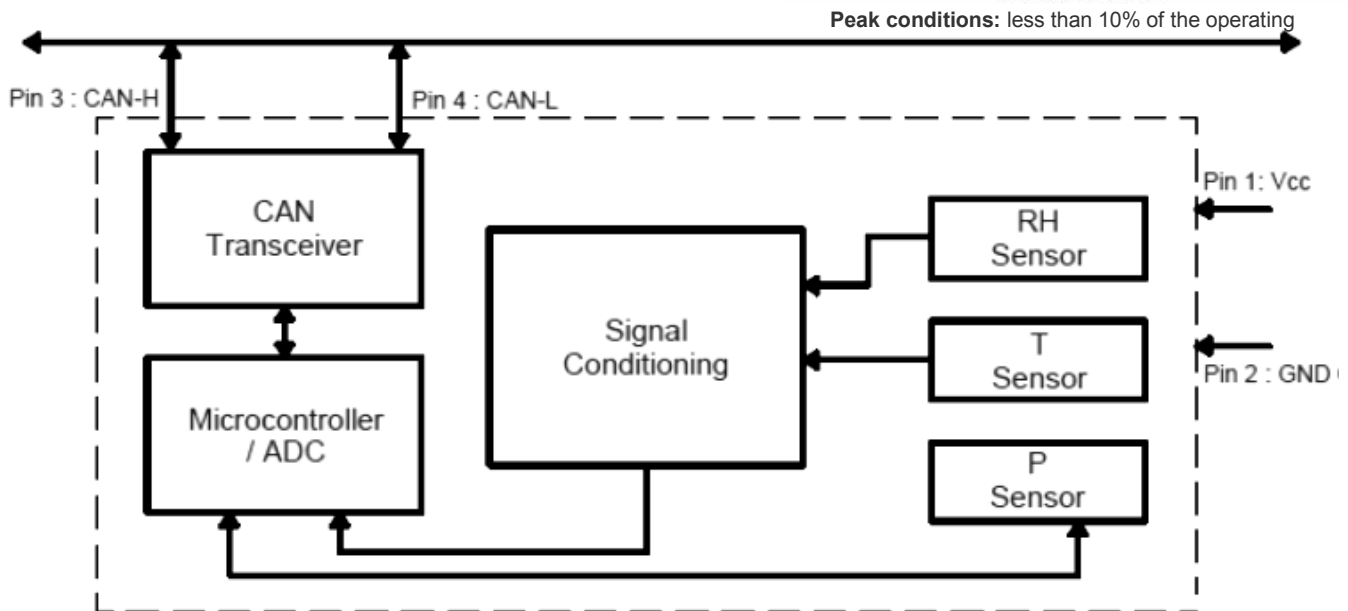
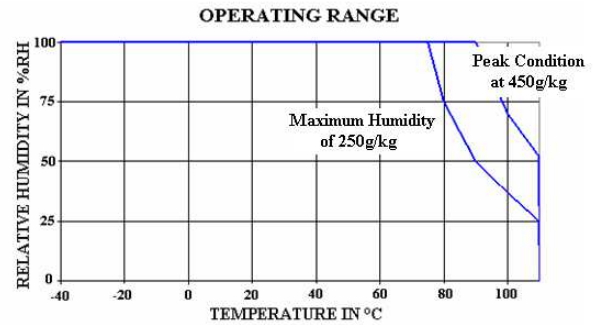
Combination Humidity, Temperature and Pressure Sensor

## PERFORMANCE SPECS

### MAXIMUM RATINGS

Ratings	Symbol	Value	Unit
Storage Temperature	Tstg	-40 to +125	°C
Humidity Operating Range	RH	0 to 100	%RH
Temperature Operating Range*	Ta	-40 to +105	°C
Max Pressure (Burst)	Pabs	130	kPa

\* At the tip of the sensor



### BLOCK DIAGRAM

### CHARACTERISTICS

(@T=23°C)

Electrical Characteristics	Symbol	Min	Typ	Max	Unit
Voltage supply (Vbatt)	V	4.5	5 (At 5V)	5.5	VDC
		8	12 (At 12V)	32	
		8	24 (At 24V)	32	
Current consumption	mA	-	10 (At 5V)	130	mA
		-	15 (At 12V)	100	
		-	20 (At 24V)	104	
Sink current capability	mA	-	150	-	mA

**TRICAN HTD2800**

Combination Humidity, Temperature and Pressure Sensor

<b>CAN Bus Timing</b>	<b>Symbol</b>	<b>Min</b>	<b>Typ</b>	<b>Max</b>	<b>Unit</b>
Bit time	μs	3.999	4	4.001	μs
CAN_H CAN_L slew rate	V/μs		7		V/μs

<b>CAN_H &amp; CANL limiting values</b>	<b>Symbol</b>	<b>Min</b>	<b>Typ</b>	<b>Max</b>	<b>Unit</b>
DC voltage at CAN_L		-36		+36	V
DC voltage at CAN_H		-36		+36	V
Transient voltage on CAN_H & CAN_L		-200		+200	V

<b>DC Bus Receiver*</b>	<b>Symbol</b>	<b>Min</b>	<b>Typ</b>	<b>Max</b>	<b>Unit</b>
Differential input voltage (recessive)		-1.0		+0.5	V
Differential input voltage (dominant)		0.9		5.0	V
Differential input hysteresis		-	150	-	mV
CAN_H, CAN_L input resistance		5		25	Kohm
Differential input resistance		20		100	Kohm

\* (Transceiver Vcc 4,5 to 5,5V ; RL = 60 ohm)

<b>Humidity Characteristics</b>	<b>Symbol</b>	<b>Min</b>	<b>Typ</b>	<b>Max</b>	<b>Unit</b>
Humidity Measuring Range	RH	0		100	%RH
Relative Humidity Accuracy (10% to 95%RH)			±3	±5	%RH
Relative humidity Resolution			0.4		%RH
Time Constant (at 63% of signal) 33%RH to 75%RH <sup>(1)</sup>	τ		5	10	s
Humidity hysteresis			±1		%RH
Time Constant (at 63% of signal) 33%RH to 75%RH <sup>(1)</sup>	τ		5	10	s
Long term stability			±0.5		%RH /Yr

<b>Pressure</b>	<b>Symbol</b>	<b>Min</b>	<b>Typ</b>	<b>Max</b>	<b>Unit</b>
Absolute pressure measuring range	kPa	1	-	250	kPa
Pressure measuring range with full accuracy guaranteed	kPa	30		130	kPa
Pressure accuracy			±1	±1.5	%FS
Pressure resolution			±0.5		kPa
Time Constant	τ		1		s
Long term stability			±0.5		kPa /Yr

<b>Temperature Characteristics</b>	<b>Symbol</b>	<b>Min</b>	<b>Typ</b>	<b>Max</b>	<b>Unit</b>
Temperature measuring range	T <sub>a</sub>	-40		105	°C
Temperature accuracy			±0.5	±1.5	°C
Time Constant <sup>(1)</sup>	τ		10		S
Long term stability			±0.3		°C/Yr

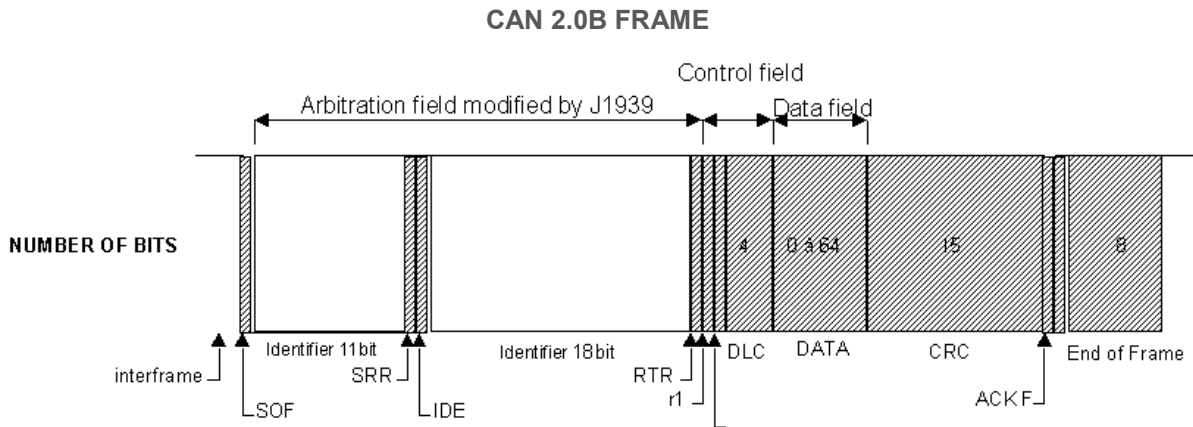
(1) At 2m/s air flow

**CAN BUS INTERFACE**

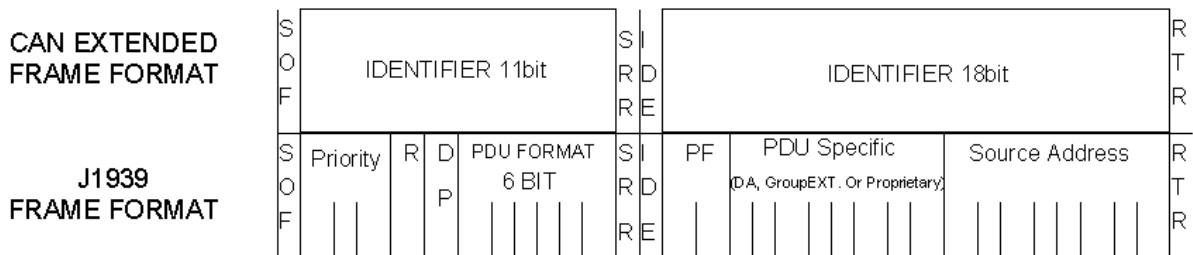
The system is J1939 Standard compliant. The system delivers temperature (SPN 1172), inlet pressure (SPN 1176), relative humidity (SPN 354) and Specific Humidity (SPN4490).

Identifier, transmission repetition rate, data length, ranges, and resolutions are defined by J1939 or specified by customer. Optional and customizable output for Dew point through internal calculation in accordance with EPA methodology is also available.

**CAN 2.0B/J1939 FRAME DESCRIPTION**



**ARBITRATION / IDENTIFICATION FIELD**



**TRICAN HTD2800P1B11C6 STANDARD SPN**

Inlet pressure	SPN 1176	Data length	2 byte
		Resolution	0,1KPa/bit gain, -250 KPa offset
		Data range	-250kPa to 251,99 kPa
Relative humidity	SPN 354	Data length	1 byte
		Resolution	0.4%RH/bit gain, 0%RH offset
		Data range	0 to 100%RH
Specific humidity	SPN 4490	Data length	2 byte
		Resolution	0.01 g/kg, 0 g/kg offset
		Data range	0 to 642.55 g/kg
Air inlet temperature	SPN 1172	Data length	2 byte
		Resolution	0,03125°C/bit gain, -273°C offset
		Data range	-273 to1735°C

**SELF DIAGNOSTIC CAPABILITES**

Optional and customizable diagnostic byte can be implemented

- Pressure failure sensor (no communication or internal CRC issues)
- Pressure failure sensor (out of range issue)
- Temperature sensor circuit - voltage above normal
- Temperature sensor circuit - voltage below normal
- Humidity sensor circuit - voltage above normal
- Humidity sensor circuit - voltage below normal
- Sensor controller over temperature conditions (105°C)
- SH internal computation / calculation out of range or wrong CRC value

**SAE J1939-21 REQUEST**

Optional and customizable answers to SAE J1939-21 request can be implemented

- Address claim (PGN 60928)
- Software identification (PGN 65242)
- Calibration information DM19 (PGN 54016)
- Status code message (PGN TBD)

# TRICAN HTD2800

Combination Humidity, Temperature and Pressure Sensor

## CONNECTOR CHARACTERISTICS

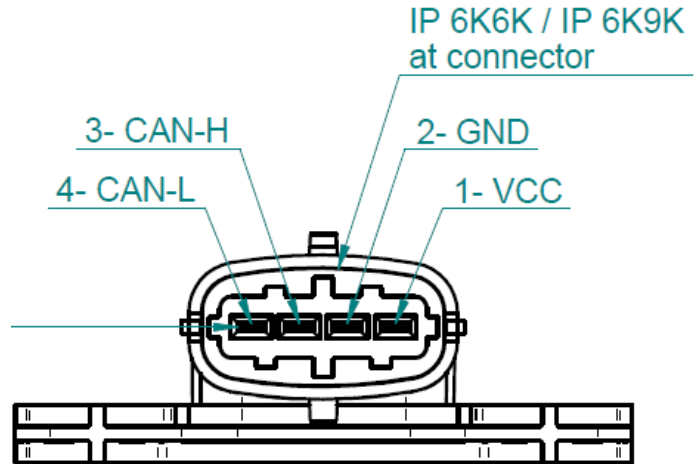
### HTD2800P1B11C6

Connector Type: Customizable upon request

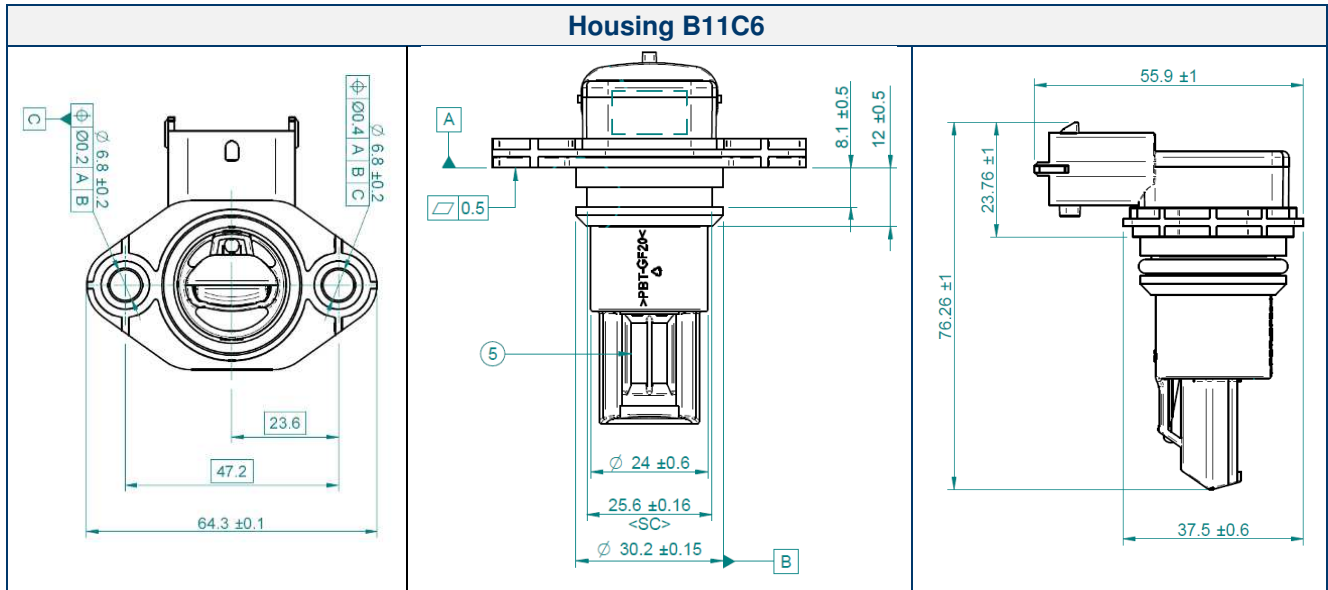
Bosch mating connector: 1 928 403 736  
 Recommended contacts: 1 928 498 054

Signal	Pin
VCC	1
GND	2
CANH	3
CANL	4

Pin contact



## MECHANICAL CHARACTERISTICS



Recommended Screw Mounting: M6; Typical tightening torque: 12 N.m ; Maximum tightening torque: 17 N.m