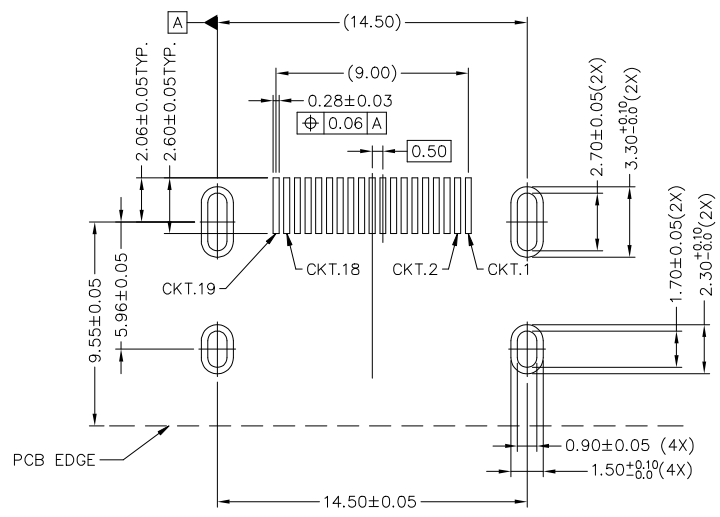
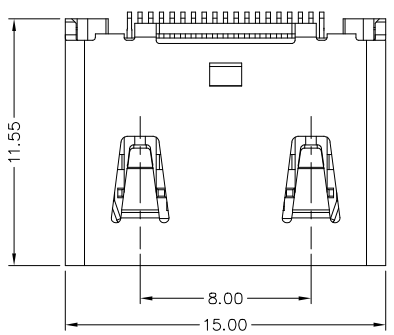
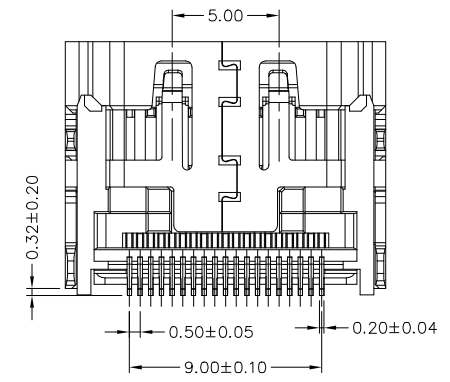
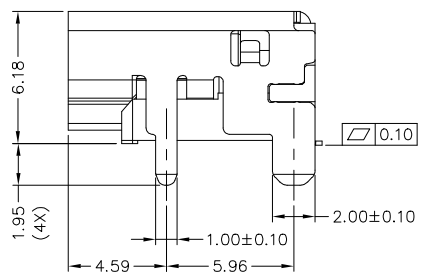
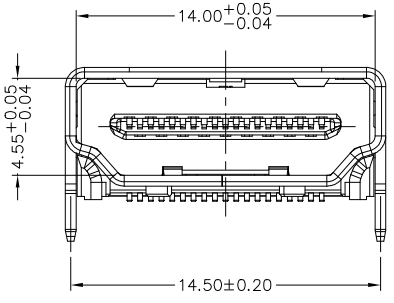


NOTES:
 1.MATERIAL AND FINISH SEE THE TABLE.
 2.MECHANICAL CHARACTERISTICS
 INSERTION FORCE: 44.1N MAX
 EXTROCTION FORCE: 9.8N MIN, 39.2N MAX
 MATING CYCLE:10000 CYCLES
 3.ELECTRICAL CHARACTERISTICS
 RATING CURRENT: 0.5A
 RATING VOLTAGE: 40V
 CONTACT RESISTANCE: 10 MILLOHMS OHMS MAX
 (EXCLDUING CONDUCTOR RESISTANCE)
 INSULATION RESISTANCE:
 a, UNMATED: 100M OHMS MIN AT 500 VDC
 b, MATED: 10M OHMS MIN AT 150 VDC
 DIELECTRIC WITHSTANDING VOLTAGE:
 500V AC/1MINUTE
 OPERATING TEMPERATURE: -20°C+85°C
 STORAGE TEMPERATURE: -20°C+65°C
 4.PRODUCT SPECIFICATION: GS-12-1552
 5.ORDERING CODE: 10154382-0 0 X X LF



RECOMMENDED PCB LAYOUT
 CONNECTOR SIDE(TOP VIEW)



CONTACT FINISH
 1: Contact area Au 30u''+
 Solder area Tin 50u''
 2: Contact area Au 30u''+
 Solder area Gold Flash
 3: Contact area Au G/F+
 Solder area Tin 50u''
 4: Contact area Au 5u''+
 Solder area Tin 50u''
 5: Contact area Au 15u''+
 Solder area Tin 50u''

PACKAGE
 1: TAPE&REEL

CONTACT	C2680,T=0.20	UNDER PLATED 50u'' MIN.NICKEL GOLD SEE ORDERING CODE
SHELL	C2680,T=0.50	50u'' MIN, NICKEL
HOUSING	LCP,UL94V-0	
COMPONENTS	MATERIAL	PLATING

mat'l. code		surface	tolerance	projection	product family
		ISO 1302 ✓	ISO 406 ISO	1101	HDMI
ltr	ecn no	dr	date	tolerances unless otherwise specified	title
A	New Release	Jason	2019-11-21	angles	HDMI A TYPE 19P/SMT
B	ELX-N-35569	Jason	2019-12-6	linear	
				0°±x'	scale 1:1
		dr	Jason Wang	2019-08-20	
		engr	Jason Wang	2019-12-6	
		chr	-	-	
		appd	TIM YAO	2019-12-6	
sheet index	revision	B			dwg no
	sheet	1			sheet 1 of 1
					size
					A3
					type
					Product Customer Drawing

Amphenol
 FCI

© 2016 AFCI