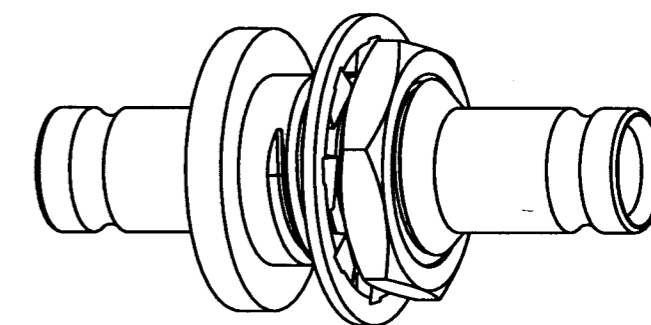


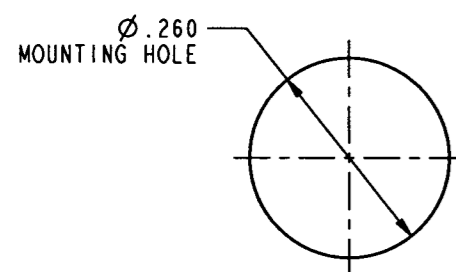
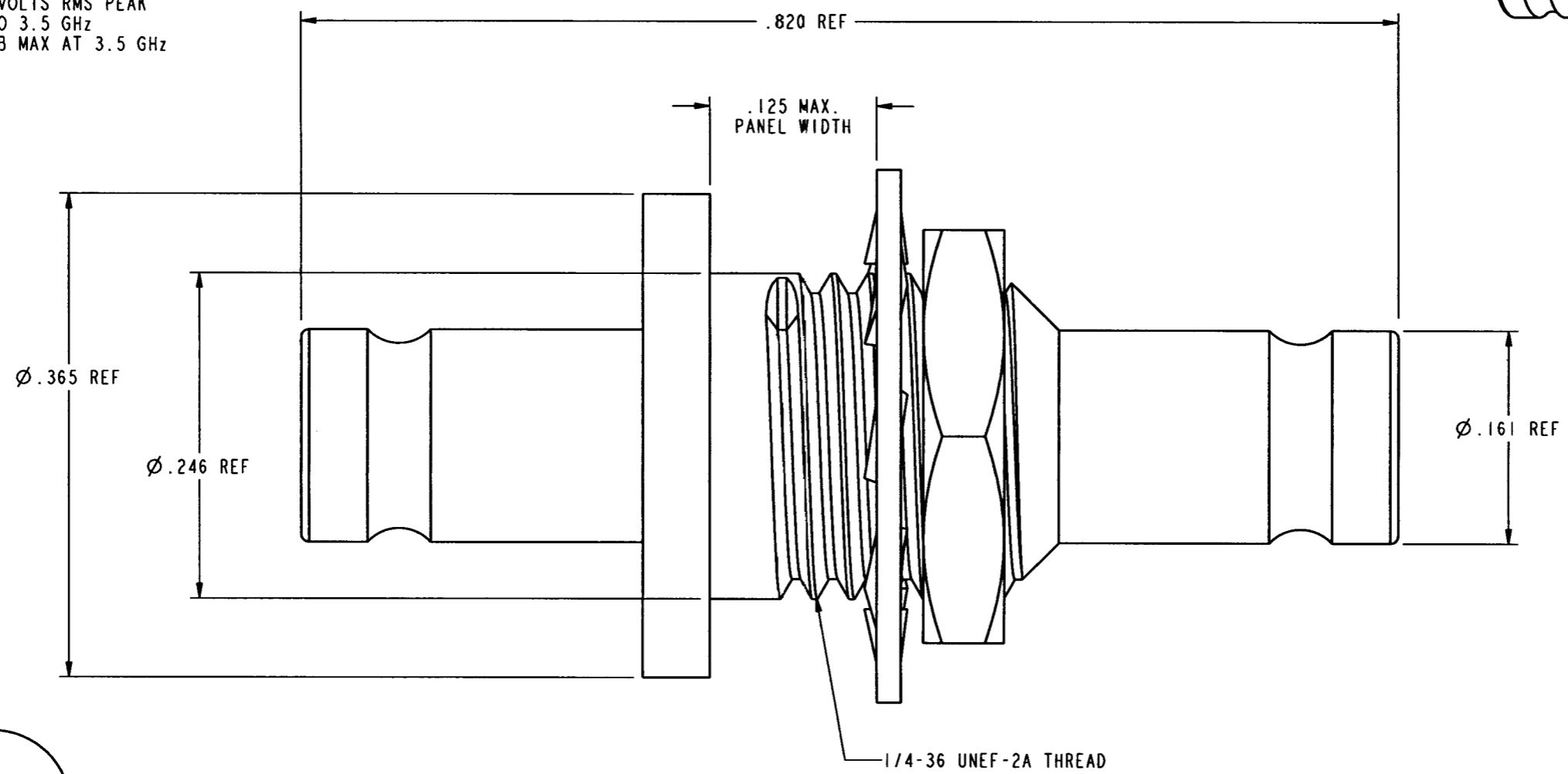
NOTES:

- MATERIALS AND FINISHES:
 CONTACT: BERYLLIUM COPPER, GOLD PLATED
 INSULATOR: PTFE
 BODY: BRASS, GOLD PLATED
 HEX-NUT AND LOCKWASHER: BRASS, NICKEL PLATED
- MECHANICAL SPECIFICATIONS:
 MATING CYCLES: MINIMUM 500
- ELECTRICAL SPECIFICATIONS:
 IMPEDANCE: 50 OHMS
 VOLTAGE RATING: 500 VOLTS RMS PEAK
 VSWR: 1.07 MAX. DC TO 3.5 GHz
 INSERTION LOSS: .3 dB MAX AT 3.5 GHz

102-100-01		REVISIONS			
DRAWING NO.	REV	DESCRIPTION	DATE	ECO	APPR
THIRD ANGLE PROJ.	A	RELEASE TO MFG.	06/01/00	43401	C.A.
	C	SEE SHEET 1	10/13/00	43545	CPM



SCALE 4.000



SCALE 4.000

CUSTOMER OUTLINE DRAWING
FOR REFERENCE ONLY

UNLESS OTHERWISE SPECIFIED, DIMENSIONS ARE IN INCHES AND TOLERANCES ARE: 2 PLACE DECIMAL ±.015 (0,381 mm) 3 PLACE DECIMAL ±.005 (0,127 mm) ANGLES ± 1°	MATERIAL	DRAWN CARLOS ATHERTON	DATE 01-JUNE-00	TITLE 1.0/2.3 JACK/JACK ADAPTER ASS'Y	Amphenol Amphenol Corporation Communication and Network Products Division Danbury, CT U.S.A. 06810 SCALE: 9.0:1 SHEET 2 OF 2
	REFERENCE EAR 967533 0	ENGINEER CARLOS ATHERTON	DATE 01-JUNE-00		
NOTICE - These drawings, specifications, or other data (1) are, and remain the property of Amphenol Corp. (2) must be returned upon request; and (3) are confidential and not to be disclosed to any person other than those to whom they are given by Amphenol Corp. The furnishing of these drawings, specifications, or other data by Amphenol Corp., or to any other person to anyone for any purpose is not to be regarded by implication or otherwise in any manner licensing, granting rights or permitting such holder or any other person to manufacture, use or sell any product, process or design, patented or otherwise, that may in any way be related to or disclosed by said drawings, specifications, or other data.		APPROVED T. AUBIN	DATE 06-JUNE-00		
		CAD FILE I:\1023\102-100-01	CODE ID 74868	DWG SIZE B	DRAWING NO. 102-100-01